

HD4UH

ULTRA WIDE DYNAMIC VFAI LENS TRUE DAY/NIGHT INDOOR/OUTDOOR MINI DOME CAMERA

Honeywell's 960H System Series of cameras provides a wide range of high-quality, feature-rich video surveillance options for indoor, outdoor, and low-light applications.

Superior Image Quality

- 1/3" 1.3 megapixel CMOS image sensor
- Ultra high resolution image (800 TVL)
- Ultra wide dynamic range (120 dB max.)
- 3D digital noise reduction
- Backlight compensation and highlight masking
- 2.8–12 mm varifocal auto iris (VFAI) lens

24-Hour Surveillance

- True Day/Night with removable IR cut filter for vivid color pictures by day and clear black-and-white pictures at night
- Excellent low-light performance (0.14 lux color, 0.03 lux b/w)

Dependable Performance in Variable Light Conditions

- Weatherproof, impact-resistant housing (IP66)
- Built-in heater for cold weather operation down to -40°F (-40°C)
- Breather vent prevents condensation buildup

Easy Installation

- Compact design for fast, easy installation
- Camera converts easily to a surface or flush mount for direct installation to a ceiling or wall
- 3-axis rotation for precise camera positioning
- Second video output and on-board OSD controller for on-site adjustments
- Optional wall or pendant mounts available

Market Opportunities

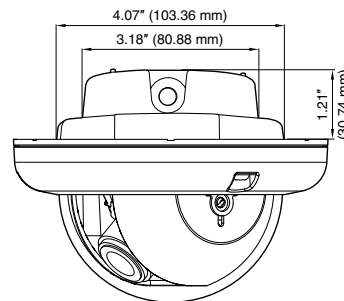
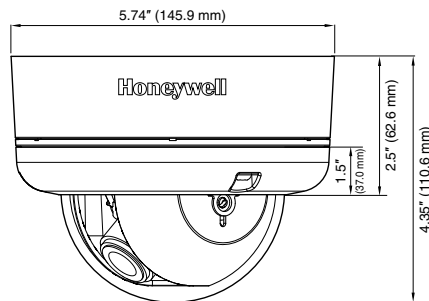
The HD4UH offers superb picture quality, true color reproduction, and enhanced low-light performance, making it the ideal solution for a range of indoor and outdoor surveillance applications including airports, university campuses, hospitals, schools, and government and commercial buildings.



SPECIFICATIONS

Operational	
Video Standard	NTSC
Image Sensor	1/3" 1.3 MP CMOS
Number of Pixels (HxV)	1280 x 1024
Minimum Illumination	Color: 0.14 lux @ F1.4, 30 IRE B/W: 0.03 lux @ F1.4, 30 IRE
Horizontal Resolution	800 TVL
Video Output	1.0 Vp-p, composite @ 75 ohms
Sync System	Internal
S/N Ratio	55 dB or more (AGC off)
Auto Gain Control	Low/Mid/High/Custom
Automatic Electronic Shutter	1/60 to 1/60,000 s
Lens Type	2.8–12 mm, VFAI, F1.4
Gamma	0.45
Sense-Up	x2 to x32
3D DNR	Off/Low/Mid/High
Motion Detection	4 programmable zones
Privacy Mask	16 programmable zones
White Balance	ATW/AWB/Push/Manual
Wide Dynamic Range	Low/Normal/Mid/High
BLC/HME	Low/Middle/High
WDR/Defog	Auto/Manual

Electrical	
Input Voltage	12 V DC/24 V AC ±10%
Power Consumption	12 V DC: 9.0 W max. (heater on) 24 V AC: 11.5 W max. (heater on)
Mechanical	
Dimensions	5.74 x 4.35 in. (145.9 x 110.6 mm)
Weight	2.5 lb (1.1 kg)
Construction	Housing: Die-cast aluminum Bubble: Polycarbonate
Connectors	Main video: BNC (coax) Aux video: 2-pin connector Power input: 2.1 mm plug
Environmental	
Temperature	Operating: -40°F to 131°F (-40°C to 55°C) Storage: -40°F to 167°F (-40°C to 75°C)
Relative Humidity	10% to 100%, condensing
Rating	IP66
Regulatory	
Emissions	FCC, Part 15B, Class B,
Recommended Accessories	
Housing Mount	
HD4CHIP-WK	Wall Mount Kit
HD4CHIP-PK	Pendant Mount Kit
Power Supply	
HPTV2404UL	24 V AC, 4 A, 4 Output, Fused, UL Listed



ORDERING

Ordering	
HD4UH	Ultra Wide Dynamic TDN Indoor/Outdoor Mini Dome Camera, 1/3" CMOS, 800 TVL, 2.8–12 mm VFAI, 12 V DC/24 V AC, NTSC

NOTE: Honeywell reserves the right, without notification, to make changes in product design or specifications.

For more information:

www.honeywell.com/security

Automation and Control Solutions

Honeywell Security Products Americas
2700 Blankenbaker Pkwy, Suite 150
Louisville, KY 40299
1.800.323.4576
www.honeywell.com