

PERFORMANCE SERIES

HBW4PER2V



Network WDR 4MP IR Bullet Camera

OPERATIONAL	
Video Standard	NTSC / PAL
Scanning System	Progressive
Image Sensor	1 / 3" 4 Megapixel progressive CMOS
Number Of Pixels(H x V)	2688 x 1520
Minimum Illumination	0.005 Lux/F1.5(color,30 IRE), 0 Lux with IR ON
S/N Ratio	More than 55 dB
Electronic Shutter Speed	1 / 3~1 / 100000s
IR Distance	Up to 60m (197 ft), depending on scene reflectance
IR Light Control	Manual / Smart IR / OFF
IR Light Number	4
Day/Night	Auto(ICR) / Color / B&W
Backlight Compensation	BLC / HLC / WDR
Wide Dynamic Range	120 dB
White Balance	Auto / Natural / Street Lamp / Outdoor / Manual / Customized Region
Gain Control	0~100
Noise Reduction	3D DNR
Privacy Masking	Off / On (4 Areas, Rectangle)
Motion Detection	Off / On (4 Zones, Rectangle)
Region Of Interest	Off / On (4 Zones)
Lens	2.7 mm~13.5 mm, Motorized, F1.5
Angle Of View	H: 104°~27°, V: 55°~15°
Alarm Input/Output	1 In; 1 Out
VIDEO	
Compression	H.265 / H.264 / Smart Codec / MJPEG (Sub Stream)
Resolution	4M (2688 x 1520); 3M (2304 x 1296); 1080p (1920 x 1080); 1.3M (1280 x 960); 720p (1280 x 720); D1 (704 x 576/704 x 480); VGA (640 x 480); CIF (352 x 288/352 x 240)
Frame Rate	Main Stream: 2688 x 1520 / 2304 x 1296 / 1920 x 1080 / 1280 x 960 / 1280 x 720@ (1 ~ 25/30 fps) Sub Stream: 704 x 576 / 640 x 480 / 352 x 288@ (1 ~ 25 fps); 704 x 480 / 640 x 480 / 352 x 240@ (1 ~ 30 fps) Third Stream: 1280 x 720 / 704 x 576 / 640 x 480@ (1 ~ 25 fps); 1280 x 720 / 704 x 480 / 640 x 480@ (1 ~ 30 fps)
Bit Rate Control	CBR / VBR
Bit Rate	H.264: 3 kbps~8192 kbps H.265: 3 kbps~8192 kbps
Analytics	Motion Detection, Video Tamper, Scene Change, Smart Motion Detection, Smart Tripwire, Smart Intrusion, Face Detection
AUDIO	
Interface	1 In; 1 Out

NETWORK	
Ethernet	RJ-45 (10 / 100 Base-T)
Supported Web Browsers	Internet Explorer (11.0+)
Supported OS	Windows® 7 32-bit / 64-bit; Windows® 10 32-bit / 64-bit
Protocols*	HTTP; HTTPS; TCP; ARP; RTSP; RTP; RTCP; UDP; SMTP; DHCP; DNS; PPPoE; IPv4/v6; QoS; UPnP; NTP; Bonjour; IEEE 802.1x; Multicast; ICMP; IGMP; TLS
Compatibility	ONVIF Profile S / G / Q / T
Maximum Users Access	20 users
Security	User account and password protection HTTPS, IP Filter, Digest authentication, User access log, TLS1.2 only, AES-128 / 256, SSH / Telnet closed, sFTP by default, PCIDSS compliance
Event	No SD card, SD card error, Capacity warning, Network disconnection, IP conflict, Illegal access
Micro SD	Supports max. 256 GB Micro SD card
ELECTRICAL	
Power Supply	DC12V PoE (802.3 af)(Class 0)
Power Consumption	<9.8W
MECHANICAL	
Dimensions	Ø241.8 mm x 90.7 mm (9.52" x 3.57")
Product Weight	0.95 kg (2.09 lb)
Package Weight	1.16 kg (2.56 lb)
Construction	Die-cast aluminum housing with powder coat
Construction Color	RAL 9003 (White)
ENVIRONMENTAL	
Operating Temperature	-30°C to 60°C (-22°F to 140°F)
Relative Humidity	Less than 95%, non-condensing
Ingress Protection	IP66
REGULATORY	
Emissions	FCC Part 15B, EN55032
Immunity	EN 50130-4
Safety	UL 60950-1, EN 62368-1
RoHS	EN 50581

* Some development may be required in specific user cases to support some of these protocols in the field as they mature over time.

PERFORMANCE SERIES NETWORK WDR 4MP IR BULLET CAMERA

RECOMMENDED ACCESSORIES

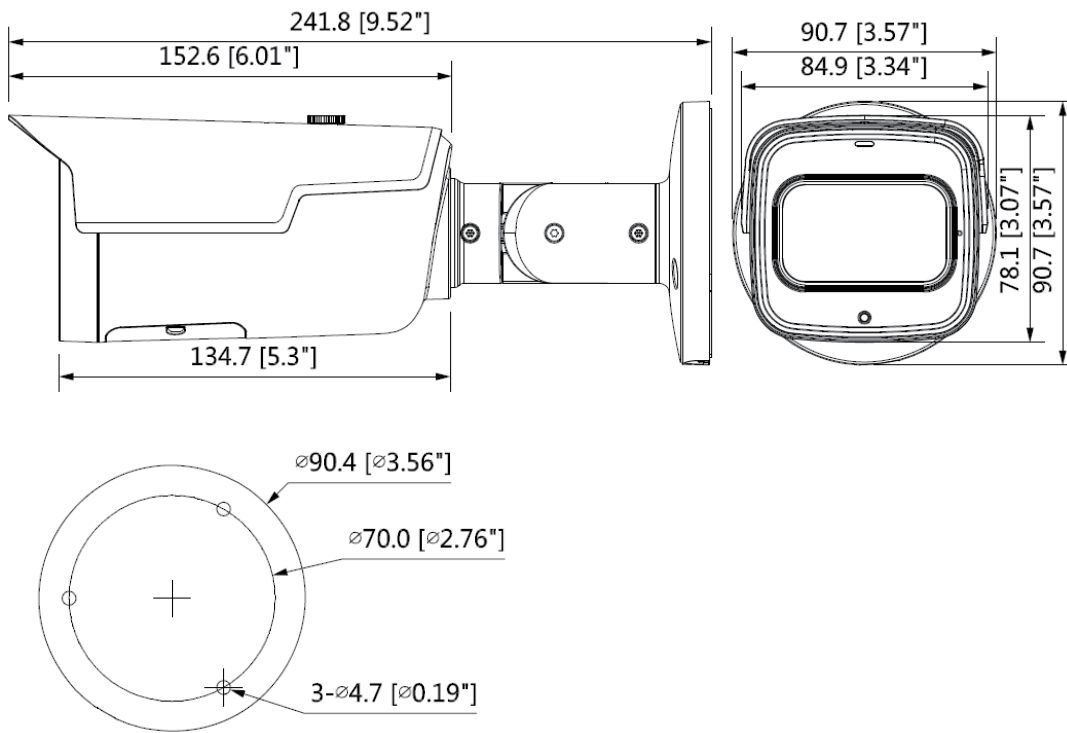
SYSTEM INTEGRATION	
HEN*4	8 / 16 / 32 / 64-Channel Performance Series 4K NVRs (H.264 and H.265)
HEN*3	4 / 8 / 16 / 32-Channel Performance Series 4K NVRs (H.264 and H.265)
HEN*3V	4 / 8 / 16-Channel Embedded NVRs (H.265)

MOUNTS AND ACCESSORIES		
HQA-PM2		Pole Mount Adapter
HBS2-BB**		Junction Box

**The HBS2-BB must be used when installing the camera to HQA-PM2.

ORDERING	
HBW4PER2V	Network WDR 4MP IR Bullet Camera, 1/3.0" CMOS, 2.7mm~13.5 mm Motorized, 4 IR LEDs, PoE, IP66, H.265 / Smart Codec

DIMENSIONS



For more information

www.security.honeywell.com/uk
www.security.honeywell.com/me

Honeywell Commercial Security

Emaar Business Park, Sheikh Zayed Road
 Building No. 2, 2nd floor, 201
 Post Office Box 232362
 Dubai, United Arab Emirates
 Tel: +971 4 450 5800

140 Waterside Road
 Hamilton Industrial Park
 Leicester LE5 1TN
 United Kingdom
 Tel: +44 (0) 1928 378005
www.honeywell.com

ONVIF and the ONVIF logo are trademarks of ONVIF Inc.
 Honeywell reserves the right, without notification, to make changes in product design or specifications.

HSV-HBW4PER2V-01-UK(0921)DS-Y
 © 2021 Honeywell International Inc.

Honeywell