

HB42XD2

TDN 1080p IR Bullet Camera







OPERATIONAL	
VIDEO STANDARD	NTSC/PAL
SCANNING SYSTEM	Progressive scan
IMAGE SENSOR	1/2.8" 2.1 MP CMOS
NUMBER OF PIXELS (H x V)	1937x1097
MINIMUM ILLUMINATION	0.005 lux color @ F1.3, 30 IRE, 0 lux (IR LEDs on)
S/N RATIO	> 65 dB
ELECTRONIC SHUTTER SPEED	NTSC: 1/3 - 1/100,000 s PAL: 1/4 - 1/100,000 s
RESOLUTION	1080p (1920 x 1080)
FRAME RATE	25/30 fps @ 1080p 25/30fps @ 720p
VIDEO OUTPUT	1-channel BNC CVI/TVI/AHD/CVBS video output
IR DISTANCE	Up to 150 ft. (50 m), depending on scene reflectance
NUMBER OF IR LEDES	4 IR LEDs
SMART IR	Auto/Manual
DAY/NIGHT	Auto (ICR)/Manual
BACKLIGHT COMPENSATION	BLC/HLC/DWDR
WHITE BALANCE	Auto/Manual
GAIN CONTROL	AGC
WIDE DYNAMIC RANGE	120dB
NOISE REDUCTION	2D/3D
PRIVACY MASKING	Up to 4 configurable areas
DEFOG	Manual/Off
LENS	2.7 - 13.5 mm, MFZ lens, F1.3
HORIZONTAL ANGLE OF VIEW	102° ~ 29°
AUDIO	N/A

ELECTRICAL	
POWER SUPPLY	12 VDC ±25%
POWER CONSUMPTION	10.1 W max. (12 VDC, IR LEDs on)
MECHANICAL	
DIMENSIONS	8.39" x 3.56" x 3.56" (213.0 mm x 90.4 mm x 90.4 mm)
PRODUCT WEIGHT	1.34 lb. (0.61 kg)
PACKAGE WEIGHT	1.63 lb. (0.74 kg)
CONSTRUCTION	Die-cast aluminum housing with powder coat
CONSTRUCTION COLOR	RAL 9003 (White)
ENVIRONMENTAL	
OPERATING TEMPERATURE	-40°F to 140°F (-40°C to 60°C)
COLD START	Startup should be done at above -40°F (-40°C)
STORAGE TEMPERATURE	-40°F to 140°F (-40°C to 60°C)
RELATIVE HUMIDITY	Less than 90%, non-condensing
INGRESS PROTECTION	IP66
REGULATORY	
EMISSIONS	EN55032, ANSI C63.4-2014
IMMUNITY	EN50130-4
SAFETY	EU: EN60950-1
ROHS	EN50581

TDN 1080p IR Bullet Cameras

RECOMMENDED ACCESSORIES

SYSTEM COMPATIBILITY		HOUSING AND MOUNTS	
HRHQ104* HQA DVRS	4-channel, 720p@120/100 fps, 1080p@60/50 fps, 1 SATA, alarm I/O	HQA-PM2**	 Pole Mount Adapter
HRHQ108* HQA DVRS	8-channel, 720p@240/200 fps, 1080p@120/100 fps, 2 SATA, alarm I/O	HB34S2-CM**	 Corner Mount Adapter
HRHQ116* HQA DVRS	16-channel, 720p@480/400 fps, 1080p@240/200 fps, 2 SATA, alarm I/O	HBS2-BB	 Junction Box
		HEJB	 Junction Box

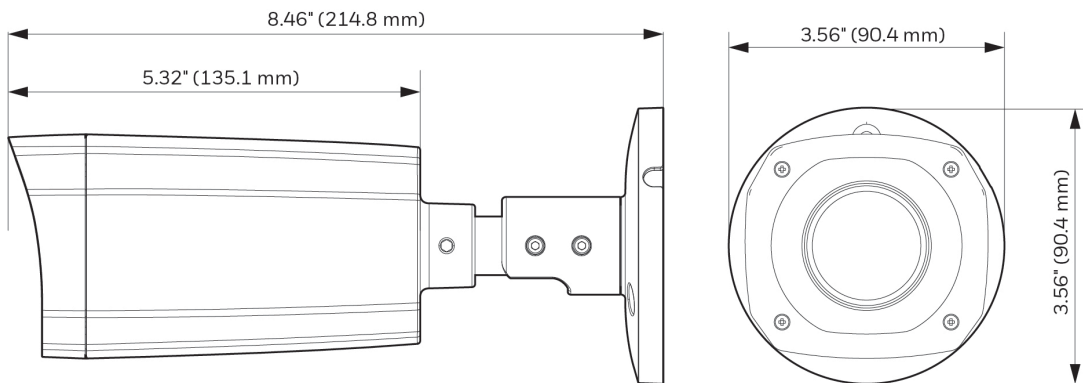
* Pre-installed storage (TB).

** The HBS2-BB or HEJB junction box must be used when installing the camera to HQA-PM2 or HB34S2-CM.

ORDERING

HB42XD2	TDN 1080p IR Bullet Camera, 1/2.8" 2.1 MP CMOS, 2.7–13.5 mm MFZ Lens, 4 IR LEDs, 12 VDC, IP66
---------	---

DIMENSIONS



For more information

www.honeywell.com/security

Honeywell Security and Fire

2700 Blankenbaker Pkwy, Suite 150

Louisville, KY 40299

1.800.323.4576

www.honeywell.com

Honeywell reserves the right, without notification, to make changes in product design or specifications.

L/HB42XD2D/D | 10/17

© 2017 Honeywell International Inc.

Honeywell