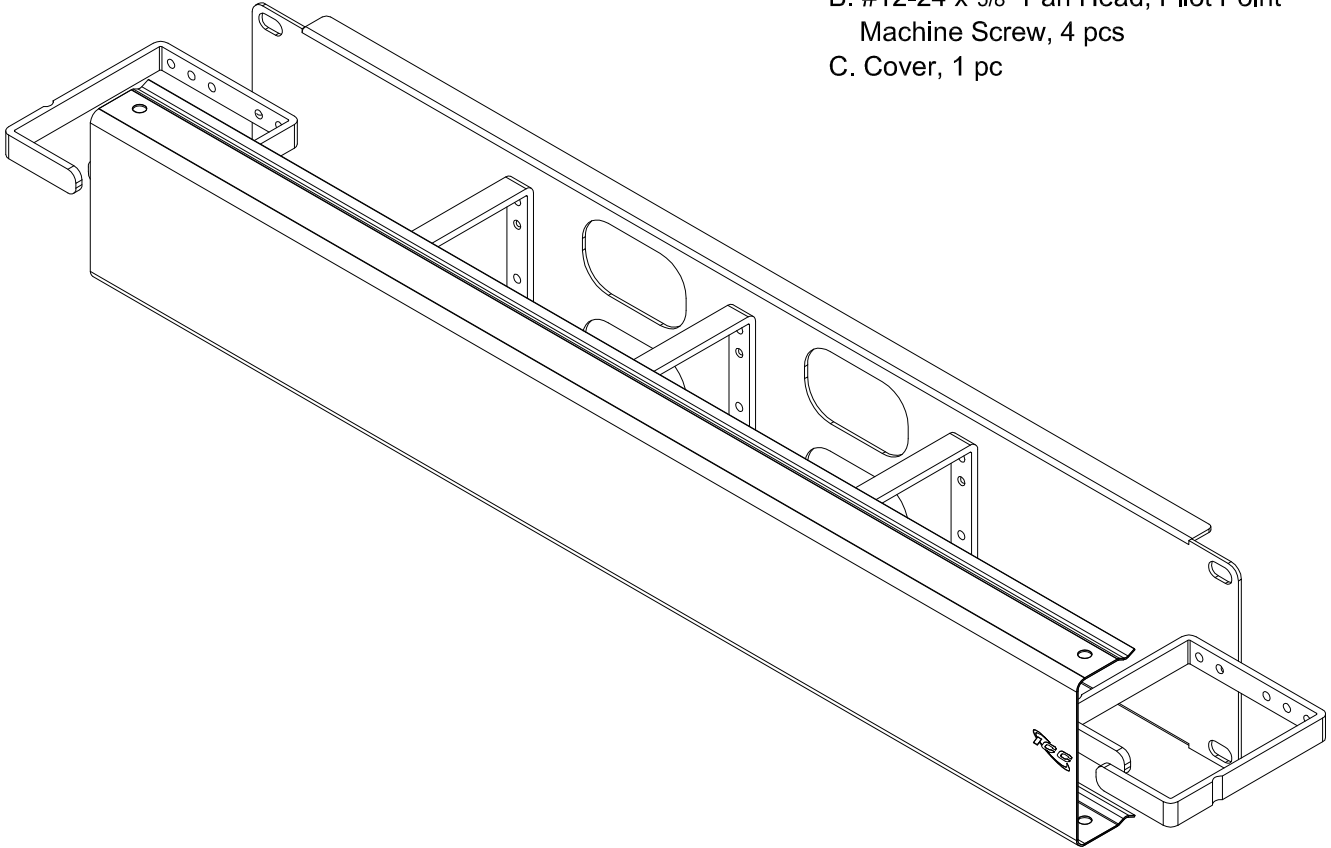


Cable Management Metal Ring Panel, 2 RMS

PRODUCT SPECIFICATION

Package includes:

- A. 2 RMS Cable Management Metal Ring Panel, 1 pc
- B. #12-24 x 5/8" Pan Head, Pilot Point Machine Screw, 4 pcs
- C. Cover, 1 pc



Features and Benefits:

- Provides flexibility for front cable management with a neat and clean appearance
- Designed with 3 horizontal and 2 vertical rings for patch cord organization in either direction
- Designed to fit all standard 19" racks and cabinets
- 2 rack mount space (RMS)
- Removable cover included
- Used with all ICCMS racks and brackets

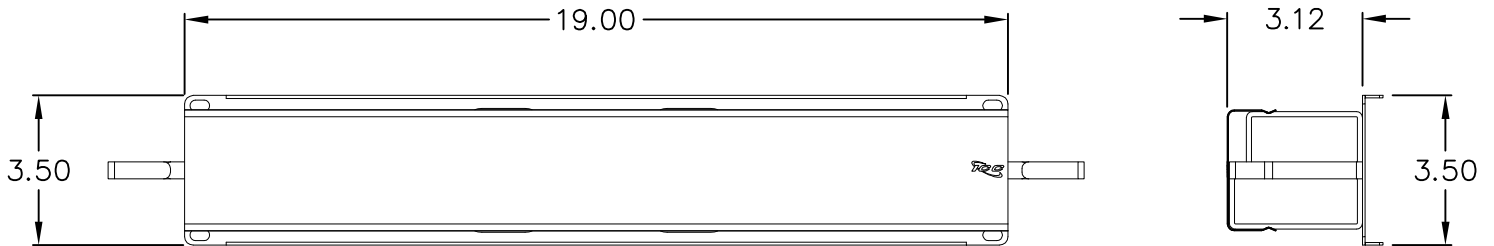
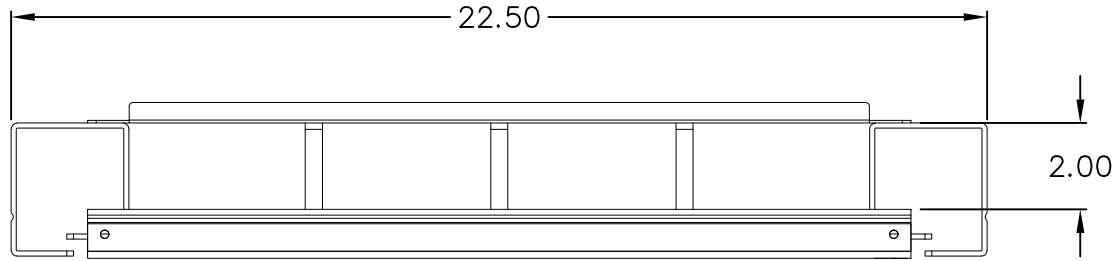
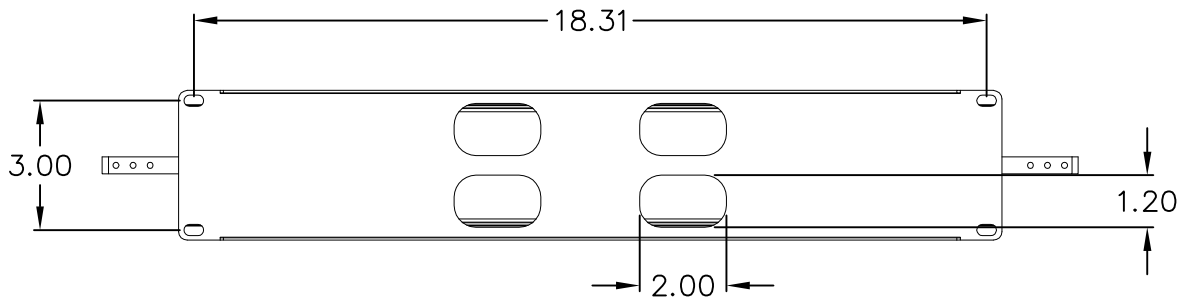
PANEL, CABLE MANAGEMENT METAL RING, 2 RMS

ITEM NO.	ICCMSCMP32
DWG NO.	PSCMSCMP32

REV.	D
PAGE NO.	1



CUSTOMER CARE / TECHNICAL SUPPORT * CSR@ICC.COM / 888-ASK-4-ICC (275-4422) * 2100 E. Valencia Dr, Suite D, Fullerton, CA 92831 * www.icc.com



NOTE: UNLESS OTHERWISE SPECIFIED

- 1. MATERIAL:
 - A. PANEL: 16 GA CRS
 - B. RING: 11 GA CRS
 - C. COVER: 25 GA CRS
- 2. SURFACE FINISH: BLACK TEXTURED POWDER COAT

PANEL, CABLE MANAGEMENT METAL RING, 2 RMS

ITEM NO.	ICCMSCMP32	REV.	D
DWG NO.	PSCMSCMP32	PAGE NO.	2



CUSTOMER CARE / TECHNICAL SUPPORT * CSR@ICC.COM / 888-ASK-4-ICC (275-4422) * 2100 E. Valencia Dr, Suite D, Fullerton, CA 92831 * www.icc.com