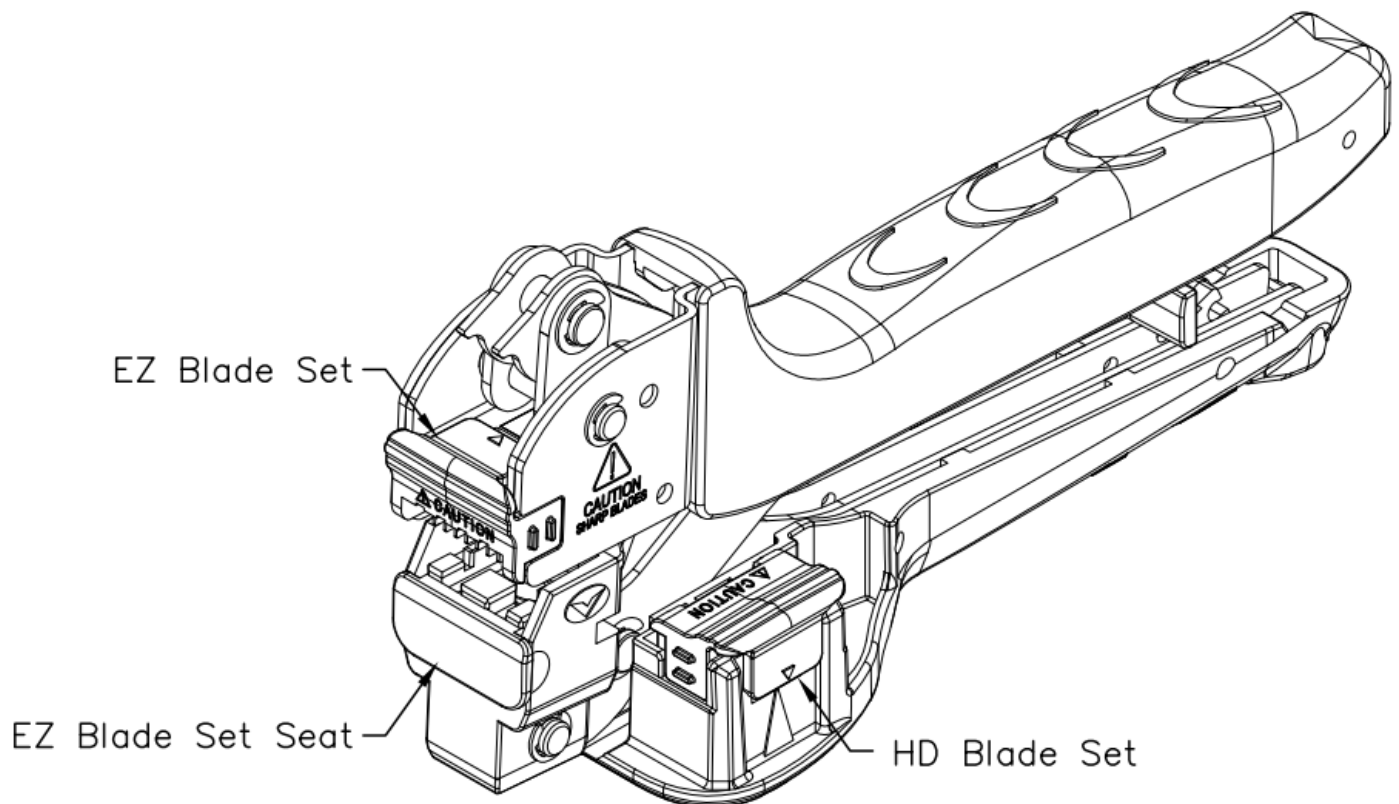


JackEasy Termination Tool

Package Includes:

- A. JackEasy Termination Tool, 1 PC
- B. EZ Blade Set, 1 PC
- C. EZ Blade Set Seat, 1 PC
- D. HD Blade Set, 1 PC



Features and Benefits

- Designed with durable steel body.
- Terminates and cuts 4-pairs of UTP wires simultaneously making installations faster and easier.
- Swappable termination heads to accommodate both HD and EZ style modules.
- Ergonomic design allowing a comfortable fit throughout installations.
- Capable of termination on flat surfaces such as walls or floor.
- Compatible with all ICC's EZ and HD modular keystone jacks. Will NOT work with other brand jacks.
- Country Of Origin: Taiwan
- TAA Compliant

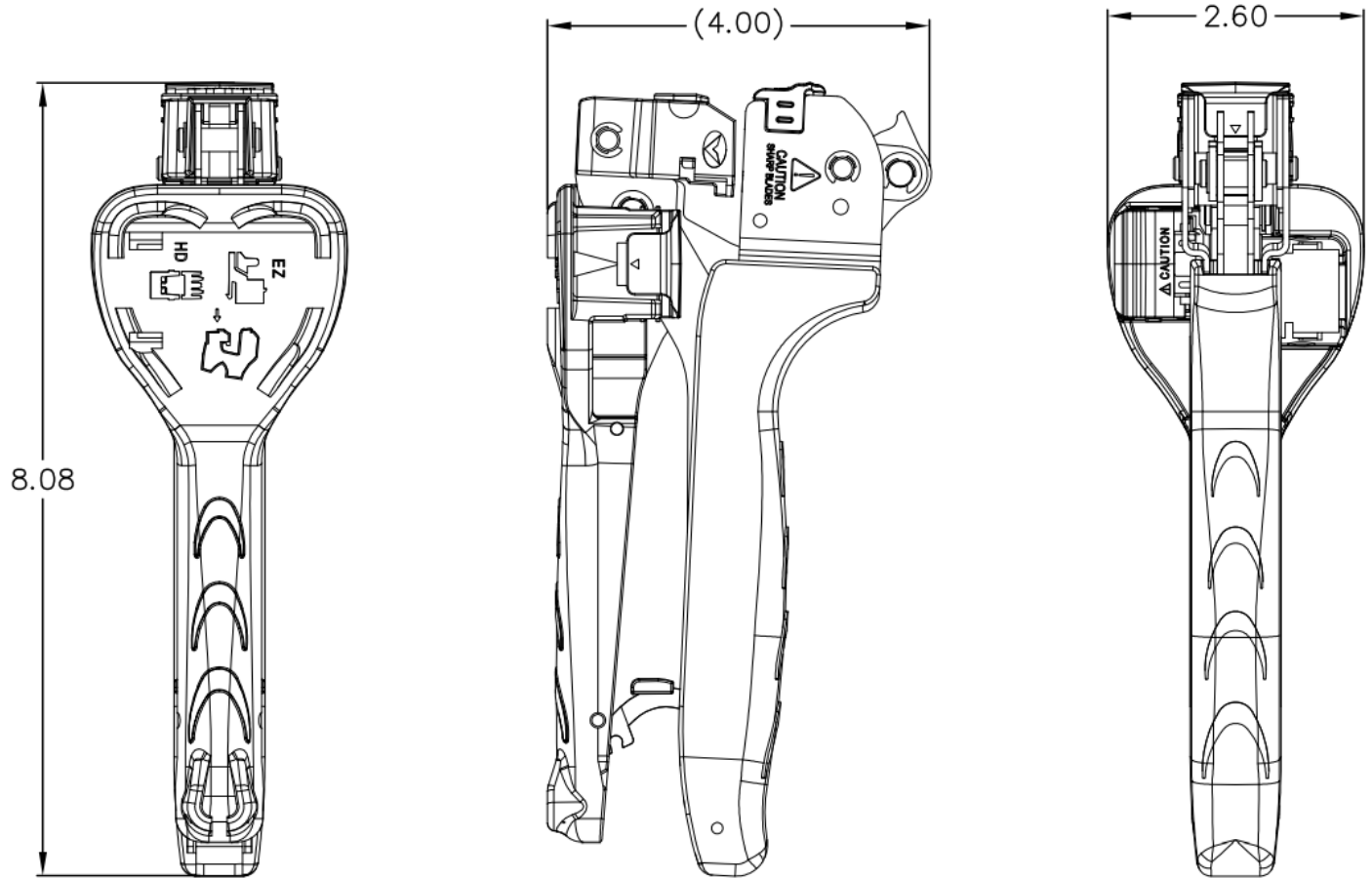
Part No: ICACSPDTEH

Rev: C

Page 1 of 2

| 888-ASK-4ICC | icc.com | csr@icc.com |





NOTE: UNLESS OTHERWISE SPECIFIED

1. MATERIAL:

- A. FRAME: 16GA CRS
- B. FINISH: BLACK POWDER COAT
- C. CUTTER: SK-5
- D. EZ BLADE SET:
 - i. NYLON+FIBER, BLUE
 - ii. PC+FIBER, BLUE
- E. HD BLADE SET:
 - i. NYLON+FIBER, RED
- F. HANDLES
 - i. BASE GRIP: PC+FIBER, BLACK
 - ii. GRIP: PC+FIBER, BLACK

2. HARDNESS: BLADE: HRC 50-60