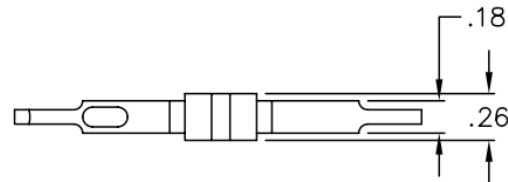
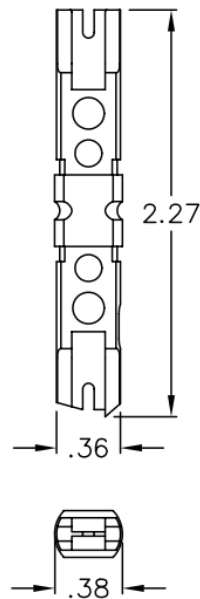
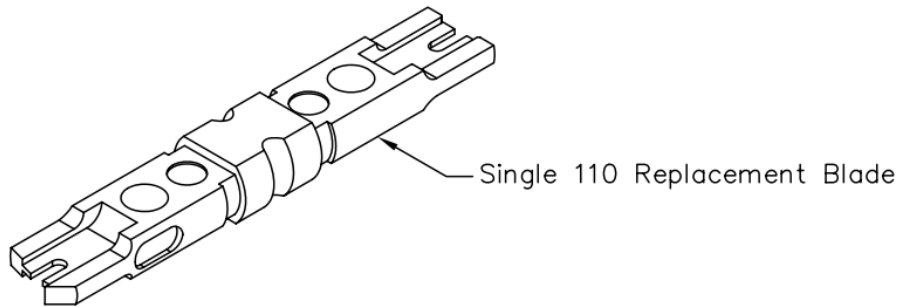


Single 110 Replacement Blade

Package Includes:

A. Single 110 Replacement Blade, 1 PC



Features and Benefits

- Single 110 Replacement blade for ICACSPDT00 66 and 110 punch down tool
- Country Of Origin: Taiwan
- TAA Compliant

NOTE: UNLESS OTHERWISE SPECIFIED

1. MATERIAL: AISI 4140
2. HARDNESS: HCR 40-52°

Part No: ICACS110RB
Rev: A
Page 1

| 888-ASK-4ICC | icc.com | csr@icc.com |

