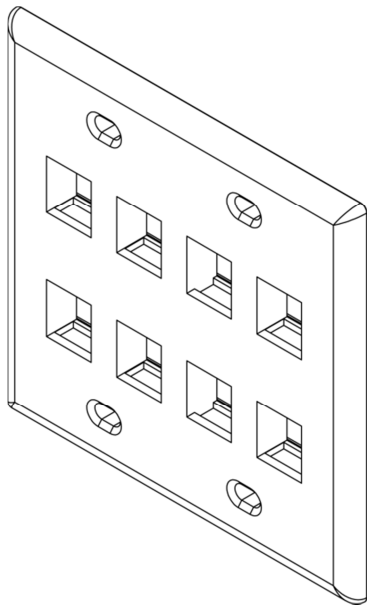


8-Port Double Gang Flat Faceplate



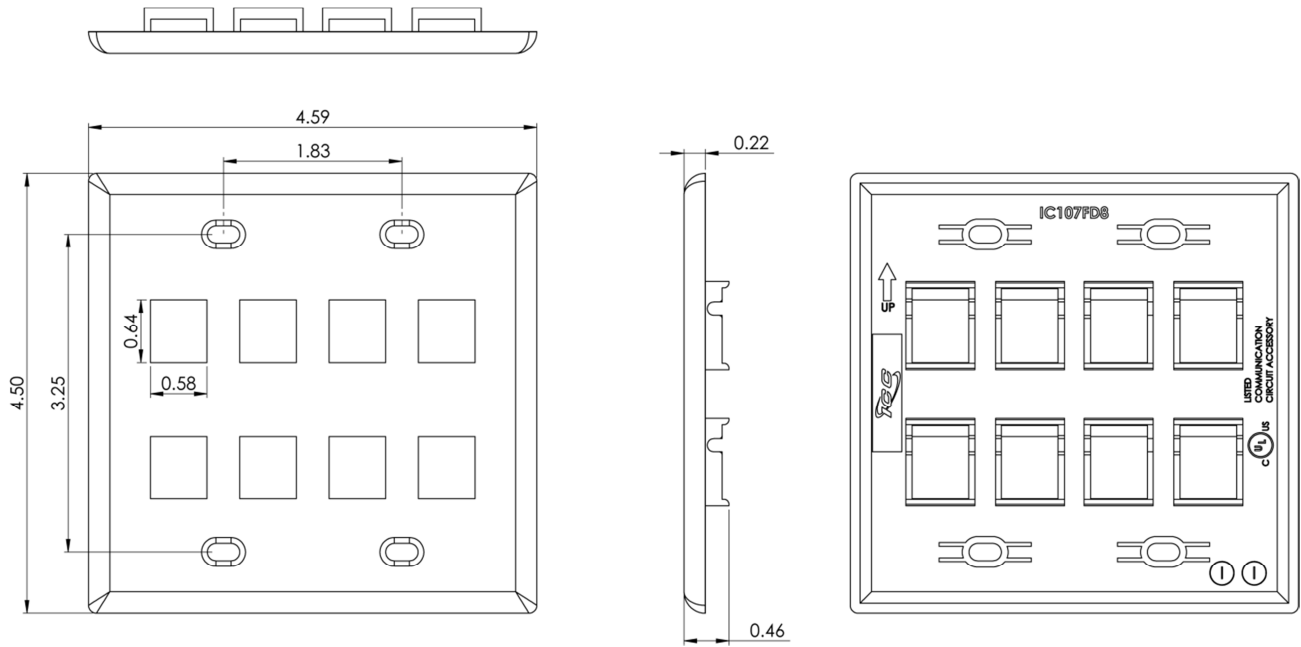
Package Includes:

A. 8-Port Double Gang Flat Faceplate, 1 Piece

**B. #6-32 x 3/4" Oval Head, Countersink
Machine Screw, 4 Pieces**

Features and Benefits

- Configured to fit standard double gang outlet box
- Designed to support the distribution of voice, data, and other communication needs to the work area for commercial or residential applications
- Rugged and durable construction
- Accommodates a wide variety of easy to snap-in modules, providing configuration flexibility
- Accepts all IC107 modules
- ANSI/TIA-568-C and UL 1863 compliant
- Available in Ivory and White
- Country Of Origin: Taiwan
- TAA Compliant



Specifications

- Material: ABS, UL94V-0
- Finish: Texture
- Color: XX: IV-Ivory & WH-White

