

## GV-PA902BT Gigabit BT PoE++ Adapter



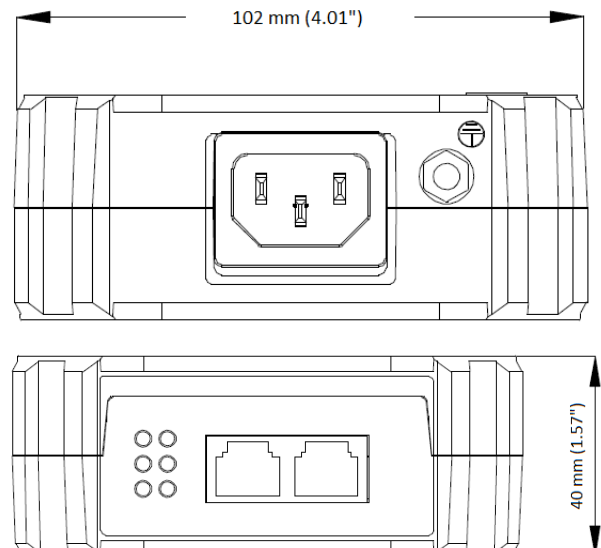
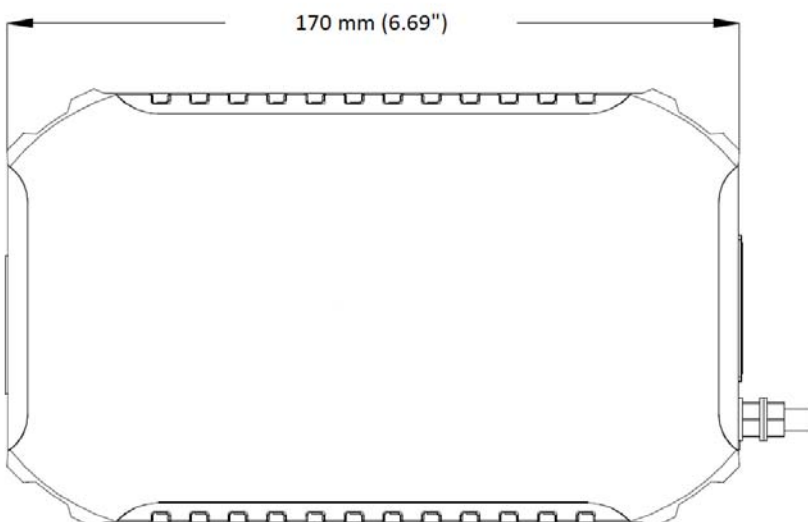
### Introduction

GV-PA902BT is a 1-Port 10/100/1000 Mbps Gigabit Power over Ethernet (PoE) adapter. The adapter supports IEEE802.3af/at/bt Power over Ethernet standard, with a maximum power output of 95 W through a single Ethernet cable. Adopting the PoE adapter enables you to mount an IP camera anywhere in a building where power outlets are not available.

### Specifications

Port	Data in port: 1 x 10/100/1000 Mbps RJ-45 port PoE out port: 1 x 10/100/1000 Mbps RJ-45 port
Power Source	High Power Over Ethernet (Max. 95 W)
PoE Power Output	DC 54V (Max. 95 W)
Ethernet Cable Length	Max 100 m (328 ft) from GV-PA902BT to IP device, CAT5e, 6
Power Input	AC 100V ~ 240V, 50/60Hz
Operation Temperature	Operating Temperature: 0°C ~ 40 °C (32 °F ~104°F) Storage Temperature: -40 °C ~ 70 °C (-40 °F ~158°F)
Humidity	Operating Humidity: 10% ~ 90% non-condensing Storage Humidity: 5% ~ 90% non-condensing
Surge Protection	±6 kV
Dimensions (L x W x H)	170 x 102 x 40 mm (6.69" x 4.01" x 1.57")
Weight	0.95 kg (2.09 lb)
Standard	IEEE802.3af/at/bt
Energy Efficiency Grade	6

### Dimensions



### Packing List

1. GV-PA902BT x 1
2. Power Cord x 1
3. Rubber Feet x 4

### Compatible GV-IP Devices

- GV-LPR2800-DL
- GV-PPTZ7300 / 14021 / 14031
- GV-QSD5731-IR
- GV-SD2301 V2 / 2411 V2 / 2723-IR / 2733-IR
- GV-SV48000