

GV-Housing102 Housing Box



Introduction

The GV-Housing102 is a housing box designed to support the outdoor installation of Box Camera with external protection. It conforms to IP67 and IK10 standards, and is equipped with a heater and a fan. The GV-Housing102 also supports optional GV-Mount accessories, allowing the Box Camera to be installed on the pole, convex and concave surfaces. Adopting the housing box enables flexible installation of the Box Camera to meet your needs for IP surveillance in various environmental conditions.

Applied to

- GV-BX2700-3V
- GV-BX4700 Series
- GV-BX5700-3V
- GV-BX2700-FD
- GV-BX2600-FD
- GV-BX4700-FD
- GV-BX8700-FD
- GV-BX8700

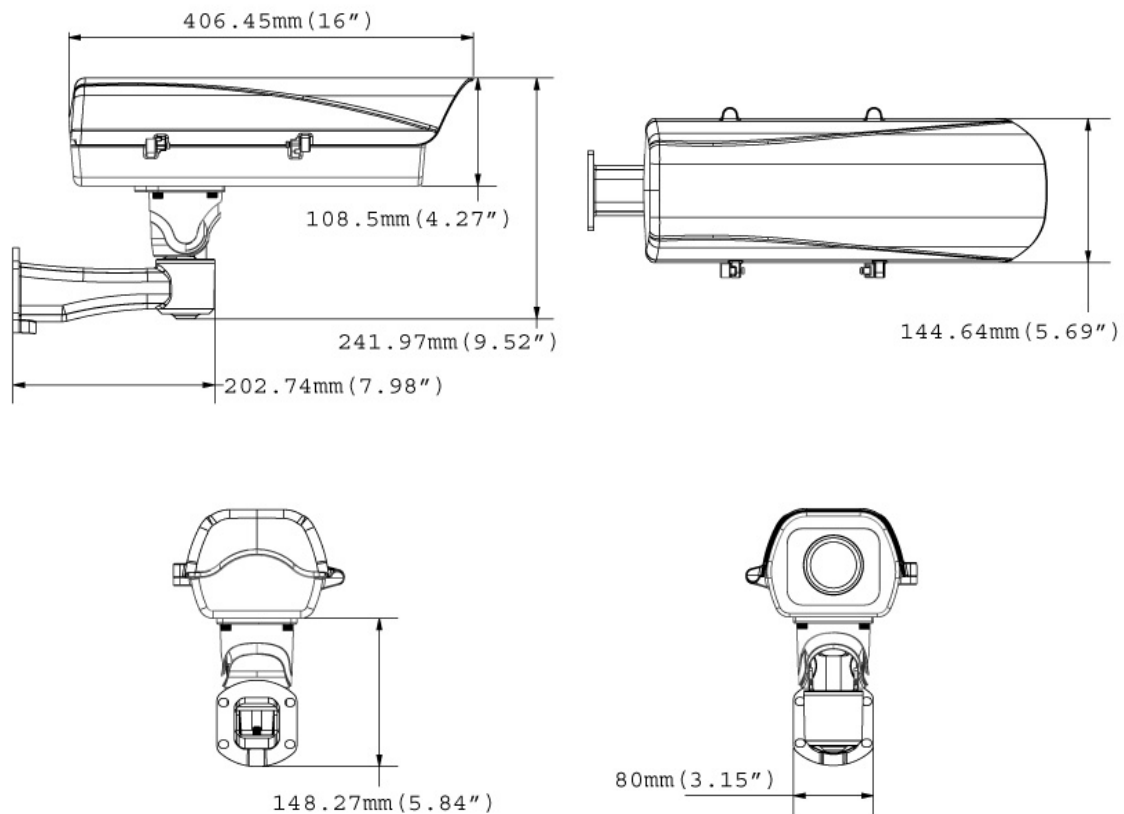
* GV-BX2700-8F and GV-BX5700-8F are not supported.

Specifications






Power		2 pin terminal block (DC 12V 1.25A / AC 24V 0.58A)
Temperature	Start-up	-30°C ~ 50°C (-22°F ~ 122°F)
	Operation	-40°C ~ 50°C (-40°F ~ 122°F)
Heater	On	15°C (59°F)
	Off	25°C (77°F)
Fan	On	35°C (95°F)
	Off	25°C (77°F)
Dimensions (L x W x H)		406 x 145 x 109 mm (16 x 5.7 x 4.3")
Weight		4.69 kg (10.34 lb) (including Supporting Tube)
Ingress Protection		IP67
Vandal Resistance		IK10 (for metal casing)

Note: Specifications are subject to change without notice.

Dimensions



Accessories

Model No	Name	Details	
GV-Mount300-1	Convex Corner Adapter Kit		Dimensions: 238.6 x 395.2 x 210 mm (9.4" x 15.5" x 8.2") Weight: 4.27 kg (9.41 lb)
GV-Mount310-1	Concave Corner Adapter Kit		Dimensions: 111.2 x 369.9 x 210 mm (4.37" x 14.5" x 8.2") Weight: 2.96 kg (6.53 lb)
GV-Mount400-1	Pole Mount Bracket Kit (Ø 4 ~ 6")		Dimensions: Bracket: 68.4 x 240 x 163 mm (2.69" x 9.44" x 6.41") Weight: 1.70 kg (3.75 lb) Steel Strap Diameter: Ø 4" ~ 6"
GV-Mount410-1	Pole Mount Bracket Kit (Ø 6 ~ 7.5")		Dimensions: Bracket: 68.4 x 240 x 163 mm (2.69" x 9.44" x 6.41") Weight: 1.70 kg (3.75 lb) Steel Strap Diameter: Ø 6" ~ 7.5"
GV-LIR32I8-070	Infrared Illuminator		Dimensions: 157 x 105 x 80.7 mm (6.18 x 4.13 x 3.17") Weight: 0.85 kg (1.87 lb) IR Distance: 60 m (200 ft)

Packing List

- Housing Box
- Supporting Tube
- Screw Anchor x 4
- M5 Screw (35 mm) x 4
- Short Screw x 2
- M5 Plain Washer (7 mm) x 4
- M5 Plain Washer (16 mm) x 2
- Hex Key
- Silica Gel Bag
- Sticker (for Silica Gel Bag)
- M4 Screw (8 mm) x 4
- M4 Screw (5 mm) x 4
- Black Plate x 2
- Plastic Black Plate