

GV-EBD4700 4MP H.265 Super Low Lux WDR Pro IR Eyeball IP Dome



- 1/3" progressive scan super low lux CMOS sensor
- Min. illumination at 0.02 lux
- Triple streams from H.265, H.264 or MJPEG
- Up to 20 fps at 2592 x 1520, 25 fps at 2560 x 1440, 30 fps at 2048 x 1520
- Intelligent IR
- IR distance up to 30 m (100 ft)
- Day and night function (with removable IR-cut filter)
- 3-axis mechanism (pan / tilt / rotate)
- Ingress protection (IP67)
- DC 12V / PoE (IEEE 802.3af)
- Wide Dynamic Range Pro (WDR Pro)
- Defog
- 3D noise reduction
- Motion detection
- Tampering alarm
- Text overlay
- Privacy mask
- ONVIF (Profile S, T) conformant

Introduction

The H.265 Target Eyeball Dome is an outdoor, network camera equipped with an automatic IR-cut filter and an IR LED for day and night surveillance. The camera adheres to IP67 standards. The camera supports H.265 video codec to achieve better compression ratio while maintaining high quality pictures at reduced network bandwidths. With its WDR Pro, it can process scenes with contrasting intensity of lights and produce clear image.

Active Tampering Alarm

Tampered



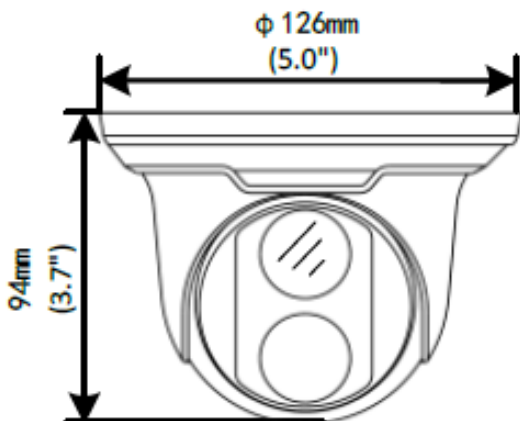
Focus Change



Camera Shift



Dimensions



Specifications

| Camera | | |
|----------------------------------|-----------|---|
| Image Sensor | | 1/3" progressive scan super low lux CMOS |
| Picture Elements | | 2592 (H) x 1520 (V) |
| Minimum Illumination | Color | 0.02 Lux (F2.0, AGC ON) |
| | IR ON | 0 Lux |
| Shutter Speed | | Auto / Manual (1/6 ~ 1/8000 sec) |
| White Balance | | Auto / Manual |
| Gain Control | | Auto / Manual |
| S/N Ratio | | 52 dB |
| WDR | | WDR Pro |
| Dynamic Range | | 120 dB |
| Optical Lens | | |
| Megapixel | | Yes |
| Day / Night | | Yes (with removable IR-cut filter) |
| Lens Type | | Fixed |
| Focal Length | | 2.8 mm |
| Maximum Aperture | | F/2.0 |
| Mount | | M12 |
| Horizontal FOV | | 100° |
| Operation | Focus | Fixed |
| | Zoom | Fixed |
| | Iris | Fixed |
| IR LED Quantity | | 1 IR LED |
| Max. IR Distance | | 30 m (100 ft) |
| Operation | | |
| Video Compression | | H.265, H.264, MJPEG |
| Video Streaming | | Triple streams from H.265, H.264 or MJPEG |
| Frame Rate | | 20 fps at 2592 x 1520, 25 fps at 2560 x 1440, 30 fps at 2048 x 1520 (60 / 50 Hz) * The frame rate and performance may vary depending on the number of connections and data bitrates (different scenes). |
| Video Analytics | | Motion Detection, Tampering Alarm, Cross Line, Intrusion, Object Moving, Object Left, Defocus, Scene Change, Face Detection, People Counting *Tampering alarm, cross line, intrusion, object moving, object left, defocus, scene change, face detection and people counting are only accessible through the camera's Web interface, which can be used to trigger alerts such as e-mail and FTP |
| Image Setting | | Brightness, Contrast, Saturation, Sharpness, Flicker-less, Image Orientation |
| Video Resolution | | |
| Main Stream | | 2592 x 1520, 2560 x 1440 (Default), 2048 x 1520, 1920 x 1080 |
| Sub Stream | | 1920 x 1080, 1280 x 720, 720 x 576, 704 x 288, 640 x 360 (Default), 352 x 288 |
| Third Stream (Closed by Default) | | 720 x 576, 704 x 288, 640 x 360, 352 x 288 |
| Network | | |
| Interface | | 10/100 Ethernet |
| Protocol | | 802.1x, ARP, DHCP, DDNS, DNS, DynDNS, FTP, HTTP, HTTPS, ICMP, IGMP, IPv4, NTP, PPPoE, QoS, RTCP, RTP, RTSP, SMTP, SNMP, TCP, UDP, UPnP, ONVIF (Profile S, T) |
| Mechanical | | |
| Camera Angle Adjustment | Pan | 0° ~ 360° |
| | Tilt | 0° ~ 90° |
| | Rotate | 0° ~ 360° |
| Connectors | Power | DC Jack (DC 12V, 1.25A) |
| | Ethernet | RJ-45 |
| General | | |
| Environment Temperature | Start-up | -35°C ~ 60°C (-31°F ~ 140°F) |
| | Operation | |
| Humidity | | 0% ~ 95% (no condensation) |
| Power Source | | 12V DC / PoE (IEEE 802.3af) |
| Max. Power Consumption | | 5.5 W |
| Dimensions | | ∅ 126 x 94 mm (∅5.0" x 3.7") |

| | |
|-------------------------|---|
| Weight | 0.45 kg (0.99 lb) |
| Ingress Protection | IP67 |
| Regulatory | CE, FCC, RoHS compliant |
| Web Interface | |
| Installation Management | Web-based configuration |
| Maintenance | Firmware upgrade through Web Browser or Utility |
| Access from Web Browser | Live View, Video Recording, Change Video Quality, Bandwidth Control, Image Snapshot, Defog, Text Overlay, Image Masking |
| Language | Czech, English, French, German, Hungarian, Italian, Japanese, Polish, Portuguese, Russian, Spanish, Traditional Chinese |
| Applications | |
| Software Supported | GV-DVR / NVR (V8.7.1.0), GV-VMS (V15.11.1.0), GV-Control Center (V3.4.0.0), GV-Recording Server (V1.3.0.0), GV-Redundant / Failover Server (V1.1.0.0) |
| Live Viewing | Browser (IE, Edge, Chrome, Firefox, Safari), Mobile App |

Note:



1. It is required to apply patch files to all the supported software.
2. Do not use clothes or any ordinary material to clean the camera cover since they may result in scratches.
3. Specifications are subject to change without notice.

Packing List

- | | |
|------------------------------|--------------------------|
| 1. H.265 Target Eyeball Dome | 4. Drill Template Paster |
| 2. Waterproof Rubber Set | 5. Download Guide |
| 3. Screw kit | 6. Warranty Card |

Accessories

| Model No. | Name | | Details |
|--|-----------------------------|--|---|
| GV-Mount107 (must be used with GV-Mount212P) | Pendant Bracket |  | Dimensions: Ø 120 x 334 mm (Ø 4.72" x 13.15") Weight: 0.74 kg (1.63 lb) |
| GV-Mount211P | Wall Mount and Junction Box |  | Dimensions: Ø 233 x 126 x 126 mm (Ø 9.2" x 5" x 5") Weight: 1 kg (2.2 lb) |
| GV-Mount212P | Wall Box Mount |  | Dimensions: Ø 126 x 36 mm (Ø 5.0" x 1.4") Weight: 0.22 kg (0.48 lb) |
| GV-Mount300-2 | Convex Corner Mount |  | Dimensions: 137 x 233 x 160 mm (5.4" x 9.17" x 6.3") Weight: 1.65 kg (3.64 lb) |
| GV-Mount310-2 | Concave Corner Mount |  | Dimensions: 111.2 x 369.9 x 210 mm (2.6" x 11.4" x 6.6") Weight: 1.65 kg (3.64 lb) |
| GV-Mount420 (must be used with GV-Mount211P) | Pole Mount Bracket |  | Dimensions: Ø 120 x 120 x 53.4 mm (Ø 4.7" x 4.7" x 2.1") Weight: 0.45 kg (0.99 lb) Steel Strap Diameter: Ø 67 ~ 127 mm (Ø 2.6" ~ 5") |

| Model No. | Name | | Details |
|---|-----------------------------------|--|--|
| GV-Mount704 (must be used with GV-Mount107) | Extension Tube |  | Dimensions: Ø 3.5 x 10 or 20 or 30 or 50 cm (Ø 1.38 x 3.9 or 7.9 or 11.8 or 19.7") Weight: 225 g or 360 g or 500 g or 780 g (0.5 lb or 0.79 lb or 1.1 lb or 1.72 lb) |
| GV-PA191 | Power over Ethernet (PoE) Adapter |  | GV-PA191 is a Power over Ethernet (PoE) adapter designed to provide power to the IP device through a single Ethernet cable. |
| GV-PoE Switch | | | GV-PoE Switch is designed to provide power along with network connection for IP devices. GV-PoE Switch is available in various models with different numbers and types of ports. |
| Power Adapter | | | Contact our sales representatives for the countries and areas supported. |