

## VS Venting Switch Set Series



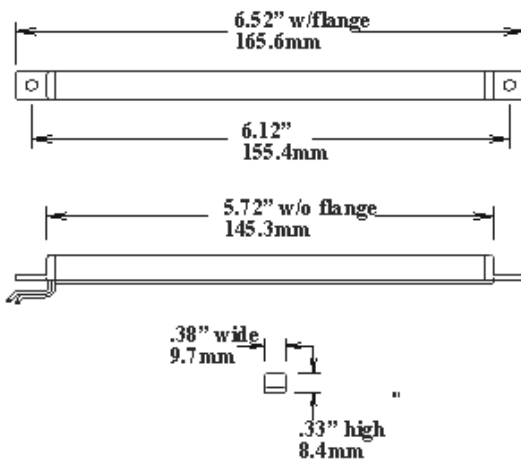
**VS-06/VS-08**  
Vent Switch

- Aids in preventing false alarms
- UL and ULC approved
- Linear travel of 6" or 8"
- Standard air gap of 1/2" +
- Standard switch length 6" or 8"
- 36" Zipcord Lead Standard
- Custom Switch and Lead lengths available
- Eliminates disarming system when opening or closing windows
- Supervisory loops available
- Wire Leads or Terminals

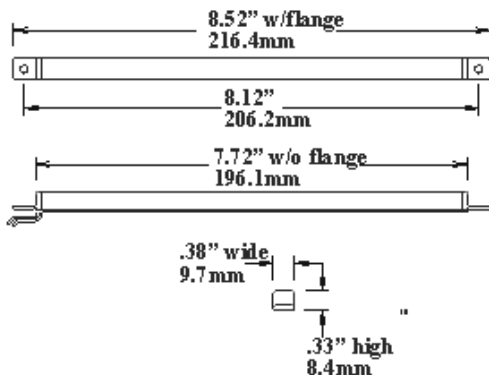
This unique invention has been designed in response to requests from installers for a switch that would allow window venting of four to six inches before breaking contact and creating an alarm condition. The VS-06 will allow the homeowner to arm his system and at the same time permit venting of any window on which the Vent Switch has been installed.

A window so equipped, either slider or double hung, can be opened or closed while the VS-06 maintains an extended influence of approximately six inches at 1/2" air gap. VS-08 maintains an extended influence of approximately eight inches at 1/2" air gap.

Patent Pending.



**VS-06**  
6" Vent Switch

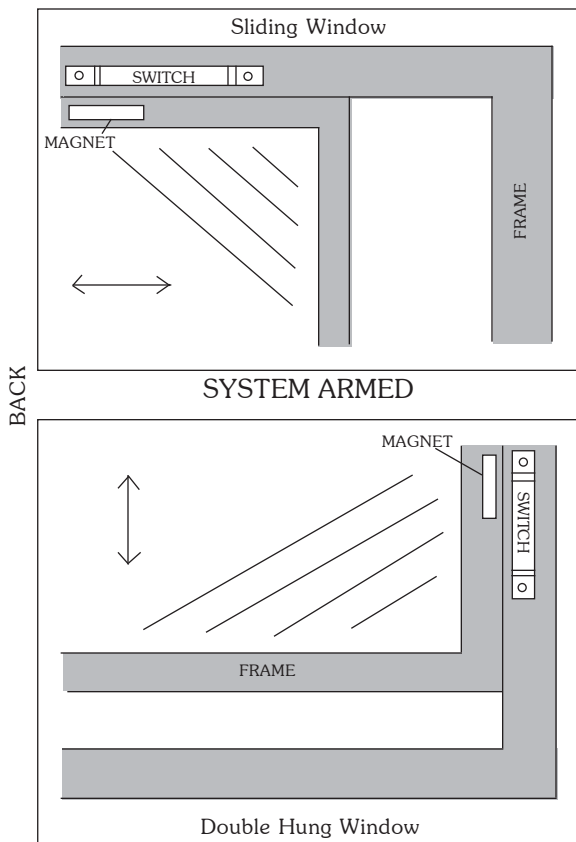


**VS-08**  
8" Vent Switch

# VENT SWITCH



- ◆ Eliminates Double Magnets
- ◆ Aids in Preventing False Alarms
- ◆ Linear Travel of 6-8 Inches
- ◆ Air Gap of 1/2" To Maintain Continuous Linear Travel
- ◆ Standard Switch Length 6" or 8"
- ◆ Custom Lengths Available
- ◆ 36" Zip Lead Standard Or Screw Terminals
- ◆ No Need To Disarm Systems When Opening Or Closing Windows
- ◆ Available in White and Brown



This unique invention has been designed in response to requests from installers for a switch that would allow window venting of four to six inches before breaking contact and creating an alarm condition.

The GRI Vent Switch will allow the homeowner to arm his system and at the same time permit venting of any window on which the Vent Switch has been installed.

A slider or double hung window can be opened or closed while the GRI Vent Switch maintains an extended zone of actuation of approximately six inches at 1/2 air gap.

Prior to actual installation it is highly recommended that the installer become familiar with the operation of this switch during a bench test session. A continuity checker would work well in determining the overall area of activation. It is suggested that the homeowner be instructed in its actual operation to prevent an owner-induced alarm. Patent Pending.

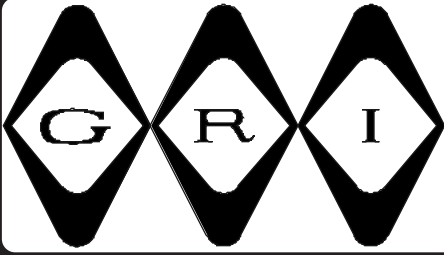
GEORGE RISK INDUSTRIES, INC.  
GRI PLAZA  
KIMBALL, NE 69145



MADE IN U.S.A.

TOLL-FREE 1-800-445-5218  
TOLL-FREE 1-800-523-1227  
(308) 235-4645

FAX (308) 235-3561  
E-MAIL: [grisales@megavision.com](mailto:grisales@megavision.com)  
WEB SITE: [www.grisk.com](http://www.grisk.com)



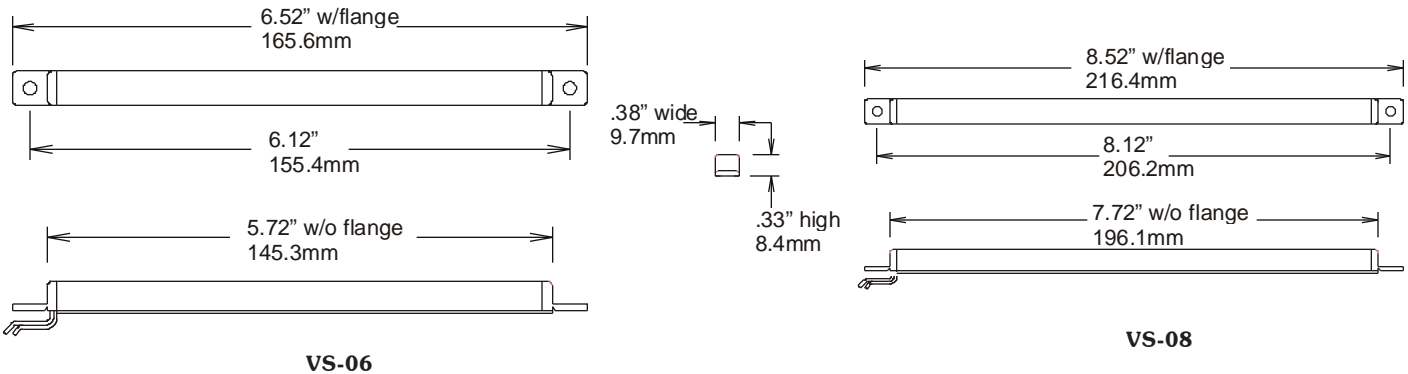
# VENT SWITCH

## INSTALLATION INSTRUCTIONS:

The Vent Switch is unique because it will allow a linear movement of the actuator magnet, parallel to the reed switch, of up to 6 inches, depending on model, while maintaining a constantly closed circuit. The linear travel is based upon a maximum air gap distance of half an inch between the switch and magnet.

It is recommended that the switch be located and mounted first, preferably in a position furthest away from the opening, to prevent reach through compromise. Please note the Vent Switch can be positioned similar to a double magnet set-up. This will allow the homeowner to open and close the window protected by the Vent Switch without having to disarm and rearm the system to reposition the window.

We are confident that the convenience and reliability of the Vent Switch will long be appreciated by the homeowner. Proper instruction by the installer will eliminate the chance of an owner-induced alarm and maintain the maximum effectiveness of the perimeter security system.



PART NUMBERS:		
	Closed Loop	Open Loop
1/2" Air Gap	VS-06	VSB-06
6" Linear Travel	VS-06T	
1/2" Air Gap	VS-08	VSB-08
8" Linear Travel	VS-08T	

## GRI products meet or exceed these minimum general specifications:

PART NUMBER	LOOP TYPE	ELECTRICAL CONFIG.	REED FORM	INITIAL CONTACT RESISTANCE	MAXIMUM CONTACT RATING	SWITCHING VOLTAGE MAX [V]	MAXIMUM SWITCHING CURRENT
VS-06	CLOSED	N/O	A	.150	10	200	.500
VS-06T	CLOSED	N/O	A	.150	10	200	.500
VS-08	CLOSED	N/O	A	.150	10	200	.500
VS-08T	CLOSED	N/O	A	.150	10	200	.500
VSB-06	OPEN	N/C	B	.140	5	175VDC	.250
VSB-08	OPEN	N/C	B	.140	5	175VDC	.250

**WARRANTY:** Lifetime warranty against workmanship, material and factory defects.

GEORGE RISK INDUSTRIES, INC.  
GRI PLAZA  
KIMBALL, NE 69145



MADE IN U.S.A.

TOLL-FREE 1-800-445-5218  
TOLL-FREE 1-800-523-1227  
(308) 235-4645  
FAX (308) 235-3561

E-MAIL: [grisales@megavision.com](mailto:grisales@megavision.com)  
WEB SITE: [www.grisk.com](http://www.grisk.com)