

## Gate Mount Pool Alarms

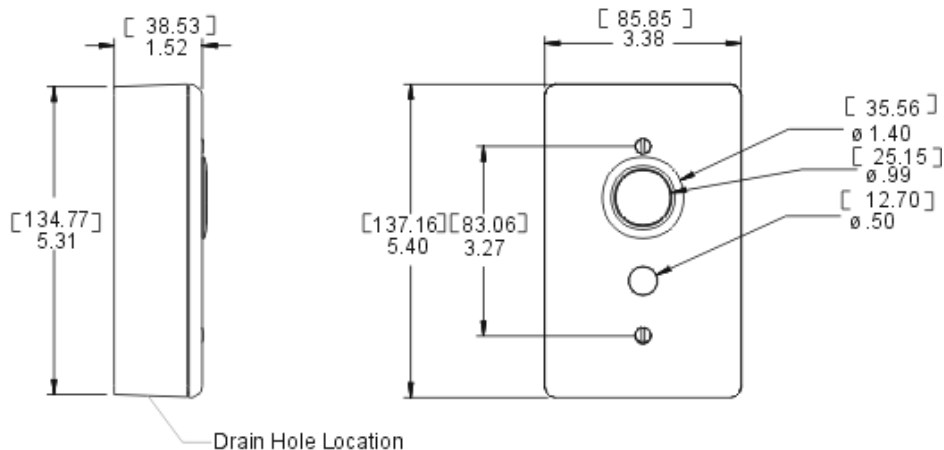


- Microprocessor Controlled
- Monitors Entry to Pool and Spa Areas
- Weather Resistant for Outdoor Use
- Instant On or 7 Second Delay Models Available
- Low Battery Indicator
- Closed Loop 410P Switch Set With 5' 2 Conductor Cable
- Color: Gray

The GT10-2 and GT10-4 can be operated independently with an on-board 9 volt battery or with a 12 volt externally supplied DC power source. Both power sources have been designed to maintain maximum sound pressure level, currently rated at 85 dB.

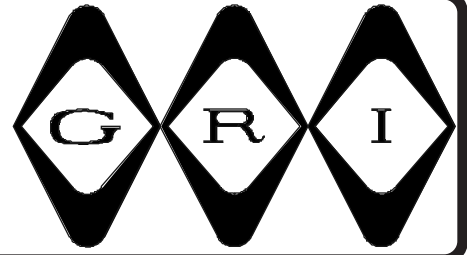
**WARNING: THIS IS NOT A LIFE SAVING DEVICE.**

**GT10-2/GT10-4**



**GT10-2/GT10-4 Gate Mount Pool Alarm**

# GATE MOUNT POOL ALARM



## CLOSED LOOP

- ◆ Microprocessor Controlled
- ◆ Monitors Entry to Pool and Spa Areas
- ◆ Weather Resistant For Outdoor Use
- ◆ Instant On or 7 Second Delay Models Available
- ◆ Low Battery Indicator
- ◆ Closed Loop 410P Switch Set With 5' 2-Conductor Cable
- ◆ Color: Grey



The new GRI GATE MOUNT POOL ALARM was designed as an aid for prevention of an unattended access to a pool/spa area by a small child. Monitoring all gates with CLOSED LOOP magnetic reed switches, the GATE MOUNT POOL ALARM will sound an alarm should anyone too small to manage the adult pass thru feature attempt access to the pool/spa area. For maximum protection all moveable openings should be protected in such a manner by the GRI GATE MOUNT POOL ALARM.

The GT10-2 and GT10-4 can be operated independently with an on-board 9 volt battery or with a 12 volt externally supplied DC power source. Both power sources have been designed to maintain a maximum sound pressure level of 85db at 10'. Estimated battery life is approximately 180 days based on no alarm soundings during that time lapse. Should the battery voltage drop below 7 volts, a low battery mode will be initiated and the unit will sound 3 beeps approximately every 30 minutes for one to two weeks prior to total battery failure. Battery must be replaced at this time, and the cause of power failure determined and restored.

NOTE: Unit will function at minimum 5VDC at a very limited sounder volume. This power level is considered total battery failure.

CLEANING: Periodic cleaning of sounder and box are required to maintain sound level.

CAUTION: To prevent a memory failure or circuit damage, external power source not to exceed 15 VDC.

WARNING: Environmental conditons, such as wind, may affect the sound level.

### PART NUMBERS

GT10-2

GT10-4

### DESCRIPTION

Gate Mount Pool Alarm - 7 Second Delay - Closed Loop

Gate Mount Pool Alarm - Instant On - Closed Loop

## WARNING: THIS IS NOT A LIFE SAVING DEVICE.

GEORGERISK INDUSTRIES, INC.  
GRI PLAZA  
KIMBALL, NE 69145



MADE IN U.S.A.

TOLL-FREE 1-800-445-5218

TOLL-FREE 1-800-523-1227

(308) 235-4645

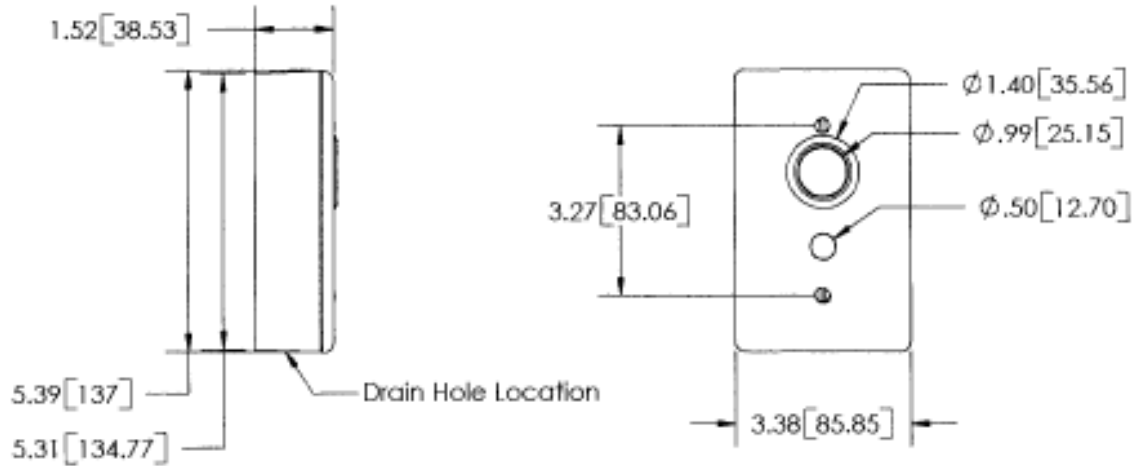
FAX (308) 235-3561

E-MAIL: [grisales@megavision.com](mailto:grisales@megavision.com)

WEB SITE: [www.grisk.com](http://www.grisk.com)



# GATE MOUNT POOL ALARM



**GT10-2/GT10-4**

## INSTALLATION INSTRUCTIONS:

The GRI GATE MOUNT POOL ALARM mounts easily to the fence by any gate which allows access to the pool/spa area. Using a CLOSED LOOP magnetic reed switch, the unit will detect and announce an open access by sounding a loud continuous alarm. Two timed options are offered: A maximum seven (7) second delay mode prior to sounding upon gate opening, or an instant alarm sounding upon activation. Both versions incorporate a built-in pass thru feature shunt button to allow adult access without alarm sounding. Although the GATE MOUNT POOL ALARM cannot be turned off, this feature will simply deactivate the alarm function for a maximum of fifteen (15) seconds. During this time span the adult must exit and close the gate before alarm sounds. Once the alarm is sounding it can not be silenced by simply closing the gate. The shunt button must also be depressed. The sounder cannot be disabled by holding down the shunt button.

## WARRANTY:

One year warranty against workmanship, material and factory defects.

GEORGE RISK INDUSTRIES, INC.  
GRI PLAZA  
KIMBALL, NE 69145



MADE IN U.S.A.

TOLL-FREE 1-800-445-5218  
TOLL-FREE 1-800-523-1227  
(308) 235-4645  
FAX (308) 235-3561  
E-MAIL: [grisales@megavision.com](mailto:grisales@megavision.com)  
WEB SITE: [www.grisk.com](http://www.grisk.com)

# PRODUCT DESCRIPTION FOR THE GATE MOUNT POOL ALARM

## APPLICATION:

The GRI GATE MOUNT POOL ALARM is designed as an aid to detect unsupervised access to a pool/spa area by a small child. Monitoring all gates with magnetic reed switches the GATE MOUNT POOL ALARM will sound an alarm should anyone too small to manage the adult pass through feature attempt access to the pool/spa area. For maximum protection all moveable openings should be protected in such a manner by the GRI GATE MOUNT POOL ALARM.

## DESCRIPTION:

The GRI GATE MOUNT POOL ALARM uses a microprocessor to monitor the CLOSED LOOP magnetic reed switches, delay/reset button, battery and power supply voltages, and to provide the timing options. The GATE MOUNT POOL ALARM may be easily mounted to an existing structure.

The 7 SECOND version offers a seven second delay in which an adult may open the protected gate, shut it, and then press the reset button without the alarm sounding.

The INSTANT ON version will alarm instantly if the protected gate is open before the delay button is pressed.

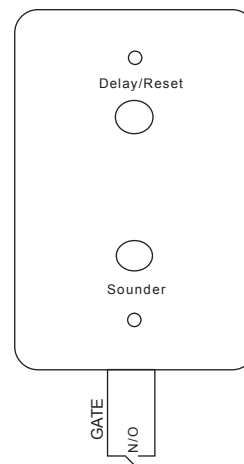
Both versions may be operated with an onboard 9 volt battery or a 12 volt externally supplied DC power source. The GATE MOUNT POOL ALARM is designed to maintain a maximum sound pressure level, currently rated at 85 dB at 10 ft.

## MODEL NUMBER AND VERSION

GT10-2	Gate Mount PoolAlarm w/7 Second Delay - Closed Loop
GT10-4	Gate Mount PoolAlarm Instant On - Closed Loop

## INSTALLATION WIRING DIAGRAM

Single Gate



**Figure 1.** Wiring Diagram

*Con't next page....*

## **INSTALLATION INSTRUCTIONS**

### **A) Installing the Gate Sensor**

**NOTE: Closed Loop Switch Required.**

The GRI GATE MOUNT POOL ALARM uses CLOSED LOOP (Normally Open) magnetic reed switches. Install the magnetic reed switch on the gate according to the manufacturer's installation instructions. Next run the wires from the switch(es) to where the GATE MOUNT POOL ALARM will be located on the wall/fence.

### **B) Installing the GATE MOUNT POOL ALARM**

**NOTE:** The GATE MOUNT POOL ALARM must be mounted as per local code or regulations.

Remove the GATE MOUNT POOL ALARM from the surface mount case. Attach the surface mount case to the wall or existing fixture so that the hole in the box is on the bottom. Run the wires from the gate through the hole in the bottom of the box. Attach the switch wires to the two white wires of the gate alarm, polarity doesn't matter.

**EXTERNAL POWER SUPPLY:** If using an external 12 volt DC supply, run the wires from the power source to the alarm unit through the hole in the bottom of the box. Attach the positive voltage to the red wire on the battery strap and ground to the black wire using sealed weatherproof connectors. (3M Scotchlok IDC P/N 5400714911 or equivalent.)

**BATTERY:** If the external power option was not selected connect a standard 9 volt battery. The alarm will beep twice during power up, and then a third time 15 seconds later indicating a successful diagnostics test.

**CAUTION: Insure proper orientation for drainage.**

Lay the battery in the top of the case and reassemble the GATE MOUNT POOL ALARM with the button on the TOP and the sounder on BOTTOM. Secure with the two screws provided.

To maintain maximum sounder volume, a low battery mode will be initiated should the voltage drop below 7 volts. In low battery mode, the unit will sound 3 beeps approximately every 30 minutes for one to two weeks prior to total battery failure. The battery must be replaced at this time and the cause of power failure determined and restored. Also at this time wash out the box and sounder to remove all dirt and debris.

When the alarm is sounding, it can only be turned off by pressing the reset button. If the door is still open 15 seconds after the reset button is pressed, the alarm will sound again and continue until the door is closed and the button is pressed. If the alarm is left on for over an hour, the unit will go into a power save mode in which the unit will indicate an alarm condition by turning on the sounder for ten seconds and off for twenty seconds until reset.

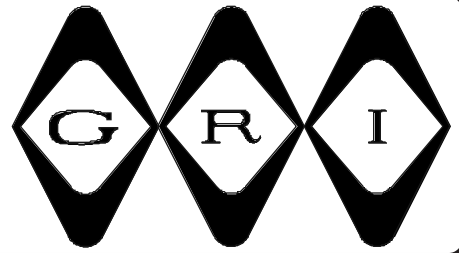
## SPECIFICATIONS:

Battery Type	Standard 9 Volt
Battery Life	Approximately 3-6 months
External Power Supply	12V DC
Low Bat Mode	7V DC
Mounting Height	Ref. Local Code
Sounder Rating	85 dB at 10 Ft. (3.5 M)
Switch	Closed Loop

**WARNING: NOT A LIFE SAVING DEVICE.** It is to be used in conjunction with current safety equipment and procedures to prevent unwanted intrusions into unsupervised areas.

**WARNING:** Environmental conditions such as wind, rain, etc. may affect the sounder volume of the GATE MOUNT POOLALARM.

# PLUG-IN POWER SUPPLIES



## #6973

- ◆ Input 120VAC±10%, 60 Hz
- ◆ EMI: Meets FCC Part 15 Class B
- ◆ Short Circuit Protection
- ◆ Thermal Protection Built-in
- ◆ 100% Testing
- ◆ Material: ABS Resin/UL 94-V0
- ◆ Color: Black ◆ No Audible Noise
- ◆ For Use With 189/288/289 Series Door Alert Annunciators, Pool Alarms and PRM-1 Programmable Relay Module



**6973**  
**UL 1310 Listing**  
**with UL 1411**

---

## AC/DC Adaptor #8065

- ◆ Screw Terminal Connections
- ◆ 12V DC Regulated
- ◆ 500 mA Power Supply
- ◆ Red LED Indicator
- ◆ Built-in Cable Strain Relief
- ◆ Mounting Tab & Mounting Screw
- ◆ Recommended For Use With 189/289 Series Pool Alarms



**8065**  
**Class II U.L.**

GEORGE RISK INDUSTRIES, INC.  
G.R.I. PLAZA  
KIMBALL, NE 69145

BA-166 Rev E



MADE IN U.S.A.

TOLL-FREE 1-800-445-5218  
TOLL-FREE 1-800-523-1227  
(308) 235-4645  
FAX (308) 235-3561  
E-MAIL: [grisales@megavision.com](mailto:grisales@megavision.com)  
WEB SITE: [www.grisk.com](http://www.grisk.com)