

## Magnetic Contacts with Built-in Resistors

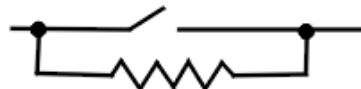


6644

- Supervision For Open and Closed Loop Systems
- Eliminates Soldering on the Job
- Cost Effective
- Standard Switch Uses 1/8 Watt Resistors
- Most Popular Security Panel Resistor Values Available. Please State Value When Ordering.
- Closed Loop Switches have Resistors in Series to Switch
- Open Loop Switches have Resistors Parallel to Switch
- Resistor Only Packs Are Available for Retro-Fits
- Available in Standard Colors



Series Resistor

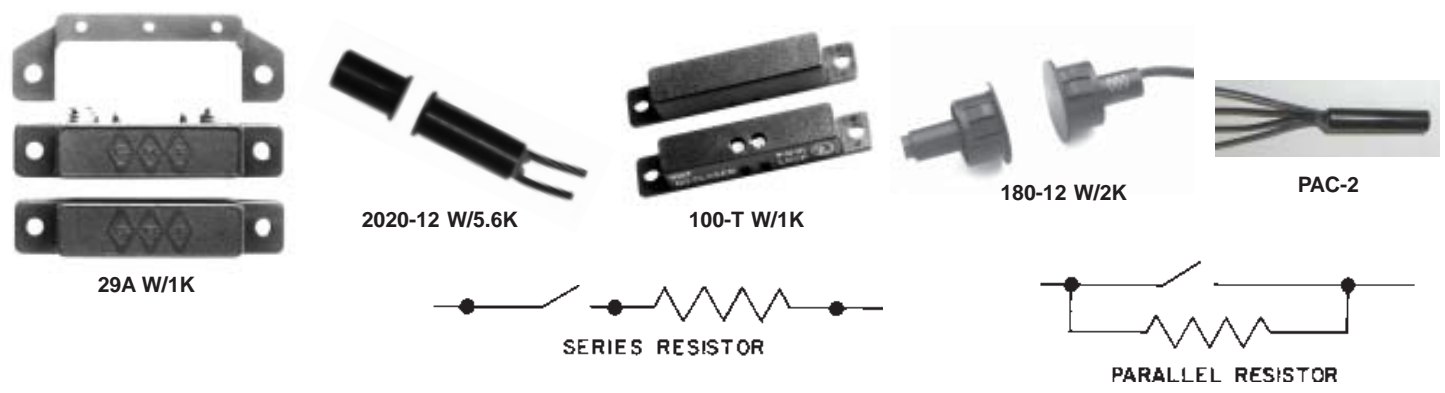


Parallel Resistor

# MAGNETIC CONTACTS WITH BUILT-IN E.O.L. RESISTORS AND RESISTOR PACKS



- ◆ Supervision For Open and Closed Loop Systems
- ◆ Eliminates Soldering on the Job    ◆ Standard Switch Uses 1/8 or 1/4 Watt Resistors
- ◆ Closed Loop Switches Have Resistors In Series To Switch
- ◆ Open Loop Switches Have Resistors Parallel To Switch
- ◆ Resistor Only Packs Are Available For Retro-Fits    ◆ Available In Standard Colors



Magnetic contacts with end of line resistors are available in most G.R.I. products where size restrictions permit. Resistor only packs can be custom designed to your specifications using commonly available values. Available in, or without a case. Our very popular 6644 features 2 - 1K 1/8 watt 5% carbon film resistors in our 50R brown case with 2 blue and 2 black 12-inch leads.

The ideal position for the end of line resistor (E.O.L.) is at the farthest point from the panel in the zone loop. This will confirm the integrity of most, if not all, of the wiring between the panel and the last device installed on the zone loop, thus preventing any intentional or accidental compromise of the security zone loop. The closer the E.O.L. is mounted to the panel in the wiring loop, the greater the possibility of compromise of the unprotected loop wiring after the resistor position. Door and window contacts with built-in resistors are the absolute best and easiest way of placing the end of line resistor in that ideal position. Resistors are available in most all popular values in 1/8 or 1/4 watt depending on size constraints. Multi-resistor configurations in conjunction with built-in switches are offered, as well as resistor only packages. Most popular security panel resistor values available. Please state value when ordering. Contact factory for ordering information.

Sample Part Numbers for G.R.I. Magnetic Contacts with End Of Line Resistors:		
100-T-W W/1K	20RS-T-W W/3.3K	8080-T-W W/2-10K
180-12-B W/2K	29A-W W/10K	8240 (4400A W/1-360 OHM in series and 1 - 1.8K in parallel)
2020-12-W W/5.6K	4532C W/33K	

**WARRANTY:**

Lifetime warranty against workmanship, material and factory defects.

GEORGE RISK INDUSTRIES, INC.  
G.R.I. PLAZA  
KIMBALL, NE 69145



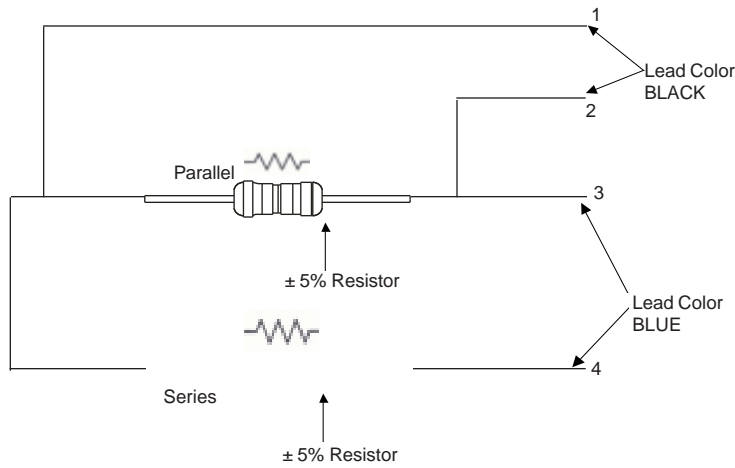
TOLL-FREE 1-800-445-5218  
TOLL-FREE 1-800-523-1227  
(308) 235-4645  
FAX (308) 235-3561  
E-MAIL: grisales@megavision.com  
WEB SITE: www.grisk.com

# MAGNETIC CONTACTS WITH BUILT-IN E.O.L. RESISTORS AND RESISTOR PACKS



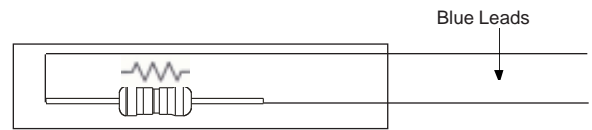
In addition to building switches with E.O.L. Resistors inside the switch case, GRI assembles just the resistors in convenient packages to help in the installation of E.O.L. loads and supervision needs. For 2 or more independent resistors in one case, call factory with specifications.

## RESISTOR PACKS:



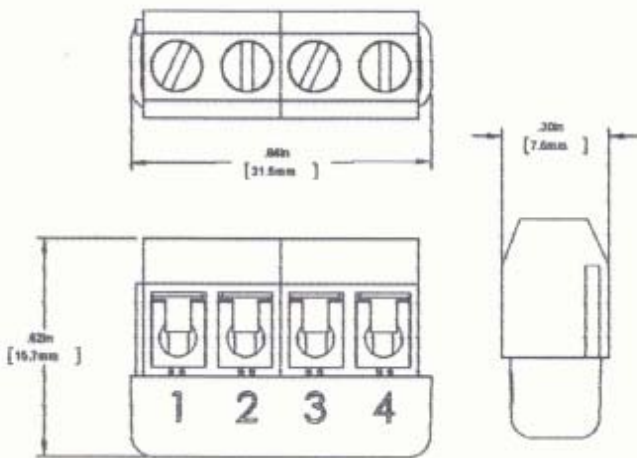
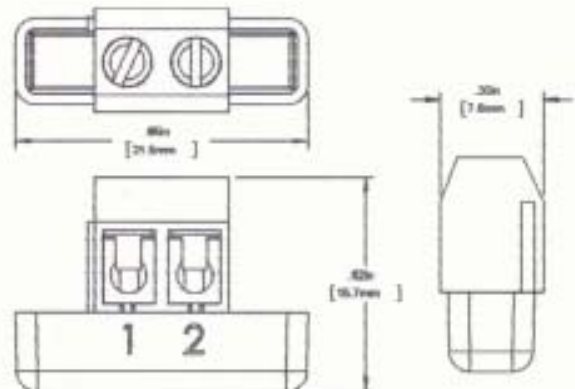
**R1:** 1 Resistor. Designate your value.

50R Case



$\pm 5\%$  Resistor

**R1-T:** Single EOL resistor, screw terminal. Specify value.



### 6644T

1 and 2 Switch/Trigger  
3 and 4 Panel/Device

**Note:**  
See Information  
in box.

## STANDARD SERIES PARALLEL RESISTOR PACKS

Part #	Switch or Trigger	Control Panel on Terminal	Resistor Reading $\pm 5\%$	
			Switch Open	Switch Closed
6644T	1 & 2	3 & 4	2K	1K
8366-T	3 & 4	1 & 2	10K	5K

Sampling of Resistor Packs & Part Numbers.  
Call G.R.I. for additional values and part numbers.

GEORGE RISK INDUSTRIES, INC.  
G.R.I. PLAZA  
KIMBALL, NE 69145



MADE IN U.S.A.

TOLL-FREE 1-800-445-5218  
TOLL-FREE 1-800-523-1227

(308) 235-4645

FAX (308) 235-3561

E-MAIL: [grisales@megavision.com](mailto:grisales@megavision.com)

WEB SITE: [www.grisk.com](http://www.grisk.com)