

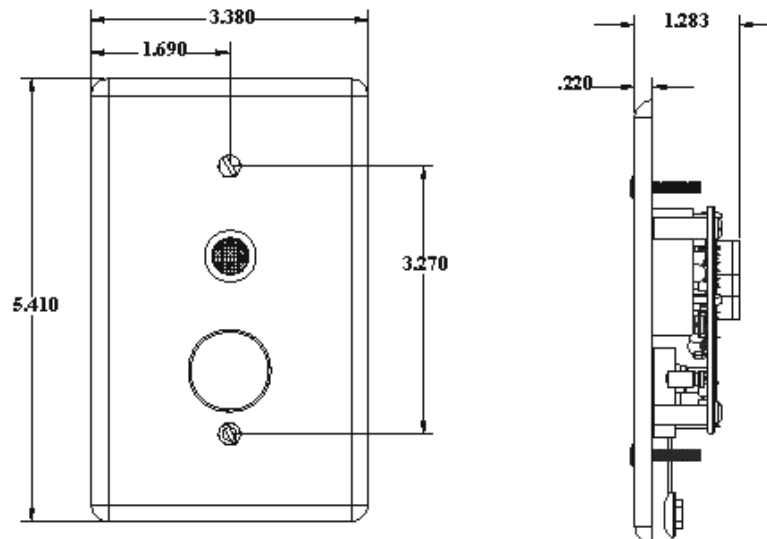
ETL Listed Pool Alarms - Open Loop



- ETL tested to be in compliance with standard for safety, UL 2017, and Florida Building commission Code
- Exceeds operational requirements of Model Barrier Codes
- Microprocessor Controlled
- Monitors entry to Pool and Spa areas
- Instant on or 7 second delay models available
- Surface or flush mount models
- 15 second adult shunt option
- Built-in back-up battery capable
- Must be hard wired using remote 12 volt maximum 500 mA source or Plug in power source. Applied voltage must not exceed 15 VDC.

WARNING: THIS IS NOT A LIFE SAVING DEVICE.

189



189 GRI Pool Alarm

ETL LISTED POOL ALARM



OPEN LOOP



- ◆ ETL Tested To Be In Compliance With Standard for Safety, UL 2017, and Florida Building Commission Code Requirements, Per ETL Listing Number 3035022
- ◆ Exceeds Operational Requirements of Model Barrier Codes
- ◆ Microprocessor Controlled
- ◆ Monitors Entry to Pool and Spa Areas
- ◆ Instant On Or 7 Second Delay Models Available
- ◆ Surface or Flush Mount Models
- ◆ 15 Second Adult Shunt ◆ Low Battery Alert
- ◆ Built-in Back-up Battery Capable
- ◆ Must Be Hard Wired To Remote 12 Volt maximum 500 mA Source or To Plug In Power Source.
Applied Voltage Must Not Exceed 15 VDC.

The new GRI DOOR ALERT/POOL ALARM was designed as an aid for prevention of an unattended access to a pool/spa area by a small child. Monitoring all doors or windows with OPEN LOOP magnetic reed switches, the DOOR ALERT/POOL ALARM will sound an alarm should anyone too small to manage the adult pass thru feature attempt access to the pool/spa area. For maximum protection all moveable openings should be protected in such a manner by the GRI DOOR ALERT/POOL ALARM.

The 189-1, 189-2, 189-3 and 189-4 must be operated with a 12 volt externally supplied DC power source. An onboard 9-volt battery may be installed, in which case the battery will perform a back-up function should the externally supplied source fail for any reason. Both power sources have been designed to maintain a minimum sound pressure level of 85db at 10'. Should the battery voltage drop below 7 volts, a low battery mode will be initiated and the unit will sound 2 beeps approximately every 3 seconds for one to two weeks prior to total battery failure. Battery must be replaced at this time, and the cause of power failure determined and restored.

It is suggested that some type of surge protection, such as the GRI CS-1 Current Sensor, be used between the power supply and all GRI Pool Alarms using external power.

NOTE: Unit will function at minimum 5VDC at a very limited sounder volume. This power level is considered total battery failure.

PART NUMBERS	DESCRIPTION
189-1	Recessed DoorAlert/Pool Alarm 7 Second Delay - Open Loop
189-2	Surface Mount Door Alert/Pool Alarm 7 Second Delay - Open Loop
189-3	Recessed Door Alert/Pool Alarm - Instant On - Open Loop
189-4	Surface Mount Door Alert/Pool Alarm - Instant On - Open Loop
189-1C	Recessed DoorAlert/Pool Alarm 7 Second Delay - Open Loop - With C Form Relay
189-2C	Surface Mount Door Alert/Pool Alarm 7 Second Delay - Open Loop - With C Form Relay
189-3C	Recessed Door Alert/Pool Alarm - Instant On - Open Loop - With C Form Relay
189-4C	Surface Mount Door Alert/Pool Alarm - Instant On - Open Loop - With C Form Relay

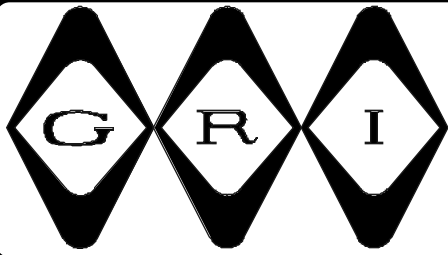
WARNING: THIS IS NOT A LIFE SAVING DEVICE.

GEORGE RISK INDUSTRIES, INC.
GRI PLAZA
KIMBALL, NE 69145



MADE IN U.S.A.

TOLL-FREE 1-800-445-5218 • 1-800-523-1227
(308) 235-4645 • FAX (308) 235-3561
E-MAIL: grisales@megavision.com
WEB SITE: www.grisk.com



ETL LISTED POOL ALARM

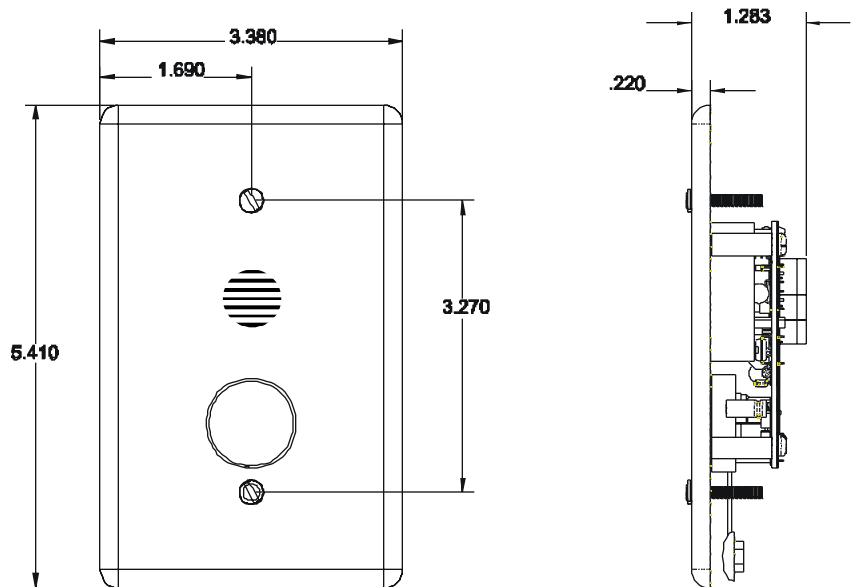
INSTALLATION INSTRUCTIONS:

The GRI DOOR ALERT/POOL ALARM mounts easily to the wall by any door or window which allows access to the pool/spa area. Using an OPEN LOOP magnetic reed switch, the unit will detect and announce an open access by sounding a loud continuous alarm. Two timed options are offered: A maximum seven (7) second delay mode prior to sounding upon door opening, or an instant alarm sounding upon activation. A surface mount and a recessed mount model are offered in both time options for a total of 4 different versions. All versions incorporate a built-in pass thru feature and deactivation button to allow adult access without alarm sounding. Although

the DOOR ALERT/POOL ALARM cannot be turned off, this feature will simply deactivate the alarm function for a maximum of fifteen (15) seconds. During this time span the adult must exit and close the door before alarm sounds. Once the alarm is sounding it can not be silenced by simply closing the door. Deactivation button must also be depressed. The sounder cannot be disabled by holding down the deactivation button.

If a screen is present on the opening giving access to the pool, a second OPEN LOOP switch should be mounted on it and both switches wired in series. This configuration will allow the door to be open for ventilation since the unit will activate only when both the screen and the door or window are opened.

If multiple openings lead to the area, the GRI DOOR ALERT/POOL ALARM can monitor all by installing OPEN LOOP switches which are wired in parallel. In this way, any opening will be detected by the GRI DOOR ALERT/POOL ALARM. A single deactivation button can also be wired at each opening to utilize the pass thru feature. Additional remote sounders may be wired in to extend sounder coverage. Please contact your local GRI Distributor for information on remote options. Part numbers and wiring diagrams are available from the factory.



WARRANTY:

One year warranty against workmanship, material and factory defects.

GEORGE RISK INDUSTRIES, INC.
G.R.I. PLAZA
KIMBALL, NE 69145



MADE IN U.S.A.

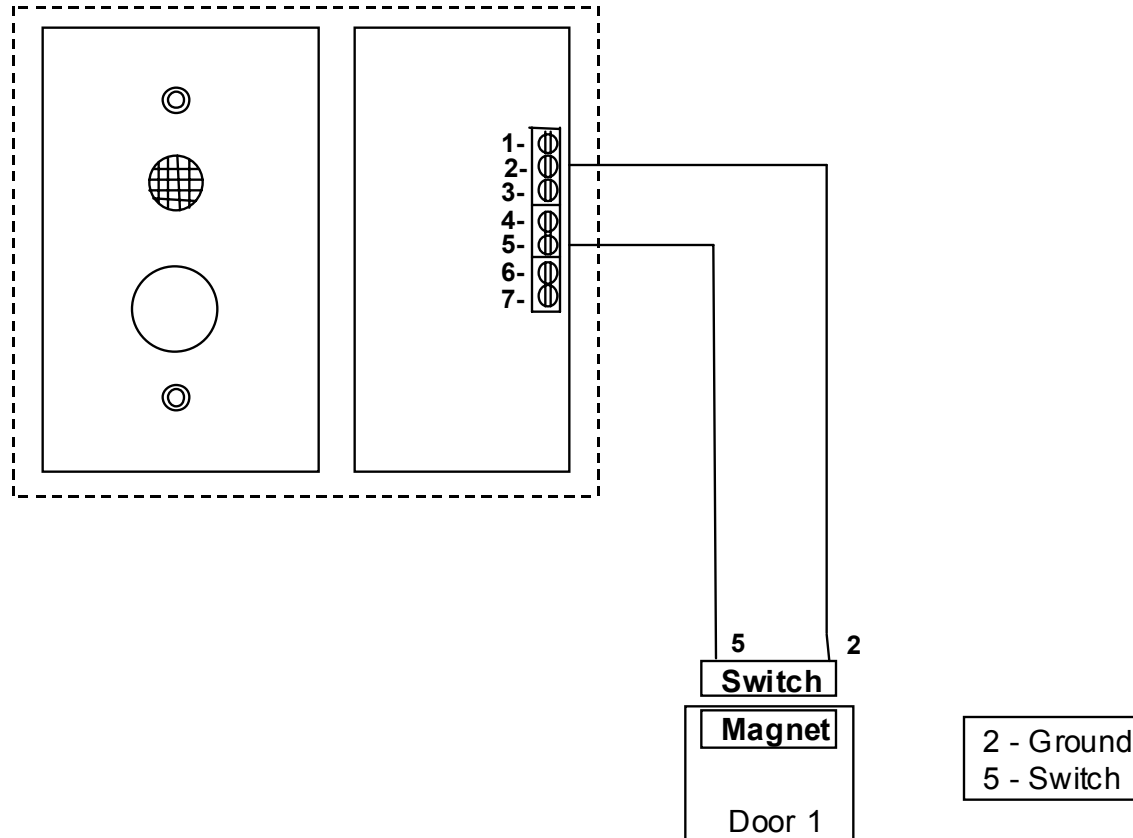
BA-204 Rev C 12/03/07

TOLL-FREE 1-800-445-5218
TOLL-FREE 1-800-523-1227
(308) 235-4645
FAX (308) 235-3561
E-MAIL: grisales@megavision.com
WEB SITE: www.grisk.com

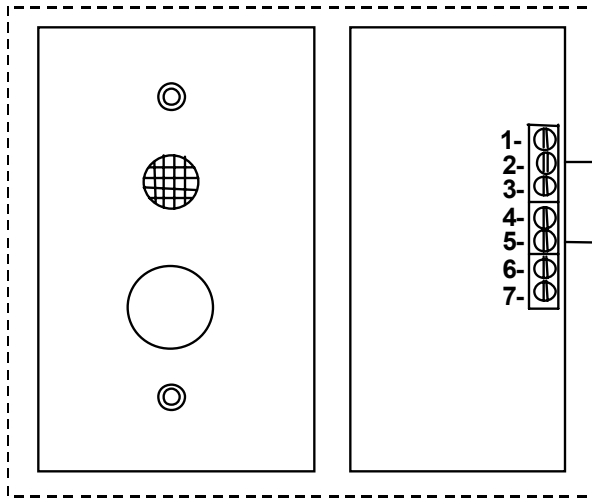
Pool Alarm Wired To A Door Switch

Closed Loop Switch Set Such As GRI 50-12

289 Series Pool Alarm

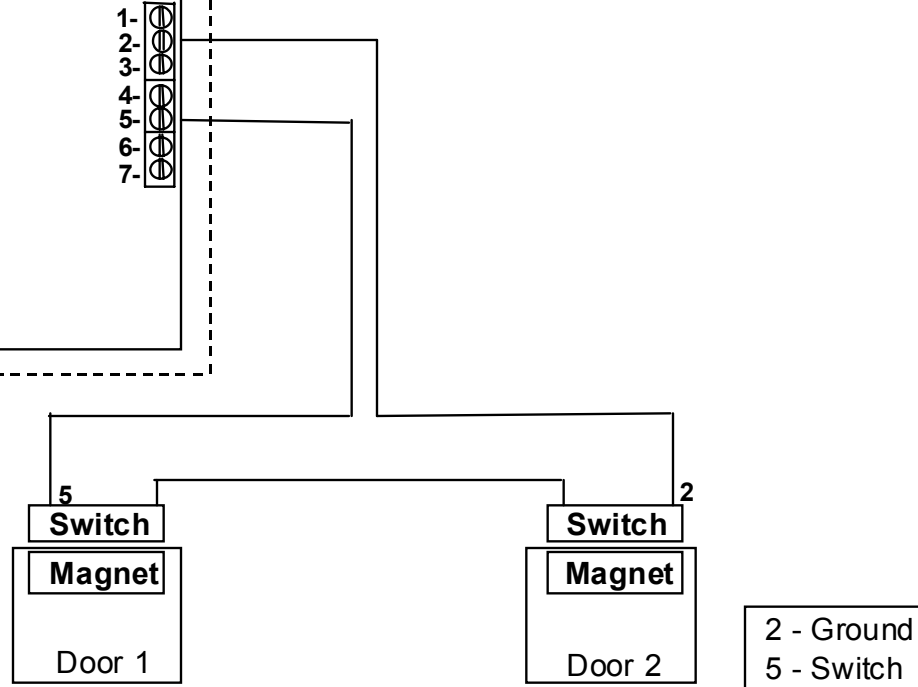


289 Series Pool Alarm

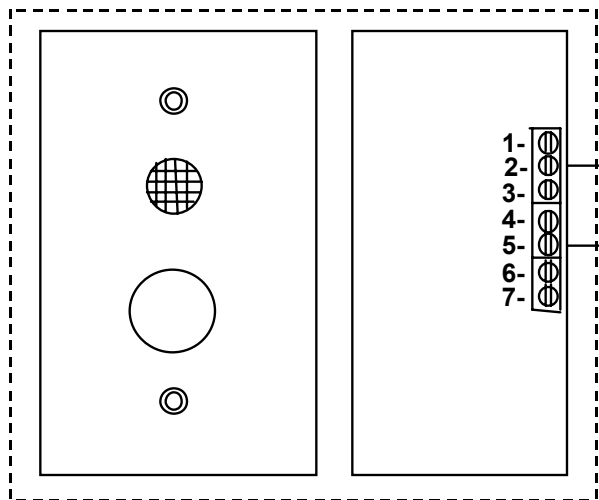


Pool Alarm Wired To Two Doors

2 Switch Sets Such As GRI 50-12 Wired In Series

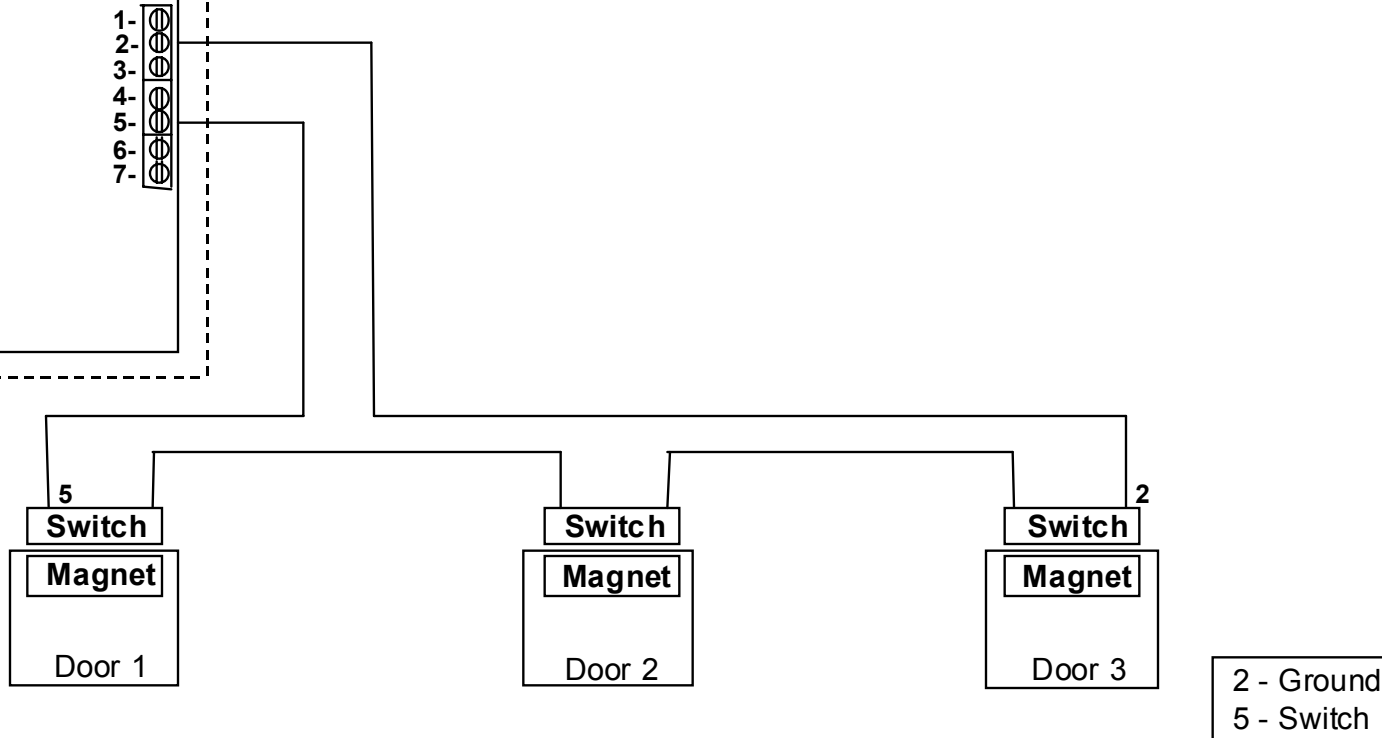


289 Series Pool Alarm

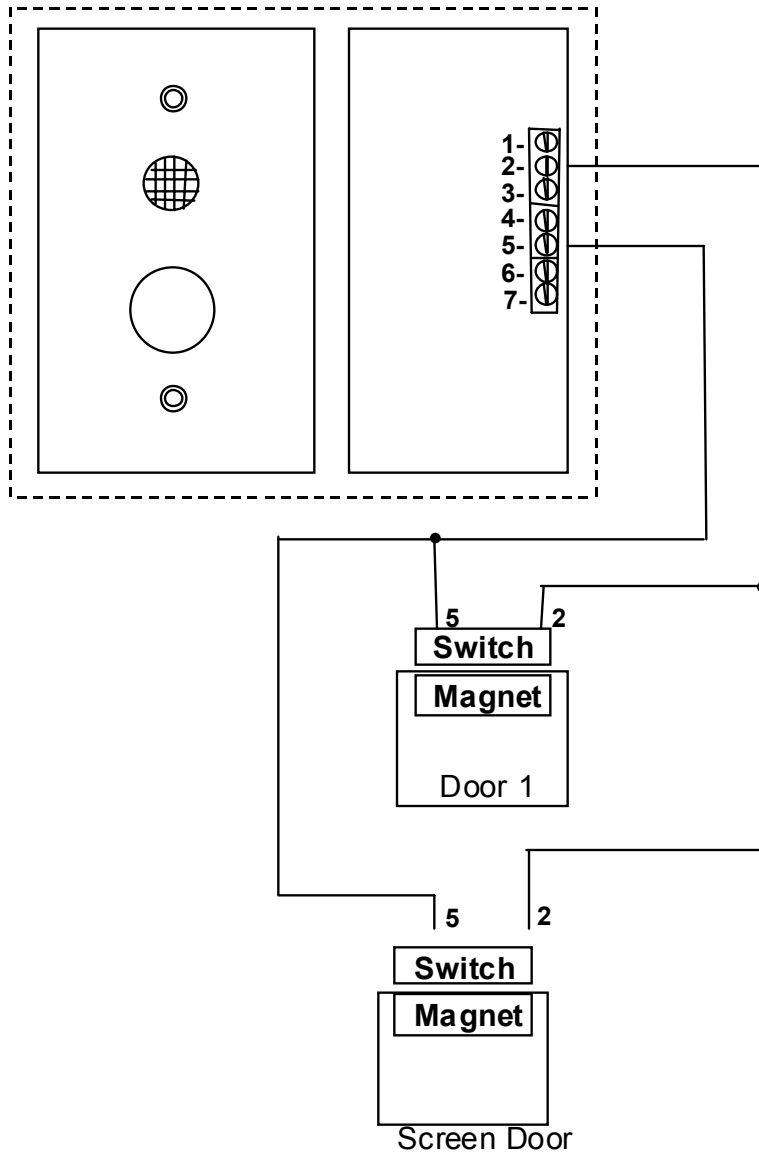


Pool Alarm Wired To Three Doors

3 Switch Sets Such As GRI 50-12 Wired In Series



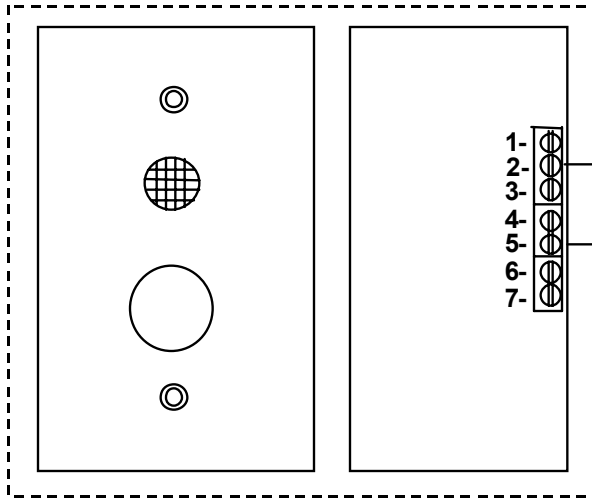
289 Series Pool Alarm



Pool Alarm Wired To A Door With A Screen Door

2 Switch Sets Such As GRI 50-12 Wired Parallel To Each Other. This Configuration Will Allow Inside Door To Remain Open.

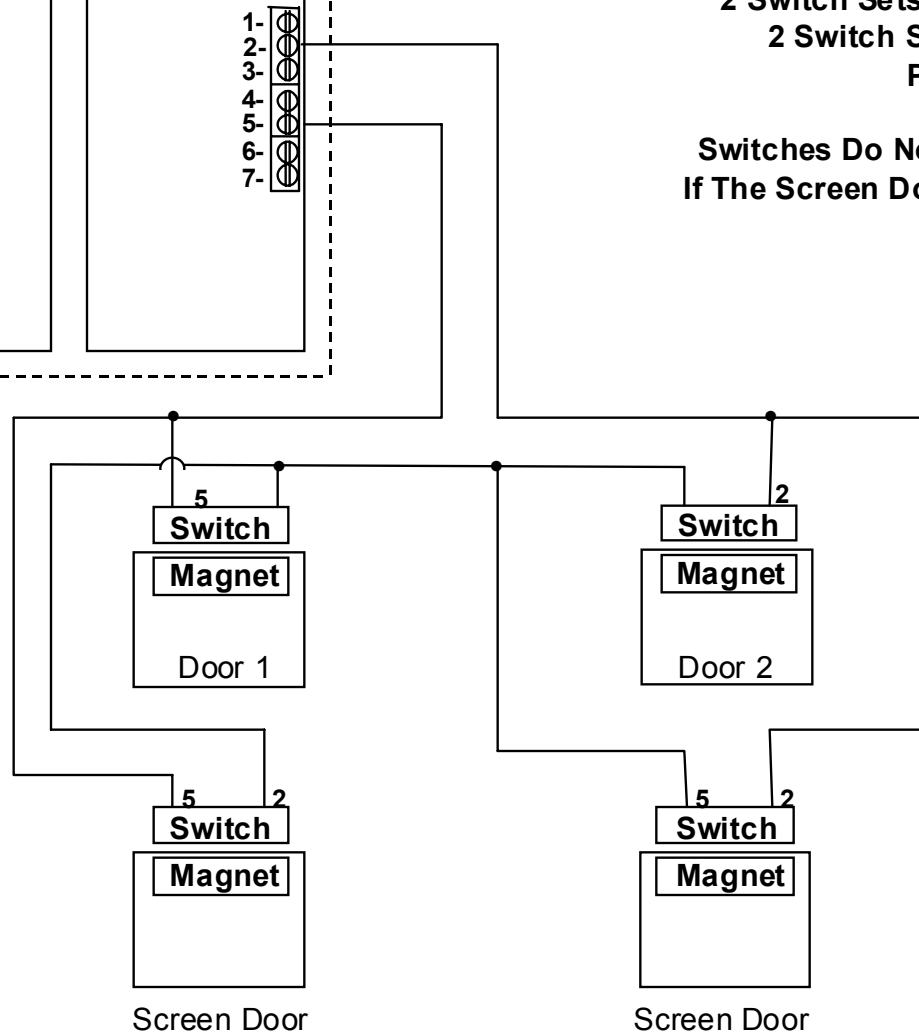
289 Series Pool Alarm



Pool Alarm Wired To Two Doors With Screen Doors

2 Switch Sets Such As GRI 50-12 Wired In Series
2 Switch Sets Such As GRI 50-12 Wired In Parallel To Door Switch

Switches Do Not Have To Be Installed On The Door If The Screen Door Is Going To Be The Last Exit Point



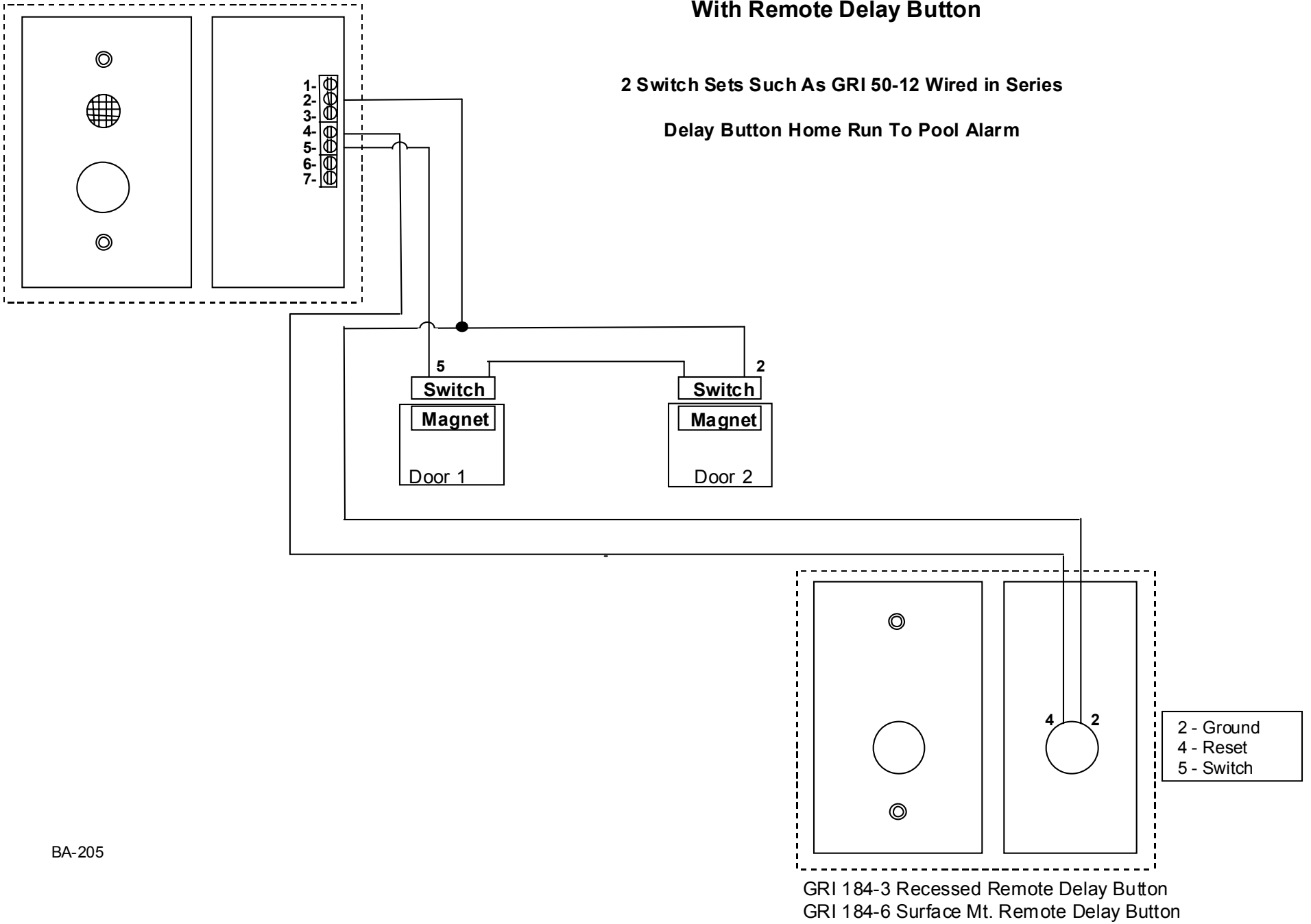
2 - Ground
5 - Switch

289 Series Pool Alarm

Pool Alarm Wired To Two Doors With Remote Delay Button

2 Switch Sets Such As GRI 50-12 Wired in Series

Delay Button Home Run To Pool Alarm

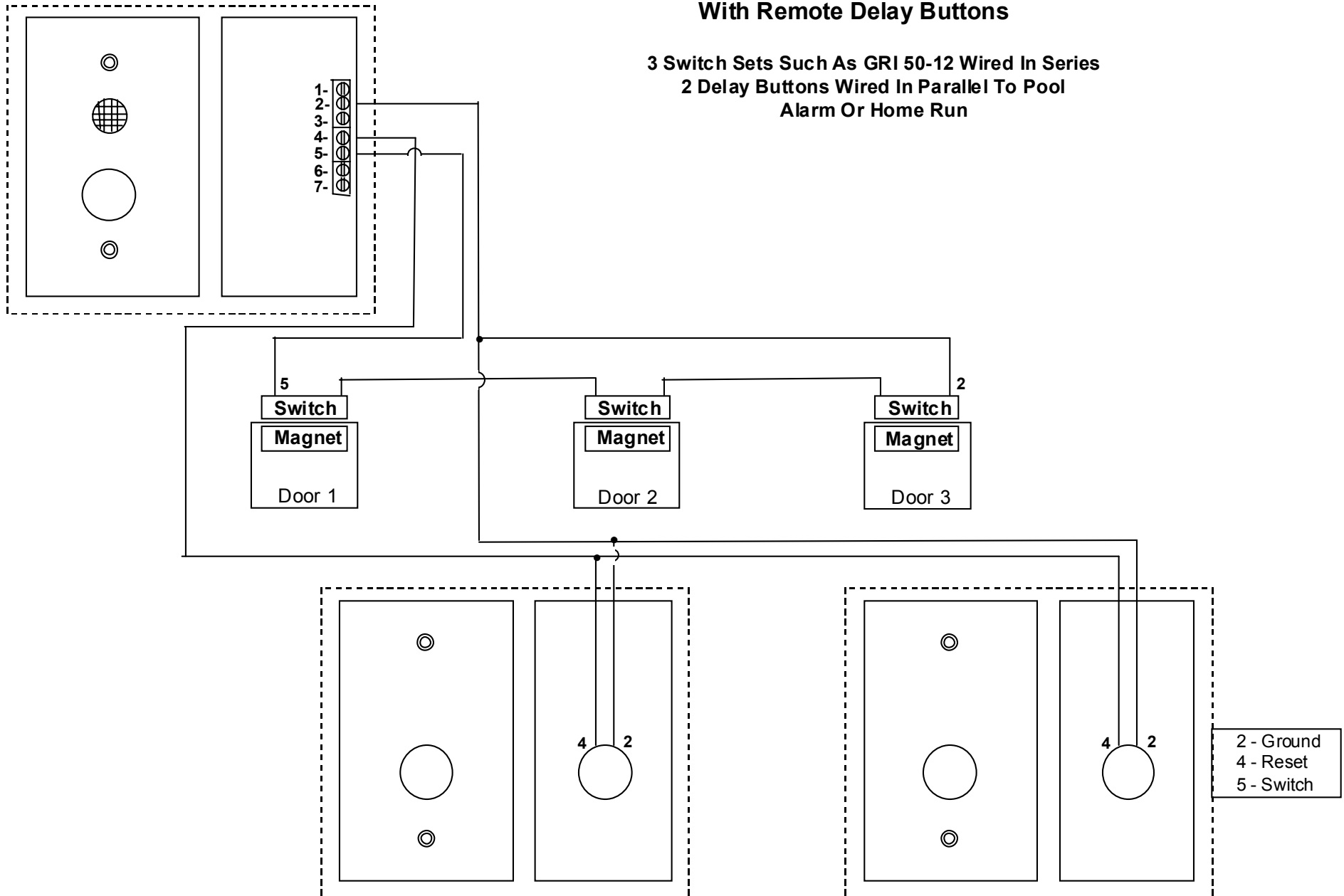


GRI 184-3 Recessed Remote Delay Button
GRI 184-6 Surface Mt. Remote Delay Button

289 Series Pool Alarm

**Pool Alarm Wired To Three Doors
With Remote Delay Buttons**

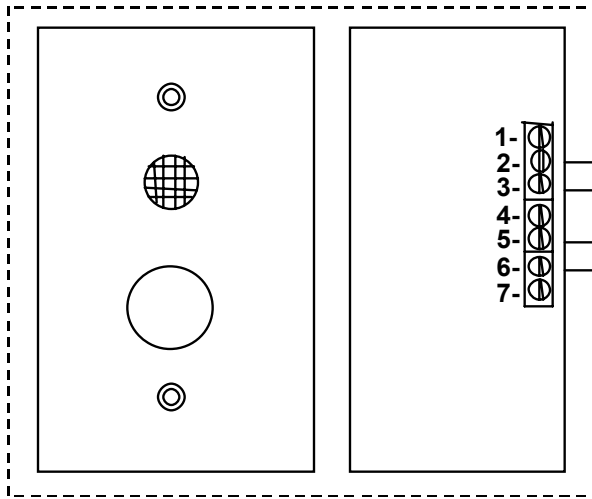
**3 Switch Sets Such As GRI 50-12 Wired In Series
2 Delay Buttons Wired In Parallel To Pool
Alarm Or Home Run**



GRI 184-3 Recessed Remote Delay Button
GRI 184-6 Surface Mt. Remote Delay Button

GRI 184-3 Recessed Remote Delay Button
GRI 184-6 Surface Mt. Remote Delay Button

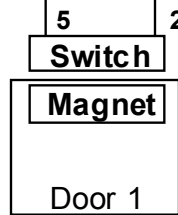
289 Series Pool Alarm



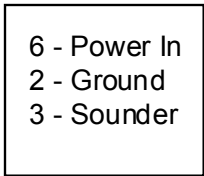
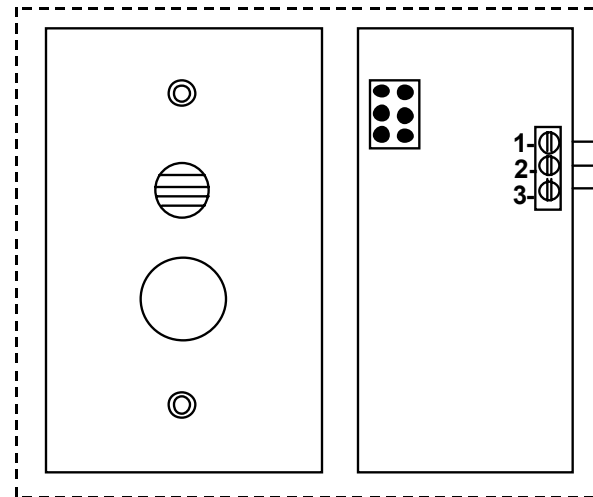
Pool Alarm Wired With Remote Sounder

Switch Set Such As GRI 50-12 Wired To Pool Alarm

Remote Sounder Home Run To Pool Alarm



GRI 184-2 Recessed Sounder
GRI 184-7 Surface Mt. Sounder

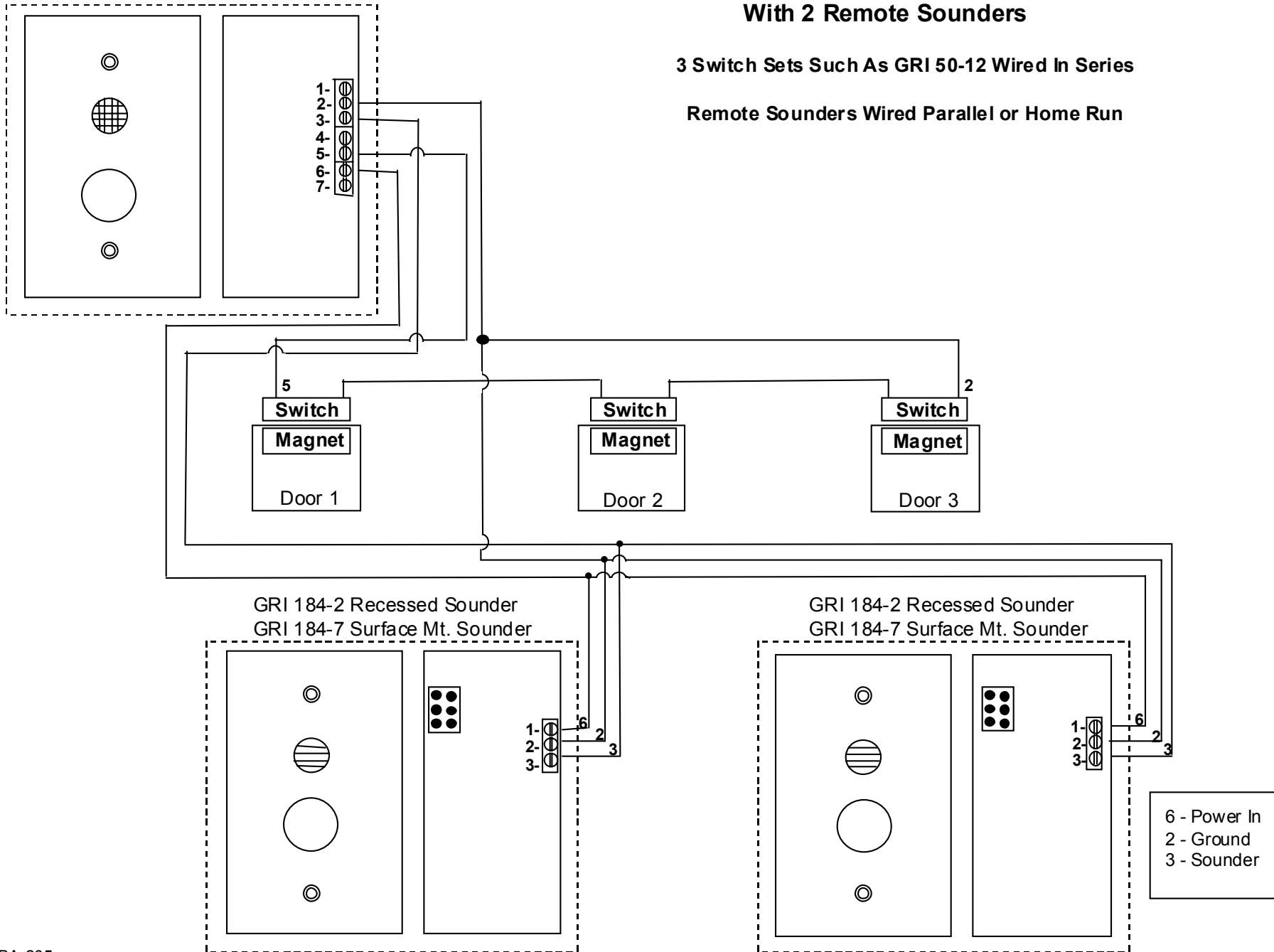


289 Series Pool Alarm

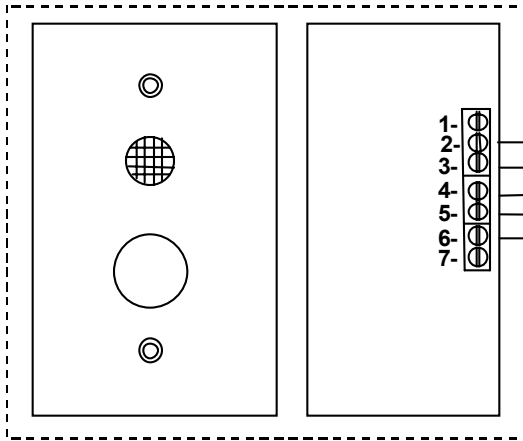
Pool Alarm Wired To Three Doors With 2 Remote Sounders

3 Switch Sets Such As GRI 50-12 Wired In Series

Remote Sounders Wired Parallel or Home Run



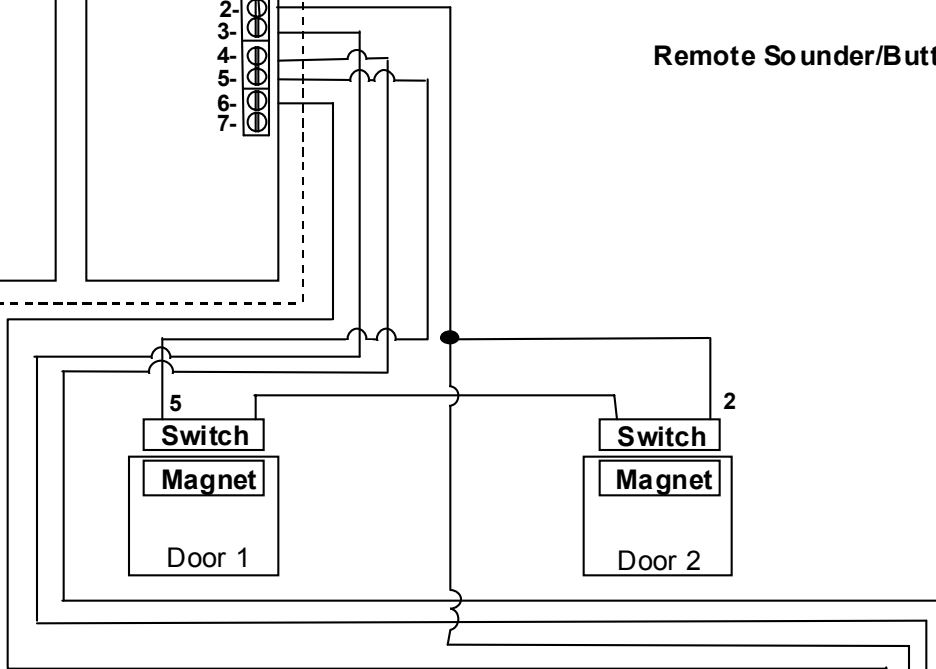
289 Series Pool Alarm



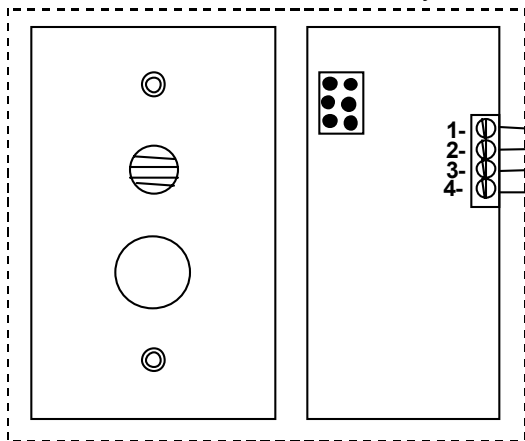
**Pool Alarm Wired To Two Doors
With Remote Sounder And
Shunt Button**

2 Switch Sets Such As GRI 50-12 Wired In Series

Remote Sounder/Button Home Run To Pool Alarm



GRI 184-4 Recessed Sounder/Delay Reset
GRI 184-8 Surface Mt. Sounder/Delay Reset

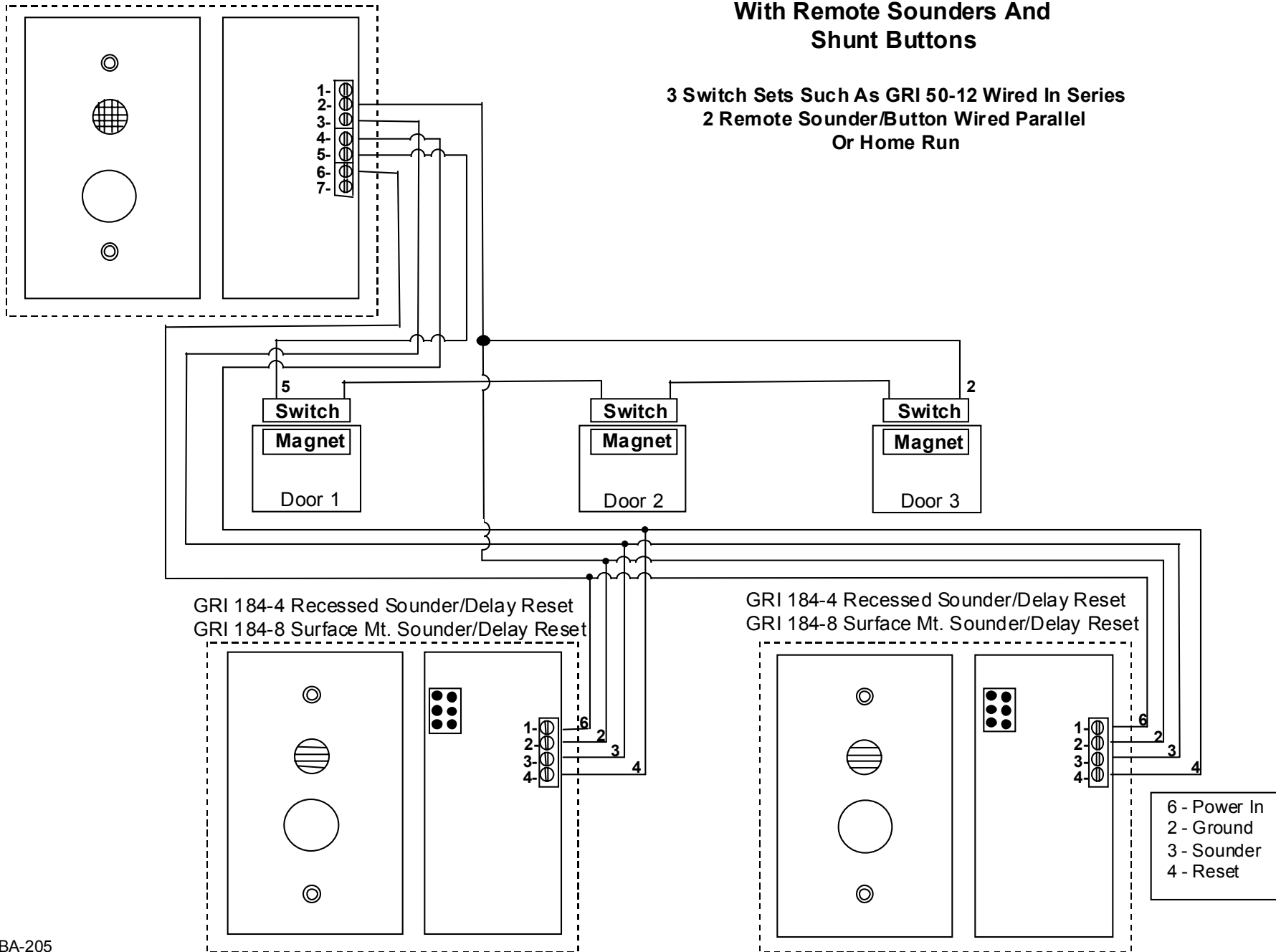


- 6 - Power In
- 2 - Ground
- 3 - Sounder
- 4 - Reset

289 Series Pool Alarm

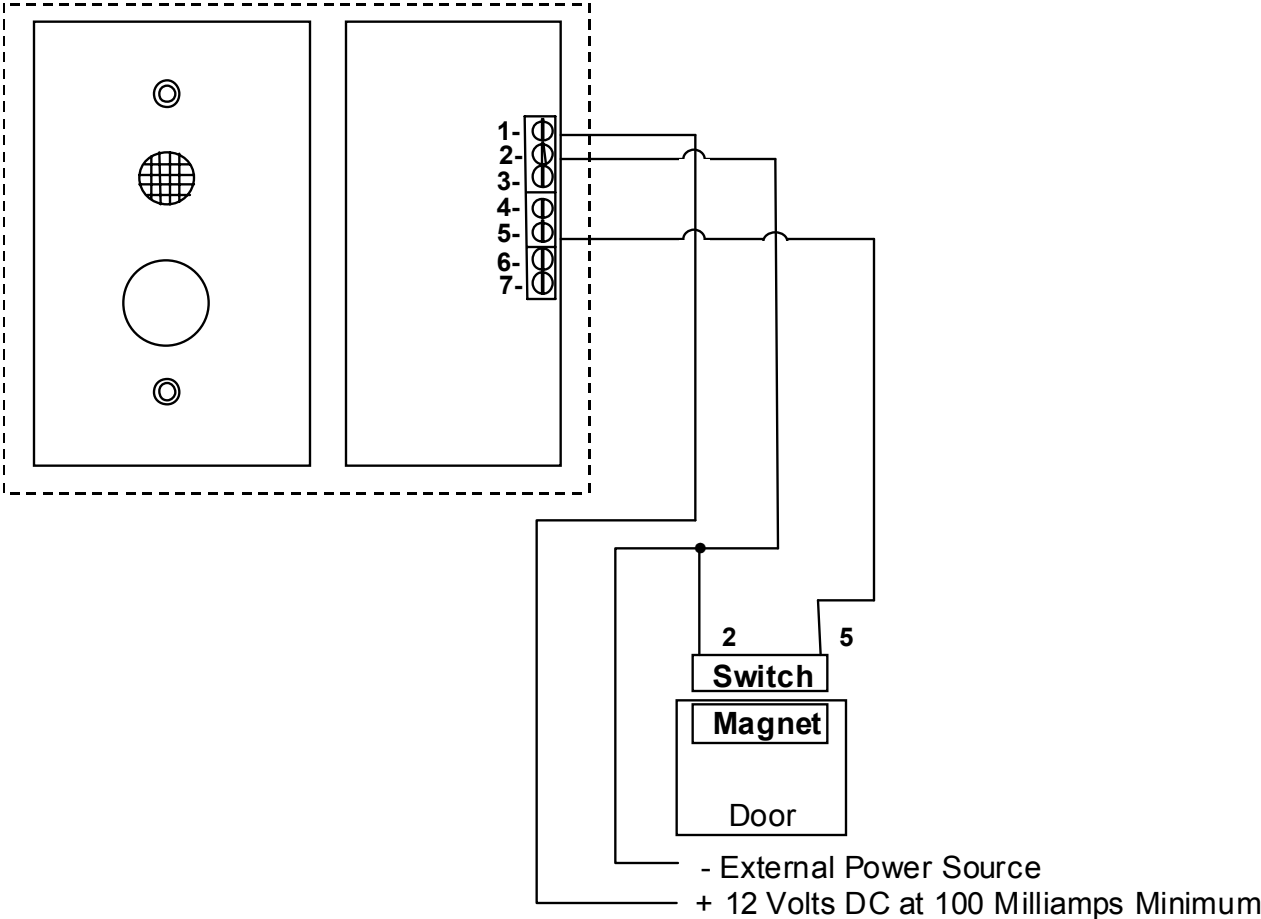
**Pool Alarm Wired To Three Doors
With Remote Sounders And
Shunt Buttons**

**3 Switch Sets Such As GRI 50-12 Wired In Series
2 Remote Sounder/Button Wired Parallel
Or Home Run**



Pool Alarm Wired To An External Power Source
Switch Set Such As GRI 50-12

289 Series Pool Alarm



**Pool Alarm Wired To An Alarm
Of A Different Voltage With
Switch Set Such As GRI 50-12**

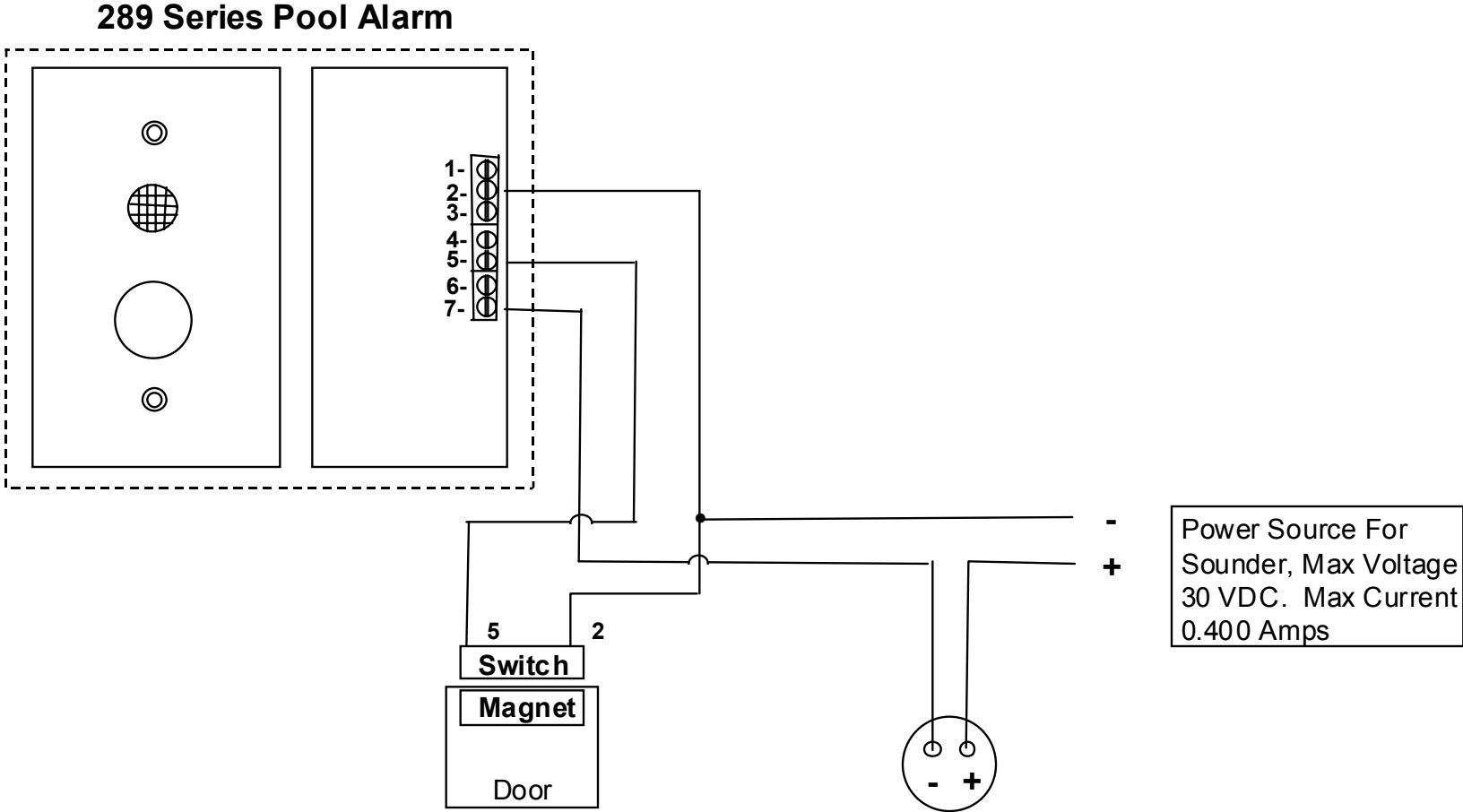
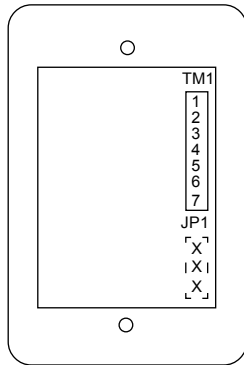


Figure 2.
Terminal
Connections
& Jumpers



TERMINAL TM1	PIN	
External Power (+)	1	
Ground	2	Door Contact Connections
Remote Sounder Controller	3	
Remote Reset/Delay Switch	4	
Door Contact	5	
Remote Sounder Power (+)	6	
Alarm Signal	7	

The jumpers on JP1 are factory preselected. Alteration can effect timing and/or delay function.



Battery Clip
Recommended
alkaline battery

It is suggested that some type of surge protection, such as the GRI CS-1 Current Sensor, be used between the power supply and all GRI Pool Alarms using external power.

NOTE: Unit will function at minimum 5VDC at a very limited sounder volume. This power level is considered total battery failure.

SPECIFICATIONS:

Battery Type	Standard 9 Volt
Battery Life	Approximately 2 weeks
External Power Supply	12V DC 500 mA Output Applied Voltage must not exceed 15 Volts DC
Low Bat Mode	7V DC
Mounting Height	Ref. Local Code
Sounder Rated Switch	85 dB at 10 Ft. (3.5 M) Closed Loop

WARRANTY: One year against workmanship, material and factory defects.

DISCLAIMER

The G.R.I. Door Alert/Pool Alarm is not a life saving device. Its' intent is to serve strictly as a monitoring device on doors and windows to help prevent unattended access to pool and spa areas.

**PRODUCT DESCRIPTION FOR THE
DOOR ALERT/POOL ALARM**

Models 289-1, 289-2, 289-3 and 289-4

Type SM Signaling Device

ETL Tested To Be In Compliance With Standard For Safety,
UL 2017, and Florida Building Commission Code Requirements,
Per ETL Listing Number 3035022

APPLICATION:

The GRI DOOR ALERT/POOL ALARM is designed as an aid to detect unsupervised access to a pool/spa area by a small child. Monitoring all doors and windows with magnetic reed switches the DOOR ALERT/POOL ALARM will sound an alarm should anyone too small to manage the adult pass through feature attempt access to the pool/spa area. For maximum protection all moveable openings should be protected in such a manner by the GRI DOOR ALERT/POOL ALARM.

DESCRIPTION:

The GRI DOOR ALERT/POOL ALARM uses a microprocessor to monitor the CLOSED LOOP magnetic reed switches, shunt/cancel button, battery and power supply voltages, and to provide the timing options. The recessed versions are designed to fit inside a single gang utility box, while the surface mount versions may easily be mounted to the wall of any structure.

The 289-1 and 289-2 versions offer a seven second delay in which an adult may open the protected door, shut it, and then press the shunt/cancel button without the alarm sounding.

The 289-3 and 289-4 versions alarm instantly if the protected door is open before the shunt/cancel button is pressed.

All versions must be operated with a 12 volt externally supplied DC power source. An onboard 9 volt battery can be used, in which case the battery will perform a backup function should the externally supplied source fail for any reason. The GRI DOOR ALERT/POOL ALARM is designed to maintain a minimum sound pressure level.

MODEL NUMBER AND VERSION

289-1	Recessed Door Alert/Pool Alarm 7 Second Delay
289-2	Surface Mount Door Alert/Pool Alarm 7 Second Delay
289-3	Recessed Door Alert/Pool Alarm Instant On
289-4	Surface Mount Door Alert/Pool Alarm Instant On

INSTALLATION WIRING DIAGRAM

Single Door with
Screen

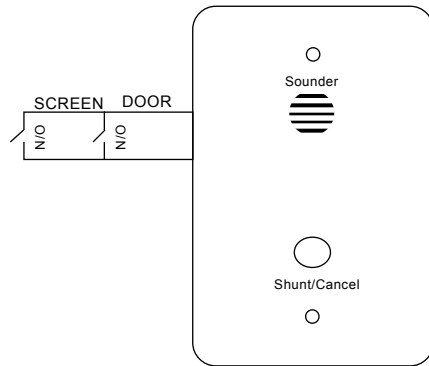


Figure 1. Wiring Diagram

INSTALLATION INSTRUCTIONS

A) Installing the Door Sensor

NOTE: Closed Loop Switch Required.

The GRI DOORALERT/POOL ALARM uses CLOSED LOOP (normally open) magnetic reed switches. Install the magnetic reed switch on the door according to the manufacturer's installation instructions. If there is a screen door, a switch should be installed on it as well. The switches should be connected in parallel as in Figure 1. In this configuration the DOOR ALERT/POOL ALARM will only activate if both doors are open. Next run the wires from the switch(es) to where the DOOR ALERT/POOL ALARM will be located on the wall.

B) Installing the DOOR ALERT/POOL ALARM

NOTE: The DOOR ALERT/POOL ALARM must be mounted as per local code or regulations.

SURFACE MOUNT VERSION:

Remove the DOOR ALERT/POOL ALARM from the surface mount case. Knockouts are provided on this case for wire access. Attach the surface mount case directly to the wall or existing fixture, or it may be mounted to cover a single gang electrical box. Attach the wires from door switch to terminal TM1 pins 2 and 5. It does not matter which wire goes in which location. Using an external 12 volt DC supply, run the wires from the power source to the alarm unit and attach the positive voltage to pin 1 and ground to pin 2 of terminal TM1.

If battery backup is desired, connect a standard 9 volt battery. The alarm will beep twice during power up indicating a successful diagnostics test. Lay the battery in the bottom of the case and reassemble the DOOR

ALERT/POOL ALARM with the button on the bottom and the sounder on top. Secure with the two screws provided.

RECESSED VERSION:

The recessed version of the DOOR ALERT/POOL ALARM is designed to fit in a single gang utility box. Run the wires from the door sensor switch(es) into the utility box. Attach the wires to terminal TM1 pins 2 and 5. It does not matter which wire goes in which location. Using an external 12 volt DC supply, run the wires from the power source to the alarm unit and attach the positive voltage to pin 1 and ground to pin 2 of terminal TM1. If battery back up is desired, install a standard 9 volt battery on the back of the DOORALERT/POOL ALARM. The alarm will beep twice during power up indicating a successful diagnostics test. Finally, insert the DOOR ALERT/POOL ALARM into the utility box with the button on the bottom and the sounder on top. Secure with the two screws provided.

PERTAINS TO SURFACE MOUNT AND RECESSED:

To maintain maximum sounder volume, a low battery mode will be initiated. Should the voltage drop below 7 volts the low battery mode will be triggered and the unit will sound 2 beeps approximately every 3 seconds for one to two weeks prior to total battery failure. The battery must be replaced at this time and the cause of power failure determined and restored.

When the alarm is sounding, it can only be turned off by pressing the shunt/cancel button. If the door is still open 15 seconds after the button is pressed, the alarm will sound again and continue until the door is closed and the button is pressed.

WIRING SPECIFICATION:

For connection of optional remote equipment and door contact switches a Belden CAT5 CL2 or equivalent cable is recommended. For the connection of the 12 volt power supply to the alarm unit a Belden 18-2 CL2-CMR 300v 60°C or equivalent wire is recommended. In all cases installer should reference current local N.E.C. code, and/or code requirements set forth by local housing authority or code enforcement jurisdiction.

RECOMMENDED SYSTEMS TESTING:

Periodic system testing shall be performed on a weekly basis, and should incorporate operation of each door and window covered by the system, to confirm an alarm sounding at each opening. Installation of on-board battery as redundant power source shall necessitate this testing is performed with primary power source disconnected. In all cases battery should be replaced on a regular basis of every 80 to 90 days.



**G.R.I. POOLALARM
SOFTWARE JUMPER OPTIONS
(All G.R.I. 289 Series PoolAlarms)**



JP1 Jumper Positions

Position 1 No Jumper, Instant On. With Jumper, 7 Second Delay.

Position 2 No Jumper, 15 Second Shunt. With Jumper, 7 Second Shunt.

Position 3 No Jumper, Aux Follows Alarm. With Jumper, Aux Follows Door.

Aux Output TM1-7 Is Grounded When On. 400 mA Maximum Current.

Select Desired Setting And Restore Power To Save

PLEASE NOTE: Always reference local codes and / or regulations concerning installation of the G.R.I. Pool Alarms. Some state and area building codes do not accept seven second delay units.



POOL ALARM REMOTES



Surface Mount Button and Sounder



Recessed Sounder Only

Remote Sounder:

A remote sounder, Model No. 184-2 or 184-7 can be added to all G.R.I. 189 and 289 Series Pool Alarms to increase the area that the alarm can be heard. Tested to 2017 Audibility Standards as per ITS, Report #J20041913-001.

Remote Shunt Button:

If two doors are to be monitored by a G.R.I. 189 or 289 Series Pool Alarm/Door Alert, a remote shunt button, Model No. 184-3 or 184-6 can be added. The Pool Alarm is mounted next to one door and the remote button by the other. Either button will cause the Door Alert to go into its shunt mode.

Remote Sounder and Shunt Button:

A Remote Sounder and Shunt Button combination unit, Model 184-4 or 184-8 can be added to additional exits. This will not only extend sounder coverage, but also provide the adult pass thru feature and alarm shunt control functions to each remote location chosen.

PART NUMBERS:

084-1	Recessed Remote Button - All Weather Stainless Steel
084-2	Steel Surface Mount - All Weather Remote Button, Stainless Steel Screws
084-3	Plastic Surface Mount - All Weather Remote Button, Stainless Steel Screws
184-2	Recessed Sounder Only
184-7	Surface Mount Sounder Only
184-3	Recessed Button Only
184-6	Surface Mount Button Only
184-4	Recessed Sounder and Button
184-8	Surface Mount Sounder and Button

WARRANTY:

One year warranty against workmanship, material and factory defects.

GEORGE RISK INDUSTRIES, INC.
G.R.I. PLAZA
KIMBALL, NE 69145



MADE IN U.S.A.

TOLL-FREE 1-800-445-5218
TOLL-FREE 1-800-523-1227
(308) 235-4645
FAX (308) 235-3561
E-MAIL: sales@grisk.com
WEB SITE: www.grisk.com

PLUG-IN POWER SUPPLIES



#6973

- ◆ Non-regulated Power Supply
- ◆ 9 VDC 50mA Output
- ◆ Input 120VAC±10%, 60 Hz
- ◆ EMI: Meets FCC Part 15 Class B
- ◆ Short Circuit Protection
- ◆ Thermal Protection Built-in
- ◆ 100% Testing
- ◆ Material: ABS Resin/UL 94-V0
- ◆ Color: Black
- ◆ No Audible Noise
- ◆ For Use With PRM-1 Programmable Relay Module



6973
UL Listed
E152985(S)

AC/DC Adaptor #8065R

- ◆ Screw Terminal Connections
- ◆ 12V DC Fully Regulated
- ◆ 500 mA Power Supply
- ◆ Red LED Indicator
- ◆ 100 - 240 Input
- ◆ Mounting Tab
- ◆ UL Listed
- ◆ RoHS Compliant
- ◆ Ultra Lightweight
- ◆ Recommended For Use With 189/289 Series Pool Alarms

8065R
U.L. Listed



GEORGE RISK INDUSTRIES, INC.
G.R.I. PLAZA
KIMBALL, NE 69145



MADE IN U.S.A.

BA-166 Rev I 8/27/2014

TOLL-FREE 1-800-445-5218
TOLL-FREE 1-800-523-1227
(308) 235-4645 • FAX (308) 235-3561
E-MAIL: sales@grisk.com
WEB SITE: www.grisk.com



**G.R.I. POOLALARM
SOFTWARE JUMPER OPTIONS
(New 2008 Jumper Settings with Green Terminal
G.R.I. 289 Series PoolAlarms)**



JP1 Jumper Positions

Note that position 1 is closest to Sounder.

Position 1 No Jumper, Instant On. With Jumper, 7 Second Delay.

Position 2 No Jumper, 15 Second Shunt. With Jumper, 7 Second Shunt.

Position 3 No Jumper, Aux/Relay Follows Alarm. With Jumper, Aux/Relay Follows Door.

Aux Output TM1-7 Is Grounded When On. 400 mA Maximum Current.

Select Desired Setting And Restore Power To Save

PLEASE NOTE: Always reference local codes and / or regulations concerning installation of the G.R.I. Pool Alarms. Some state and area building codes do not accept seven second delay units.