

EL200 Series

10/100BASE-TX to 100BASE-BX WDM Media Converter



Product Highlights

WDM Media Converter

- Supports multi-mode and single mode fiber with WDM fiber port

DIP Switch Configurable

- Store-and-forward mode or converter mode selectable (default: store-and-forward mode)
- Link-fault-pass-through enable or disable
- Full-duplex or half-duplex of Ethernet port enable or disable
- Full-duplex or half-duplex of fiber port enable or disable

Link-Fault-Pass-Through (LFPT)

- LFPT function lets network operators be aware of network connection status
- If a link fails, the LFPT function will notify the connected device and disable the connection

Overview

The EL200 Series provide media conversion between 10/100BASE-T(X) and 100BASE-FX Fiber. Easy plug-and-play design facilitates network infrastructure construction. Through DIP switch selection, Link-Fault-Pass-Through (LFPT) function can be active or disabled. User can choose between store-and-forward mode and converter mode through DIP switch selection.

The EL200 series is designed for WDM fiber connection applications. This commercial grade media converter supports EtherWAN EMC1600 chassis system for easy group installation. The EL200 is the ideal media converter for enterprise environments.

Ordering Information

Model

EL200CA-2	10/100BASE-TX to 100BASE-BX Multi Mode (SC) WDM-TX: 1310nm/RX: 1550nm-2Km Media Converter
EL200CB-2	10/100BASE-TX to 100BASE-BX Multi Mode (SC) WDM-TX: 1550nm/RX: 1310nm-2Km Media Converter
EL200CA-5	10/100BASE-TX to 100BASE-BX Multi Mode (SC) WDM-TX: 1310nm/RX: 1550nm-5Km Media Converter
EL200CB-5	10/100BASE-TX to 100BASE-BX Multi Mode (SC) WDM-TX: 1550nm/RX: 1310nm-5Km Media Converter
EL200CA-20	10/100BASE-TX to 100BASE-BX Single Mode (SC) WDM-TX: 1310nm/RX: 1550nm-20Km Media Converter
EL200CB-20	10/100BASE-TX to 100BASE-BX Single Mode (SC) WDM-TX: 1550nm/RX: 1310nm-20Km Media Converter
EL200CA-40	10/100BASE-TX to 100BASE-BX Single Mode (SC) WDM - TX: 1310nm/RX: 1550nm-40Km Media Converter
EL200CB-40	10/100BASE-TX to 100BASE-BX Single Mode (SC) WDM - TX: 1550nm/RX: 1310nm-40Km Media Converter

* EMC1600, proprietary 19" chassis system, can house up to 16 x EL200 Series Converters.

* EMC1600 Chassis System is available separately.

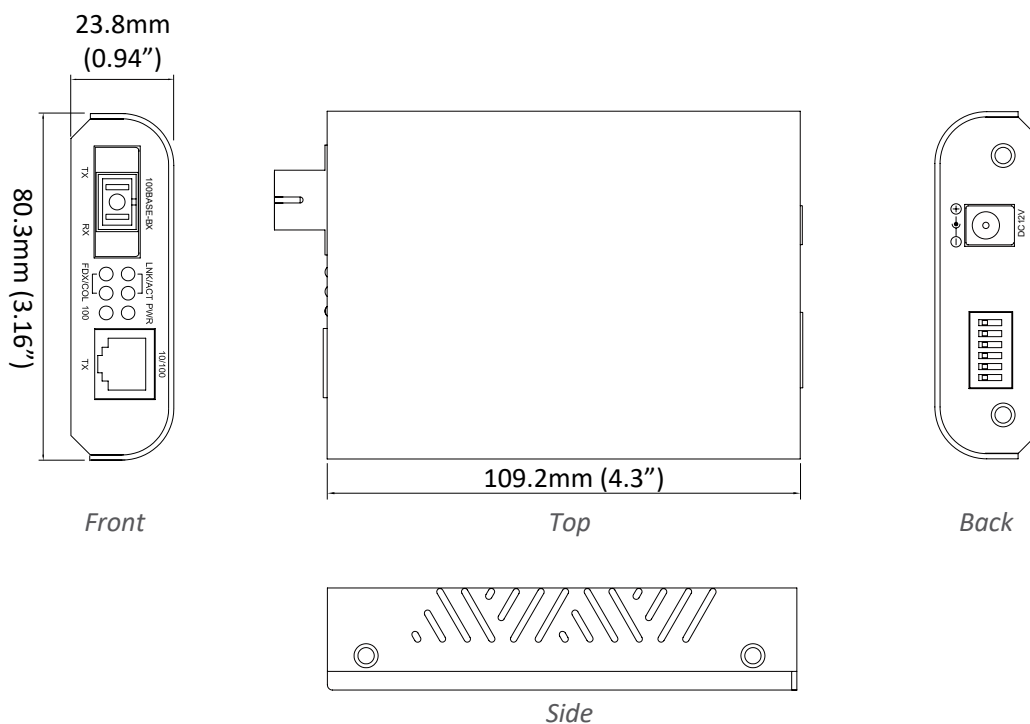
* More 100FX fiber options are also available upon request.

Hardware Specifications

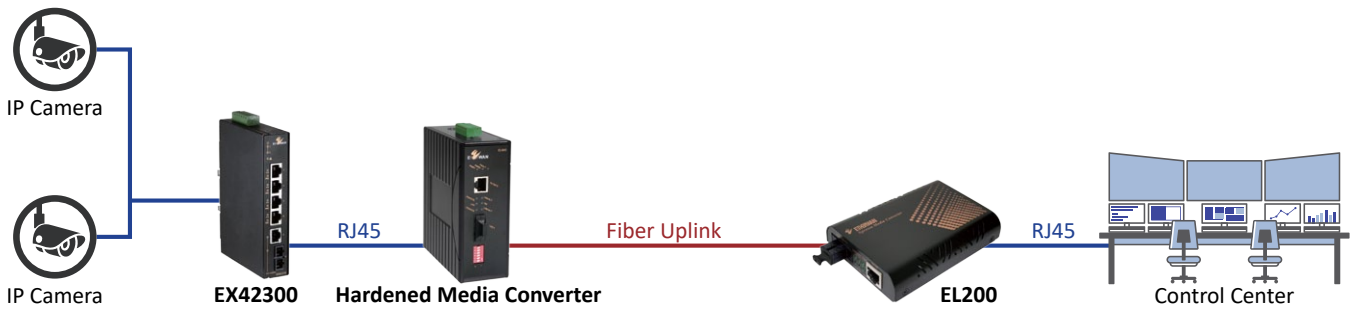
Interface +	
Ethernet Port	10/100BASE-TX: 1 port 100BASE-FX: 1 port
LED Indicators	Per Unit: Power Per Port: 10/100TX: Link/Activity, Full duplex/Collision, Speed Per Port 100FX: Link/Activity, Full duplex/Collision
Technology +	
Standards	IEEE 802.3 10BASE-T IEEE 802.3u 100BASE-TX/FX IEEE 802.3x Full duplex and flow control
Forward/Filtering Rate	14,880pps for 10Mbps 148,810pps for 100Mbps
Processing Type	Converter mode Store-and-Forward mode Half-duplex back-pressure and IEEE 802.3x full-duplex flow control Auto MDI/MDIX
Power +	
Input	12VDC
Power Consumption	1.92W max. 0.16A@12VDC
Physical +	
Casing Material	Aluminum
Dimensions	80.3 x 109.2 x 23.8mm (W x D x H) 3.16" x 4.30" x 0.94"
Weight	0.15kg (0.33lbs)
Installation Type	Wall mounting, or in EMC1600 Chassis System

Environmental +	
Operating Temp.	0 to 45°C (32 to 113°F)
Storage Temp.	-10 to 70°C (-14 to 158°F)
Relative Humidity	5% to 95% (non-condensing)
Regulatory +	
ISO	Manufactured in ISO-9001 facility
Safety	UL 62368-1
Emission Compliance	CE Mark Class A FCC Part 15B Class A VCCI Class A
Warranty +	
Length	Limited Lifetime
Details	www.etherwan.com/support/warranty-policy
What's Included +	
Device	Media Converter
Power	12VDC Power Adapter
Documentation	Quick Install Guide

Dimensions



Application



Accessories

Multiple Channel Chassis



www.etherwan.com/products/media-converters/multiple-channel-media-converters