

# Edco MGBW-LUG Ground Rail

Fits Standard 66M1-50 Punch Down Blocks  
Split Block Variations

Edco MGBW-LUG Ground Rail — Designed to fit standard 66M1-50 Punch Down Blocks. Allows Edco’s H-Series, COHP, PB Series, OPX and other similar Surge Suppressors to access ground when snapped onto the 66M1-50 Punch Down Block. The Standard 66M1-50 block is capable of accommodating up to 25 Edco surge suppressors.

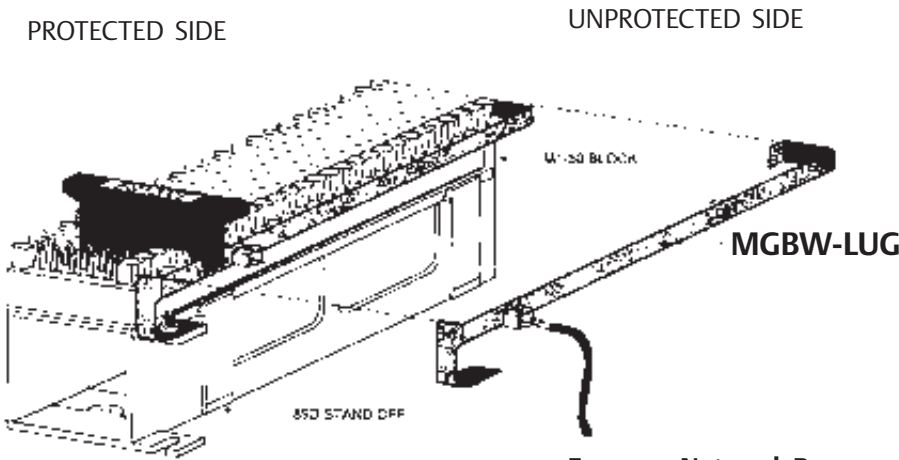
The Edco MINI MGB Ground Rail is designed to fit standard S89E Stand Off Bracket with S66M4-24 Punch Down Blocks.

It allows Edco’s H-Series, COHP, PB Series, OPX and other similar Surge Suppressors to access ground when snapped onto the S66M4-24 Punch Down Block and S89E Stand Off Bracket.

The Standard 66M4-24 Block can accommodate up to 12 Edco surge suppressors.



## Application Diagram



**Emerson Network Power recommends a 10AWG wire to building approved ground — keep short.**

When installing the Edco Grounding Rail with the Siemens 66M1-50CC (Traditional) Wiring Block, the base of the grounding rail should be installed on the top of the bracket and nylon washer.

**Nylon Washer**  
Metal washer and screw to be installed on bottom.  
**Metal Washer**

**Metal Washer**  
Metal washer and nut to be installed on top.

When installing the Edco Grounding Rail with the the Siemens 66-M1-50C (New Category 5) Wiring Block, the base of the grounding rail should be installed on the bottom of the bracket.

**MGBW-LUG always located on “Outside Plant” field side of punch block.**

**Emerson Network Power.**  
The global leader in enabling Business-Critical Continuity™.

- AC Power
- Embedded Computing
- Infrastructure Management & Monitoring
- Thermal Management
- Connectivity
- Embedded Power
- Outside Plant
- Racks and Integrated Cabinets
- DC Power
- Industrial Power
- Power Switching & Controls
- Services

**Emerson Network Power Contact information**

**Headquarters**  
Surge Protection  
100 Emerson Parkway  
Binghamton, NY 13905  
T: (607) 721-8840  
T: (800) 288-6169  
F: (607) 722-8713  
E: SurgeTech@Emerson.com

[www.EmersonNetworkPower.com/Surge](http://www.EmersonNetworkPower.com/Surge)

