

Technology that saves lives

Hazardous location fire alarm station

XAL53



Overview

The XAL53 is an extremely rugged double-action fire alarm station suitable for hazardous locations. The device is activated by lifting the front cover and pulling down the ring. This two-step process prevents unintentional operation.

The station is reset by depressing the exposed shaft and returning the cover plate to its original position.

Standard Features

- Copper-free aluminum alloy construction
- ¾" NPT feed-through conduit openings
- Red textured powder epoxy paint finish provides high visibility
- Normally open and normally closed contacts



Technology that saves lives

Contact us

Phone: 888.244.9979 (Option 4)
 Email: kidde.fire@carrier.com
 Website: kidde-esfire.com

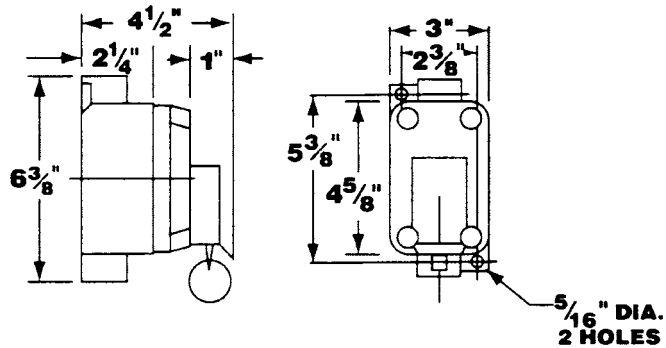
Kidde is a Carrier brand.
 8985 Town Center Pkwy,
 Bradenton, FL 34202

© 2020 Carrier
 All rights reserved.

Application

XAL53 fire alarm stations are suitable for areas that are hazardous due to the presence of flammable gases or vapors, combustible dusts, or easily-ignitable fibers or flyings. Install in petroleum refineries, chemical and petrochemical plants, storage areas, and other processing facilities where hazardous substances are handled or stored and in areas where emergency control of an alarm or signal circuit is required.

Dimensions



Hazardous classifications

- Class I, Div. 1 and 2, Groups C and D
- Class II, Div. 1 and 2, Groups E, F and G
- Class III
- NEMA Type 7, Groups C and D
- NEMA Type 9, Groups E, F and G

Ordering Information

Catalog Number	Description	Ship Wt., lb. (kg.)
XAL53	Hazardous Location Fire Alarm Station	10 (4.5)