

# Call for Assistance Kits

## CFA Series

The Edwards 6538-G5 24 volt Call For Assistance Kit is designed for areas where a call-for-help or an emergency switch is required. The kit consists of a 6536-G5 horn/strobe for audible and visual notification, a 6537 emergency pull cord station, and a 592 transformer. Each component may also be ordered individually.

### 6536-G5 Horn/Strobe

The 6536-G5 Horn/Strobe is designed for use in a single gang 2" (51mm) x 4" (102mm) box typically located over the door. Each unit contains an audible horn signal which generates an 82 dBA sound pressure level at 10 ft. and a 50 cd strobe. See page 6-12.

### 592 Transformer

The Edwards 592 transformer is used to power the horn/strobe. It is equipped with a grounding wire and is suitable for installation in both plastic and metal boxes. See section 7, page 7-25.

### 6537 Pull Cord Switch

The 6537 pull cord station provides emergency call activation and reset. It has a stainless steel face plate with a DPST switch. See page 6-14.

## Features and Specifications

- Kit includes 6536-G5 Horn/Strobe, 592 Transformer and 6537 Pull Cord Switch
- Double pole single throw switch
- Neutral white color
- Fits single gang box
- UL 1638 listed - Horn/Strobe



| Ordering Information    |                 | Transformer |           | Horn/Strobe Current                               | Lens Color | dBA at 1m/10ft. | Strobe Candela |
|-------------------------|-----------------|-------------|-----------|---|------------|-----------------|----------------|
| Description             | Cat. No.        | Primary     | Secondary |   |            |                 |                |
| Call for Assistance Kit | <b>6538-G5</b>  | 120V AC     | 24V AC    | 0.175 A @ 24V AC <sup>1</sup><br>0.125 A @ 24V DC | Clear      | 92/82           | 50             |
|                         | <b>6538A-G5</b> | 120V AC     | 24V AC    | 0.175 A @ 24V AC <sup>1</sup><br>0.125 A @ 24V DC | Amber      | 92/82           | 40             |
|                         | <b>6538B-G5</b> | 120V AC     | 24V AC    | 0.175 A @ 24V AC <sup>1</sup><br>0.125 A @ 24V DC | Blue       | 92/82           | 17             |
|                         | <b>6538G-G5</b> | 120V AC     | 24V AC    | 0.175 A @ 24V AC <sup>1</sup><br>0.125 A @ 24V DC | Green      | 92/82           | 29             |
|                         | <b>6538R-G5</b> | 120V AC     | 24V AC    | 0.175 A @ 24V AC <sup>1</sup><br>0.125 A @ 24V DC | Red        | 92/82           | 25             |

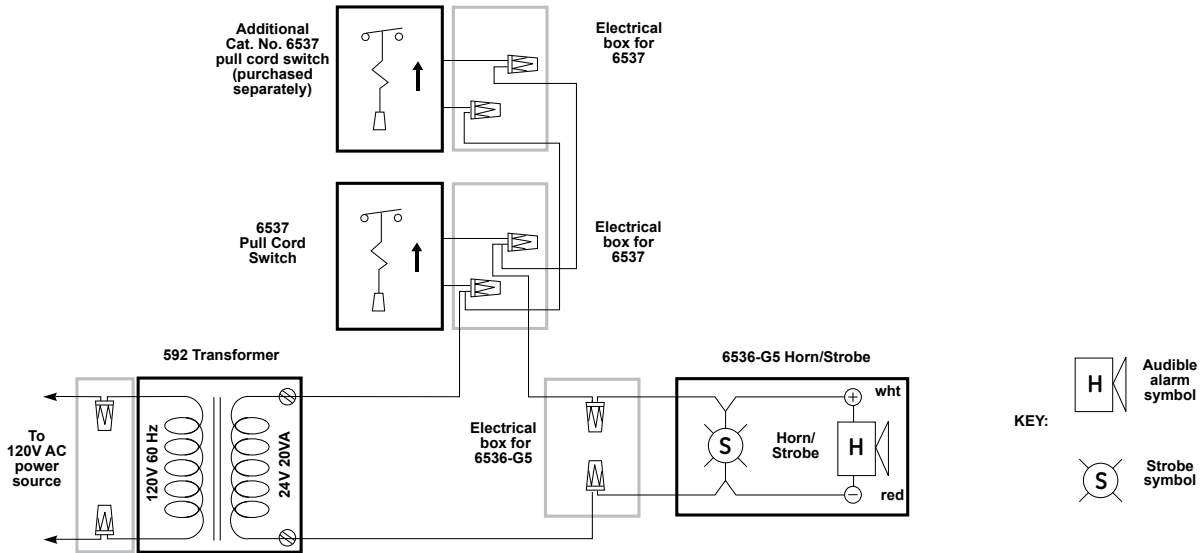
<sup>1</sup>AC voltage frequency is 50/60 Hz



# Call for Assistance Kits CFA Series

## Technical Information

Connecting 6538-G5 Call for Assistance Kit



## Weights and Dimensions

| Cat. No. | Approx. Net Weight (lb.) | Approx. Shipping Weight (lb.) |
|----------|--------------------------|-------------------------------|
| 6538-G5  | 1.53                     | 1.81                          |
| 6538A-G5 | 1.53                     | 1.81                          |
| 6538B-G5 | 1.53                     | 1.81                          |
| 6538G-G5 | 1.53                     | 1.81                          |
| 6538R-G5 | 1.53                     | 1.81                          |

