

# Beacons

## Flashing Xenon

### 105 Series

Edwards 105 Series Xenon strobe beacons are heavy-duty visual signals suitable for use in indoor and outdoor applications where a corrosion resistant NEMA Type 4X enclosure is required. Base material is gray, manufactured from glass-reinforced thermoplastic polyester resin and features brass hardware. The double fresnel lens is made of shatter-resistant polycarbonate.

The 105DHISTC-FJ high intensity strobe is designed for use in compatible fire alarm system and other applications requiring electrical supervision of signaling circuit field wiring.

### Features and Specifications

- Xenon strobe light source
- Flash rate 65 fpm
- Shatter-resistant double fresnel polycarbonate lens
- Gray Rynite® (PET) base with brass hardware
- Suitable for indoor, outdoor and marine applications
- For outdoor use, lens should face up
- Option for panel, conduit or wall mounting
- NEMA Type 4X enclosure
- Class I, Div 2, Groups A, B, C and D; Class II, Div 2, Groups F and G; Class III



4.5"



VISUAL SIGNALS

### Ordering Information

Description	Cat. No.	Operating Voltage	Current	Lens Colors	Peak Candela	Replacement	
						Lens	Strobe Tube
Xenon Strobe 3 Joule	105STA-N5	120V AC	0.1 A	Amber	300,000	105-LA	
	105STB-N5	120V AC	0.1 A	Blue	300,000	105-LB	
	105STC-N5	120V AC	0.1 A	Clear	300,000	105-LC	91B-ST
	105STG-N5	120V AC	0.1 A	Green	300,000	105-LG	3,000 hours <sup>1</sup>
	105STM-N5	120V AC	0.1 A	Magenta	300,000	105-LM	
	105STR-N5	120V AC	0.1 A	Red	300,000	105-LR	
	105STA-R5	240V AC	0.02 A	Amber	300,000	105-LA	
	105STB-R5	240V AC	0.02 A	Blue	300,000	105-LB	
	105STC-R5	240V AC	0.02 A	Clear	300,000	105-LC	91B-ST
	105STG-R5	240V AC	0.02 A	Green	300,000	105-LG	3,000 hours <sup>1</sup>
	105STM-R5	240V AC	0.02 A	Magenta	300,000	105-LM	
	105STR-R5	240V AC	0.02 A	Red	300,000	105-LR	
	105STA-G1	24V DC	0.3 A	Amber	300,000	105-LA	
	105STB-G1	24V DC	0.3 A	Blue	300,000	105-LB	
	105STC-G1	24V DC	0.3 A	Clear	300,000	105-LC	91B-ST
	105STG-G1	24V DC	0.3 A	Green	300,000	105-LG	3,000 hours <sup>1</sup>
	105STM-G1	24V DC	0.3 A	Magenta	300,000	105-LM	
	105STR-G1	24V DC	0.3 A	Red	300,000	105-LR	
High Intensity 8 Joule Strobe	105HISTA-EK	12-48V DC	0.8 A @ 24V	Amber	800,000	105H-LA	
	105HISTB-EK	12-48V DC	0.8 A @ 24V	Blue	800,000	105H-LB	
	105HISTC-EK	12-48V DC	0.8 A @ 24V	Clear	800,000	105H-LC	92-ST
	105HISTG-EK	12-48V DC	0.8 A @ 24V	Green	800,000	105H-LG	3,000 hours <sup>1</sup>
	105HISTM-EK	12-48V DC	0.8 A @ 24V	Magenta	800,000	105H-LM	
	105HISTR-EK	12-48V DC	0.8 A @ 24V	Red	800,000	105H-LR	
	105HISTA-N5	120V AC	0.1 A	Amber	800,000	105H-LA	
	105HISTB-N5	120V AC	0.1 A	Blue	800,000	105H-LB	
	105HISTC-N5	120V AC	0.1 A	Clear	800,000	105H-LC	92-ST
	105HISTG-N5	120V AC	0.1 A	Green	800,000	105H-LG	3,000 hours <sup>1</sup>
	105HISTM-N5	120V AC	0.1 A	Magenta	800,000	105H-LM	
	105HISTR-N5	120V AC	0.1 A	Red	800,000	105H-LR	

<sup>1</sup>Strobe tube life at operating power to 75% efficiency.



# Beacons

## Flashing Xenon

### 105 Series

Ordering Information		Continued						
Description	Cat. No.	Operating Voltage	Current	Lens Colors	Peak Candela	Replacement		
						Lens	Strobe Tube	
High Intensity 8 Joule Strobe (continued)	105HISTA-R5	240V AC	0.05 A	Amber	800,000	105H-LA		
	105HISTB-R5	240V AC	0.05 A	Blue	300,000	105H-LB		
	105HISTC-R5	240V AC	0.05 A	Clear	300,000	105H-LC	92-ST	
	105HISTG-R5	240V AC	0.05 A	Green	300,000	105H-LG	3,000 hours <sup>1</sup>	
	105HISTM-R5	240V AC	0.05 A	Magenta	300,000	105H-LM		
	105HISTR-R5	240V AC	0.05 A	Red	300,000	105H-LR		
	105DHISTA-FJ	20-30V DC	1.08 - 0.83 A	Amber	800,000	105H-LA		
	105DHISTB-FJ	20-30V DC	1.08 - 0.83 A	Blue	300,000	105H-LB		
	105DHISTG-FJ	20-30V DC	1.08 - 0.83 A	Green	300,000	105H-LG	92-ST	
	105DHISTM-FJ	20-30V DC	1.08 - 0.83 A	Magenta	300,000	105H-LM	3,000 hours <sup>1</sup>	
105DHISTR-FJ	20-30V DC	1.08 - 0.83 A	Red	300,000	105H-LR			
Fire Alarm (UL 1971) 8 Joule Strobe	105DHISTC-FJ	20-30V DC	1.08 - 0.83 A	Clear	26 cd wall (dome out) 24 cd wall (dome down) 26 cd ceiling	105H-LC	92-ST	

<sup>1</sup>Strobe tube life at operating power to 75% efficiency.

Accessories	
Description	Cat. No.
Wall Mount Bracket	105BM <sup>2</sup>
Outlet Box Attachment	105BX
Pipe Mount Attachment	105PM



Wall Mount Bracket



Outlet Box Attachment



Pipe Mount Attachment

<sup>2</sup>Must be used with the 105BX

Hazardous Location Listings				
Cat. No.	Class	Division	Group	Operating Temperature
105HIST*-N5	I	2	A, B, C, D	T2 (300°C, 572°F)
105HIST*-R5	II	2	F, G	T3B (165°C, 329°F)
	III			T3B (165°C, 329°F)
105HIST*-EK	I	2	A, B, C, D	T2A (280°C, 536°F)
105DHISTC-FJ	II	2	F, G	T3B (165°C, 329°F)
105DHIST*-FJ	III			T3B (165°C, 329°F)
105ST*-G1	I	2	A, B, C, D	T3 (200°C, 392°F)
105ST*-N5	II	2	F, G	T4A (120°C, 248°F)
105ST*-R5	III			T4A (120°C, 248°F)

\*Letter in this position designates lens color: A - amber, B - blue, C - clear, G - green, M - magenta or R - red

# Beacons

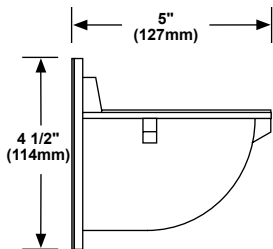
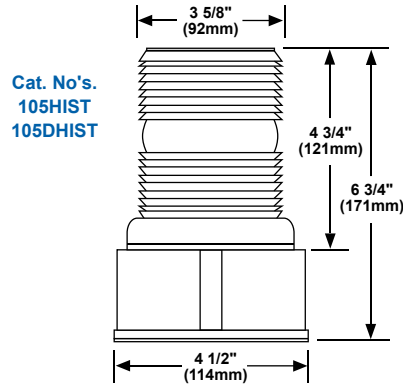
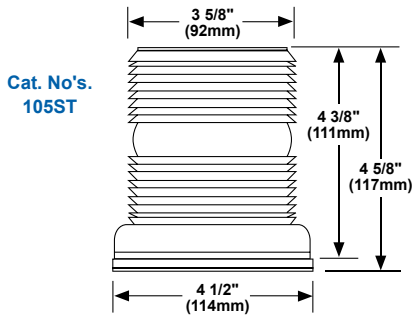
## Flashing Xenon

### 105 Series

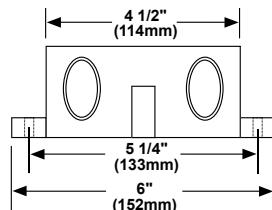
#### Weights and Dimensions

Cat. No.	Approx. Net Weight (lb.)	Approx. Shipping Weight (lb.)
105ST*-G1	1.06	1.22
105ST*-N5	1.01	1.17
105ST*-R5	1.01	1.17
105DHIST*-FJ	1.30	1.63
105HIST*-N5	1.30	1.63
105HIST*-R5	1.30	1.63
105HIST*-EK	1.30	1.63
105PM	0.80	1.00
105BM	1.00	1.20
105BX	0.80	1.00

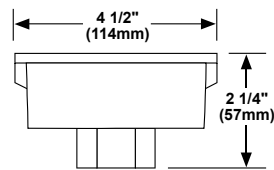
\*Letter in this position designates lens color: A - amber, B - blue, C - clear, G - green, M - magenta or R - red



Cat. No. 105BM Mounting Bracket  
(use with 105BX)



Cat. No. 105BX  
Outlet Box Attachment  
(Four 3/4" Threaded Hubs)



Cat. No. 105PM  
Pipe Mount Attachment  
(3/4" NPT Conduit Size)