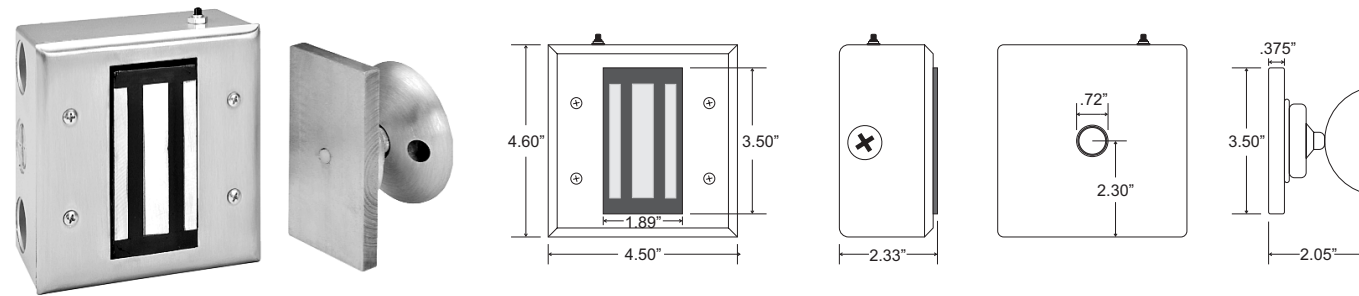


2800 Series Door Holders

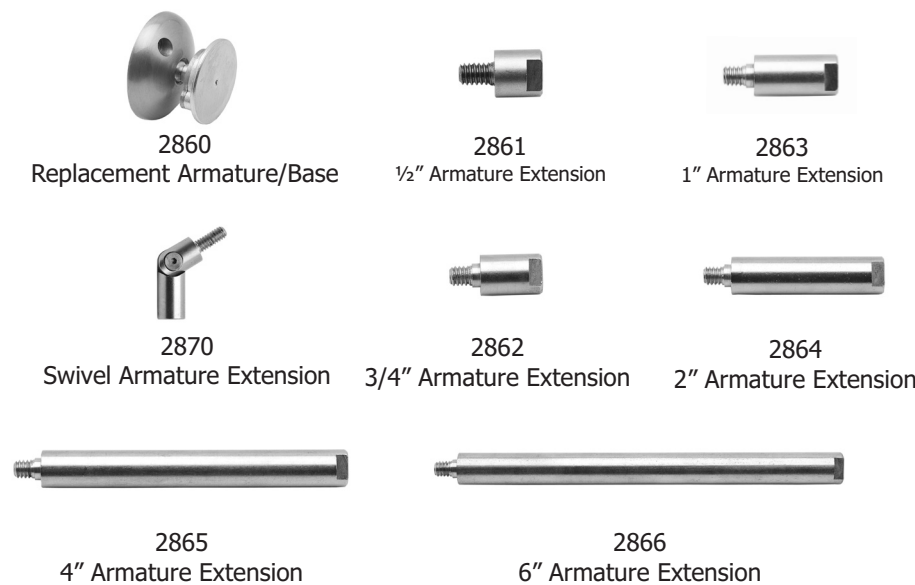
2810 Surface Wall Mount, 400 lbs. Holding Force



2800 Series Electromagnetic Door Holders



2800 Series Accessories & Electrical Specifications



ELECTRICAL SPECIFICATIONS	
CURRENT DRAW	VOLTAGE INPUT
0.060 AMPS	12VDC
0.030 AMPS	24VDC / VAC
0.105 AMPS	24VDC / VAC (2810)
0.030 AMPS	120VAC

Description

DynaLock 2800 Series Electromagnetic Door Holders are designed to hold self-closing fire or smoke barrier doors open until automatically released by fire alarm, smoke detection, or sprinkler systems. They can also be manually controlled wherever instant closing of doors is required for safety or convenience.

Each door holder assembly consists of a floor or wall mounted heavy-duty electromagnet, a self-adjusting and pivoting armature, and all necessary mounting hardware. All models are field selectable to operate on 12 VDC, 24 VAC/VDC, or 120 VAC input voltage. Convenient screw terminals are provided for field hook-up. All holder models are UL listed.

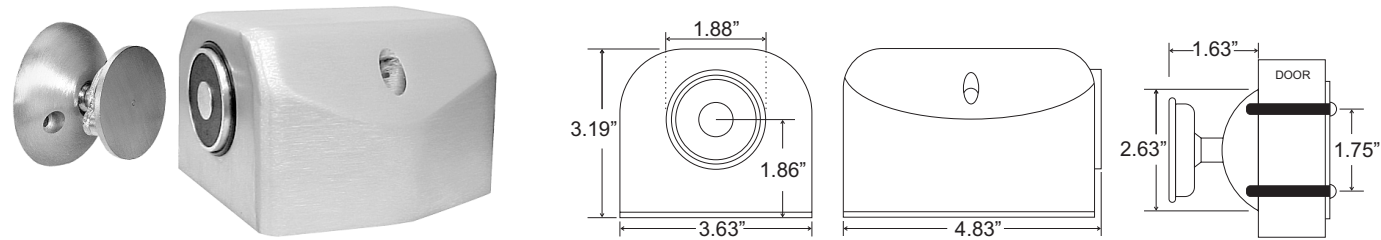
Optional Extension rods are available, to extend the armature projection, for installations where a wide standoff distance between the electromagnet and armature mounting locations exist.

DynaLock 2800 Door Holders each provide 30-45 lbs. of holding force, allowing manual door closure when electromagnets are energized.

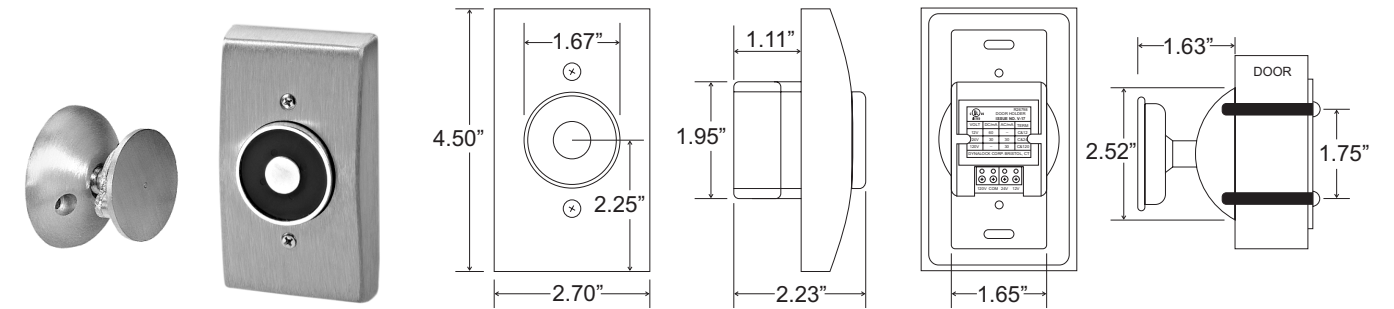
Standard Features

- **30-45 Lbs. holding force** per door.
- **Low power consumption** conserves energy, reduces operating costs and extends battery stand-by time.
- **Tri-Voltage:** 12 VDC, 24 VAC/VDC or 120 VAC/60Hz selectable operation.
- **Fail-Safe Operation:** Electromagnet releases instantly upon power loss.
- **Self-adjusting** and pivoting armature assembly.
- **Built-in spike suppression** protects other solid state components within the system from damage when the door holder is de-energized.
- **Heavy-duty die cast** metal housings & faceplates. (2806 & 2810 - Stainless steel faceplates)
- **Satin Aluminum US28** finish is standard. Optional sprayed finishes available. -Consult Factory- (2806 & 2810 - US32D)
- **Lifetime Warranty:** Made in the USA by DynaLock, with over 20 years experience in the manufacture of electronic security & access control products.

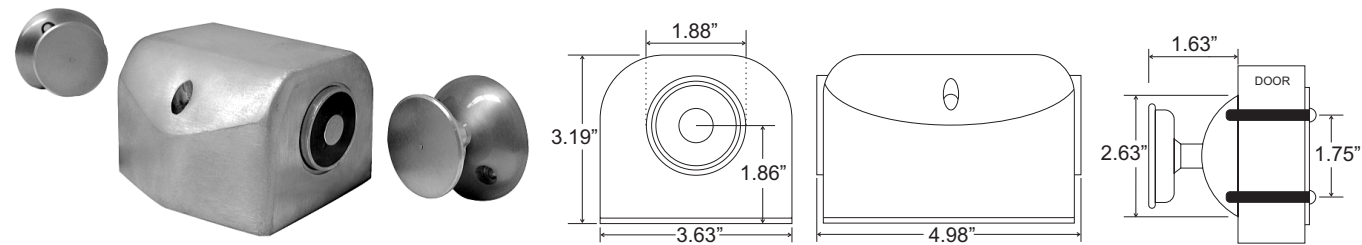
2801 Floor Mount / Single Door



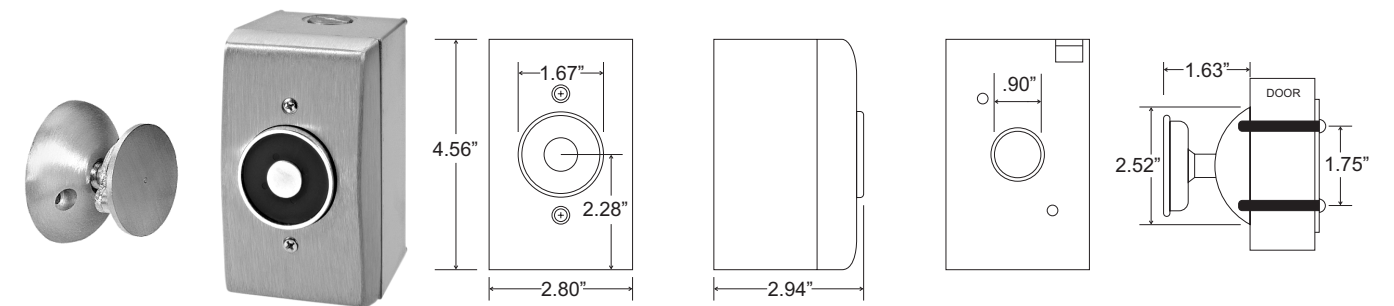
2804 Flush Wall Mount / Standard Armature



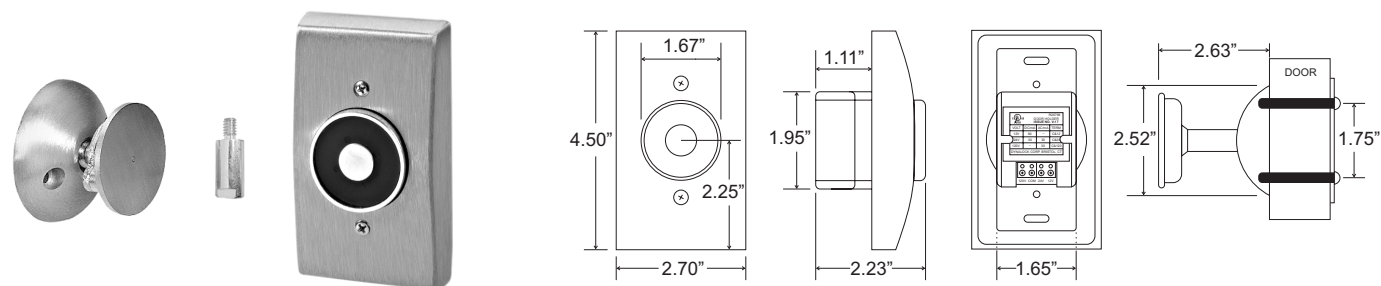
2802 Floor Mount / Double Door



2805 Surface Wall Mount



2803 Flush Wall Mount / Extended Armature



2806 Low Profile Wall Mount

