

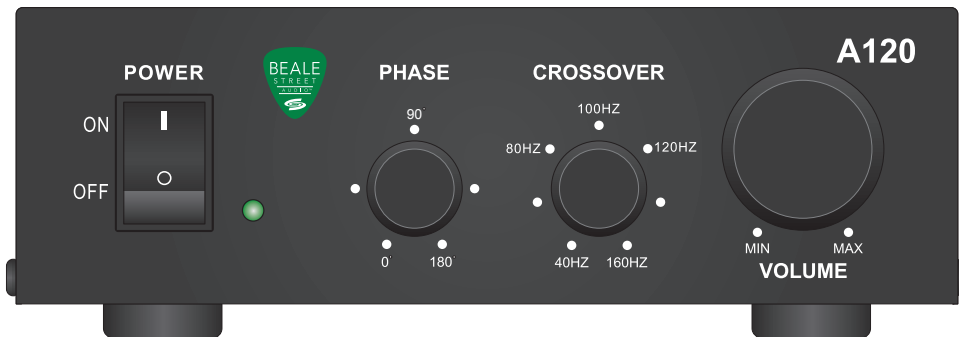
BEALE STREET AUDIO



Get Reale. Get Beale.™

A120

CLASS D 120 WATT SUBWOOFER AMPLIFIER



The A120 is a Class D 120 Watts amplifier that got all the muscle you need to drive even the most demanding subwoofers to house-thumping levels, and run cool under almost any load.

The A120 features a stereo/mono line level audio input that can receive full band line level audio from an audio amplifier, receiver, preamp or LFE output on just about any appropriately featured device.

The adjustable crossover allows fine-tuning the A120 low frequency input setting to properly complement any full-range speakers or room conditions.

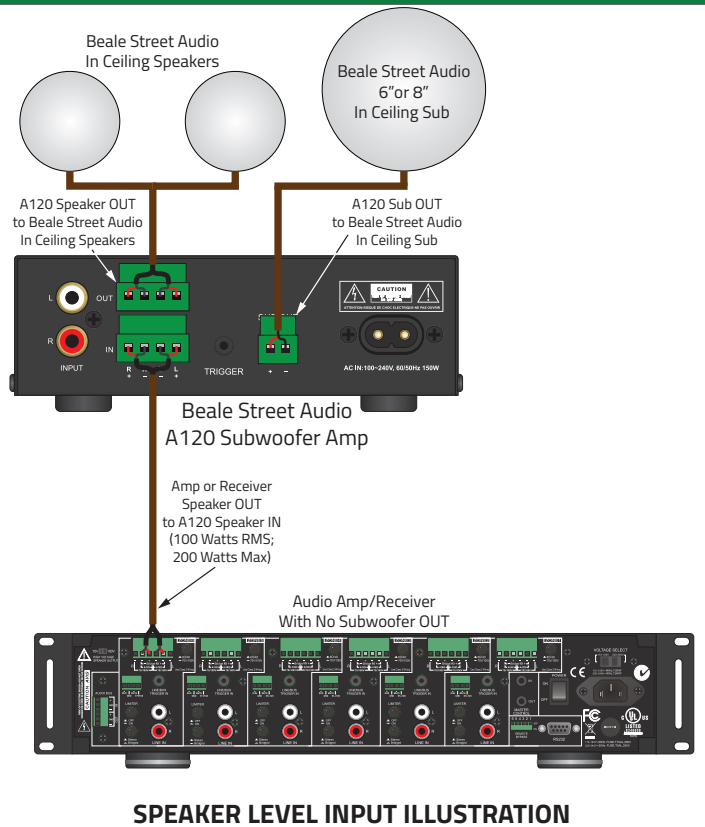
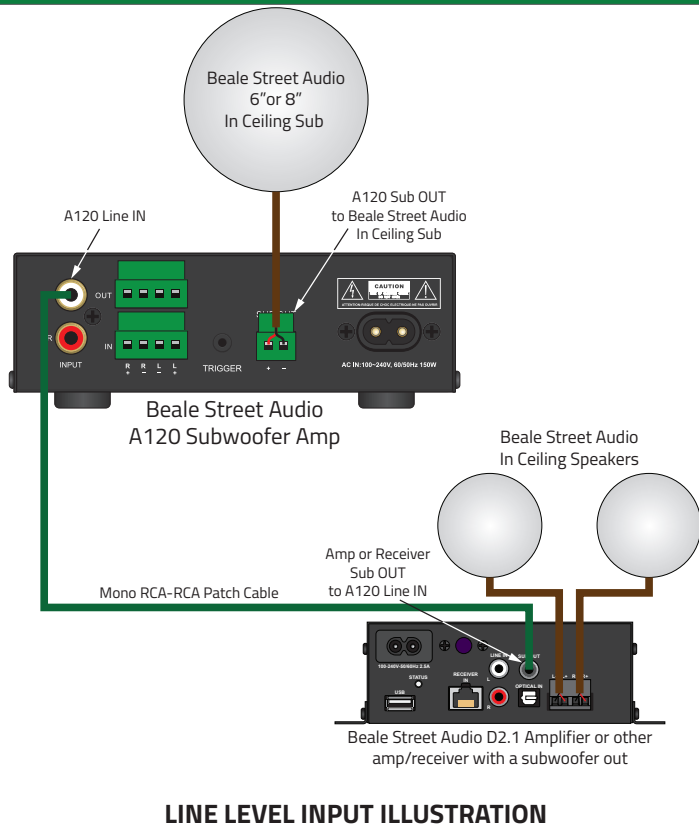
In addition, the A120 features a phase adjustment that provides sub performance optimization given the sub's placement relative to the main speakers.

The A120 also features a stereo speaker level input. Amplified stereo audio passes through the A120 full-band and unprocessed to a pair of connected stereo speakers. The speaker level input is also processed by the A120 crossover, phase and volume controls to enhance and optimize low frequency content. This feature is an easy way to add amplified in-wall or in-ceiling subwoofers to multi-room audio amplifiers that do not have zone-specific line level outputs. (See the Typical A120 Speaker Level Input Illustration.)

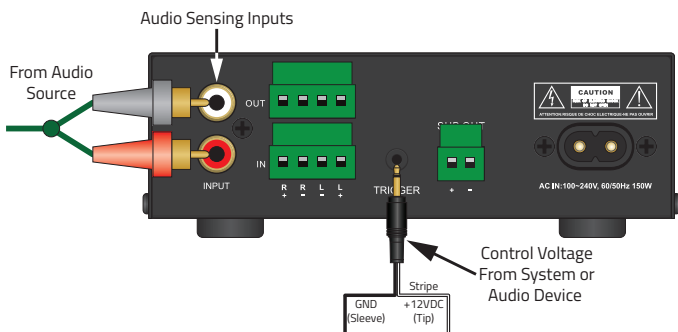
The A120 is audio-sensing so anytime an audio signal hits the A120 inputs, the amp will instantly turn ON. The amp will turn itself OFF after 15 minutes when no audio signal is present. There is also a 12VDC Trigger input that will turn the A120 ON when 12-24VDC is applied and turn the amp OFF when the voltage is removed.

The A120 is the perfect match for many applications but makes a particularly great running mate with the Beale Street Audio D2.1 Stereo amp with subwoofer out. (See the Typical A120 Line Level Input Illustration.)

A120 Subwoofer Amplifier Features & Specifications



AUTOMATIC POWER MANAGEMENT



The A120 is audio-sensing so anytime an audio signal hits the A120 inputs, the amp will instantly turn ON. The amp will turn itself OFF after 15 minutes when no audio signal is present. The 12VDC Trigger input will turn the A120 ON when 12-24VDC is applied and turn the amp OFF when the voltage is removed.

CROSSOVER & PHASE CONTROLS



The adjustable crossover allows fine-tuning the A120 low frequency output setting to properly complement any full-range speakers or room conditions. In addition the A120 features a phase adjustment that provides sub performance optimization given the sub's placement relative to the main speakers. Finally, the ever-clever logo serves as a constant reminder to how smart you were to choose the Beale Street Audio A120 Subwoofer Amp.

FEATURES

- Compact Size...Fits Almost Anywhere
- Cool, Efficient Digital Design
- Stereo Or Mono Audio Line Level Input (RCA)
- Stereo Speaker Level Pass-Through (2x Phoenix)
- Adjustable Subwoofer Crossover Frequency
- Adjustable Phase Setting
- Audio Sensing
- 12/24VDC On/Off Trigger Input (3.5mm Mini)
- 100/240V Compatible

SPECIFICATIONS

- Maximum Output Power per Channel.....80W@8Ω/120W@4Ω
- THD 1%
- Frequency Response 40Hz-160Hz +/- 1dB
- Signal to Noise.....95dB
- Input Sensitivity 200mV
- Crossover 40Hz-160Hz
- Phase..... 0-180°
- Line Voltage Range 100~240 VAC
- Standby Power 1.8W
- Dimensions..... 5.7"W x 1.8"H x 5" D (143 W x 45 H x 125 D mm)
- Weight..... 1.75lbs (0.79kg)