



DTK-4VP 4 Channel Analog Video Surge Protector

DITEK's DTK-4VP video protector is ideal for 4 camera analog CCTV installations. Each unit protects four BNC video channels with superior 2.8V clamping – the best surge protection in the industry! The DTK-4VP is a cost-effective surge solution for retail or residential CCTV applications



Product Features

- Unique design protects four CCTV video channels with one product
- SAD technology provides the best possible protection
- Reduces downtime and equipment failure due to transient voltage surges from nearby lightning, utility or internal events

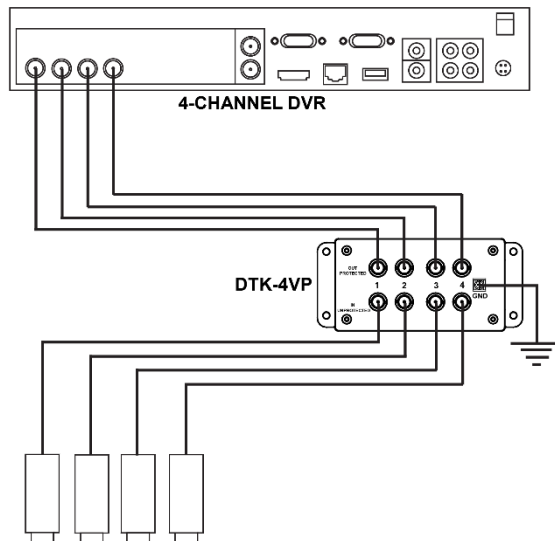
Applications

- 4-Channel Analog DVR Systems

Accessories

- Replacement Module, p/n DTK-4VPM

Wiring Diagram



Technical Specifications

Service Voltage:	1VPP
Protection Modes:	Center Pin-Shield, Shield-G, Center Pin-G
Clamping Voltage:	2.8VDC
Surge Current Rating:	291A / Channel (10/1000 μ s impulse)
Band Pass Range:	0Hz – 10MHz
Insertion Loss:	<0.3dB / Channel
Return Loss	24dB RL @ 10MHz
Impedance:	75 ohms

Mechanical Specifications

Connection Method:	BNC Female, 4 In / 4 Out
Housing:	ABS
Operating Temperature:	-40°F – 158°F (-40°C – 70°C)
Dimensions:	5.77" L x 2.61" W x 2.14" H (146.6 mm x 66.3 mm x 54.4 mm)
Weight:	0.55 lb (250 g)

Quality Standards & Approvals

Certifications:	UL497B
Warranty:	10 Year Limited Warranty

