

Overview- Corby Programmable Keypads can use up to 165 different user operating codes. These codes can be 3-6 digits in length, and must be entered in exact order. Codes and operating parameters are stored in non-volatile EEPROM memory.

Keypad Operation - After a valid code is entered, the microprocessor will operate specific outputs.

For Access Control applications, a Request-To-Exit button can be added and programmed to activate any output(s). Add a magnetic door switch and the Door Ajar and Time Cancel features become usable.

For alarm control applications, enter a valid user code to arm or disarm the security system, or use a different code to shunt or bypass an alarm zone. If enabled, you can press the # and * simultaneously to trigger a panic condition which can be programmed to any output(s).

A security lockout feature can be programmed to disable the keypad after three invalid code attempts.

Programmable Outputs - Any combination of the four outputs may be activated by a valid code or input condition. The two input conditions are Request-To-Exit and Door Ajar/Forced Entry. Select which output(s) to associate with every code or input condition. Different user codes and input conditions can have their own distinct output(s). Individual codes and inputs can be used to accomplish multiple tasks, and can function independently of each other.

The Main Relay, output #1, can control almost any kind of device including door locks, office machines, industrial equipment, or security systems.

Use the Auxiliary Relay, output #2, to trigger a dialer, buzzer, shunt an alarm zone, or illuminate an LED, depending on your application.

Use Voltage Outputs #3 and #4 to indicate Duress, Panic, Door Ajar, and Forced Entry.

Types of Codes - Operating Codes: Any one of 165 operating codes can be programmed to activate any or all of the four available outputs. **Duress:** Caused by entering a special code that opens the door or disarms an alarm, as well as activating additional silent alarm outputs. This code can activate any or all of the four available outputs. **Panic:** Triggered when the # and * are pressed simultaneously. This special code can be programmed to activate any or all of the four available outputs. **Programming Code:** This is a user-selectable six digit code. It must be entered before any programming may be accomplished. This prevents the tampering of codes by unauthorized personnel.

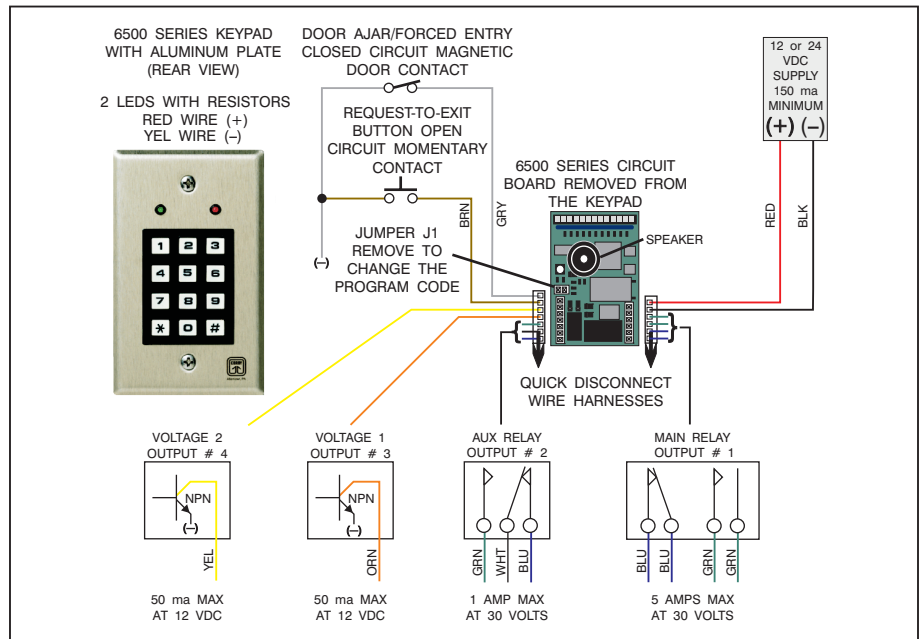
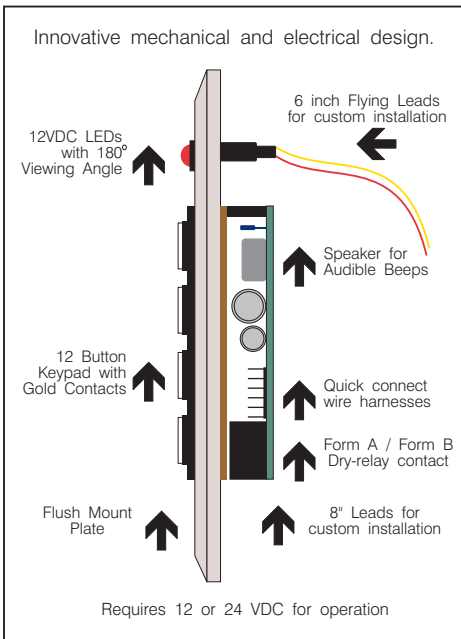
Auxiliary Inputs - Program the following inputs to activate any or all of the four outputs.

Door Ajar: If the door is open 30 seconds longer than the programmed time of relay #1, any or all of the other outputs can be programmed to activate. **Forced Entry:** If the door is opened and it is *not* preceded by a valid code or Request-To-Exit, any or all of the outputs can be programmed to activate. **Time Cancel:** When a door is opened and then closed, any remaining programmed door strike activation time will be canceled preventing unauthorized "follow throughs". **Request-To-Exit:** A simple "normally open" (N.O.) Request-To-Exit button can be used to allow a timed exit from a protected area.



Additional Benefits & Features

- Codes and operating parameters are stored in a non-volatile EEPROM.
- Program the outputs for either a momentary (1-99 seconds) or latching time.
- All programming is performed using the keypad.
- Quick-connect wire harnesses for easy installation.
- Program an audible "key beep" during code entry.
- Two programmable voltage outputs.
- LED's are installed for visual feedback.
- Automatic keypad timeout from program mode.
- 12 or 24VDC Operation.
- Duress and auxiliary codes.
- Invalid Code Attempt Lockout
- Silent panic code is active 24 hrs. a day.



Typical Applications

- ◆ Office Buildings
- ◆ Computer Rooms
- ◆ Business Offices
- ◆ Household Garage Doors
- ◆ Restaurant Liquor Storage Areas
- ◆ Laboratory & Pharmacy Facilities
- ◆ Apartment & Condominium Entrances
- ◆ Manufacturing Facilities
- ◆ Mini-Storage Facilities
- ◆ Police Evidence Rooms
- ◆ Employee Entrances
- ◆ Parking Gates

Programming Options

- ◆ Add/Delete Users
- ◆ Change Programming Code
- ◆ Assign Outputs to Door Ajar
- ◆ Assign Outputs to Forced Entry
- ◆ Assign Outputs to Panic
- ◆ Assign Outputs to Request-To-Exit
- ◆ Enable/Disable Key Beep
- ◆ Set Code Length
- ◆ Set Main Relay Time
- ◆ Set Auxiliary Relay Time
- ◆ Set Both Voltage Output Time
- ◆ Enable/Disable Keypad Lockout
- ◆ Erase Everything
- ◆ Erase Codes Only

Specifications:

Input Voltage: 12 or 24 Volts DC.

Power Consumption: 20ma @ idle 120ma maximum.

Outputs:

Main Relay: Form A and B, 5 Amp, 30 Volt.

Auxiliary Relay: Form C, 1 Amp, 30 Volt.

Voltage Outputs (2): Switches to (-) 50ma.

Operating Temperature: -18°C to 55°C (0°F to 131°F)

Dimensions:

Single Gang: 2.75" X 4.5" (53mm X 40mm)

Double Gang: 4.56" X 4.5" (115mm X 40mm)

Heavy Duty Plate: 3.23" X 5.0" (84mm X 127mm)

Lock Box: 4.75" X 5.3" (120mm X 133mm)

Ordering Information:

Programmable Keypads

Indoor

- 6520 Single-gang, flush mount with one green and red LED.
- 6521 Double-gang, flush mount with one green and red LED.
- 6524 Hidden view with tamper switch, one green and red LED.
- 6530 Single-gang, flush mount w/ one green, yellow and red LED.
- 6540 Single-gang, flush mount w/ one green, two yellow and one red LED.
- 6571 Double-gang, flush mount w/ one green, five yellow and one red LED.

Outdoor

- 6522 Aluminum cover, outdoor, surface mount w/ one green and red LED.
Also includes 12VDC night light.
- 6562 Cast metal, heavy-duty mounted in a lock box & on a pedestal.
- 6564 Cast metal, heavy-duty mounted in a lock box.
- 6566 Cast metal, heavy-duty, flush mount with one green and red LED.

Architectural Specifications:

The keypad will be a Corby 6500 Series or approved equal. Keypads will consist of a 12-button keypad and mounting plate. A removable and replaceable self-contained electronics module with a microprocessor will be attached to the rear of the keypad. Electronics module will contain four separate outputs which include a Form A/B main relay rated 5amp, Form C aux relay rated 1amp and two voltage switch outputs rated 50ma. Keypads will operate from 12 VDC or 24 VDC and consume 20ma. @ idle and 120ma. maximum. Connections will be made to wire "pigtailed" of two removable pin type connectors.

Keypads will be programmable through the same 12 button keypad used to activate outputs. Keypads will accept 165 unique codes for operation of any or all of the outputs. Code and all programmable settings will be stored in non-volatile EEPROM memory and will not be lost when power is removed. Operating code length will be selectable from three to six digits. Keypads will return "on-line," in 60 seconds, if no data is entered while in program mode. Keypads will "timeout" when a partial code is entered and not completed within ten seconds. Keypad will be disabled for a user selectable time upon three consecutive invalid code entries.

Keypads will be available in a weatherproof version, with spring loaded cover to conceal the keypad, and without a cover. Keypads will be flush or surface mountable to a single gang electrical type box. Keypads will be 2.75" wide X 4.5" high X 1" deep. Weatherproof keypads without cover will be 3.23" wide X 5.0" high X 1" deep.

Back Boxes

- 11 Tamper box, flush mount with SPDT tamper switch.
- 12 Tamper box, surface mount with front and rear CC tamper.
- 14 Surface mount. Use with 6566 keypads.

Electronic Relays - Timer Modules

- 78 Electronic relay module. SPDT momentary relay.
1 Amp, 28 VDC contacts, 6-14 VDC.
- 86 Digital timer-controller module. Panic, latching, timer and zone control. 5 Amp, 30 VDC contacts. 6-14 VDC.

Relays

- 22 Latching 12 VDC SPST with 6" wires.
- 25 Momentary 6-12 VDC SPST with 6" wires.

These specifications, product features and product information are subject to change without notice or obligation. Before purchasing or specifying this equipment, be sure to call Corby Customer Service to verify the current status of intended products, software, or firmware features to ensure the product(s) will meet or exceed your requirements. Corby Industries, Inc. is not responsible for typographical errors.



Proudly made in the U.S.A. by Corby