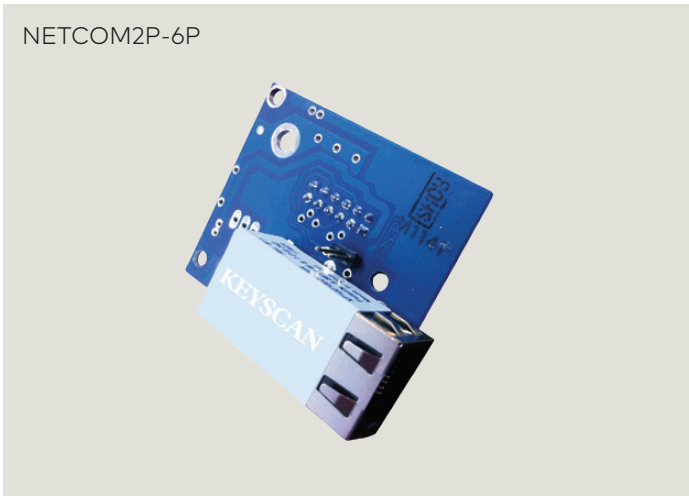
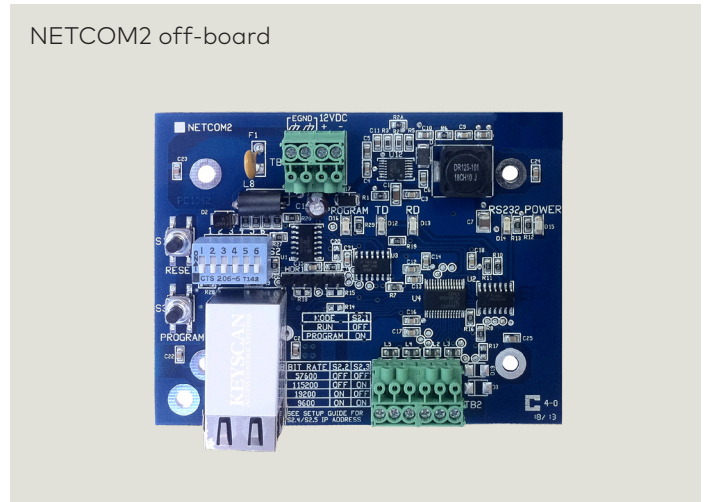


Keyscan NETCOM

NETCOM2P-6P



NETCOM2 off-board



Keyscan NETCOM series TCP/IP modules

Keyscan NETCOM TCP/IP communication modules are a fast and easy way to connect your Keyscan Access Control system to your LAN/WAN network.

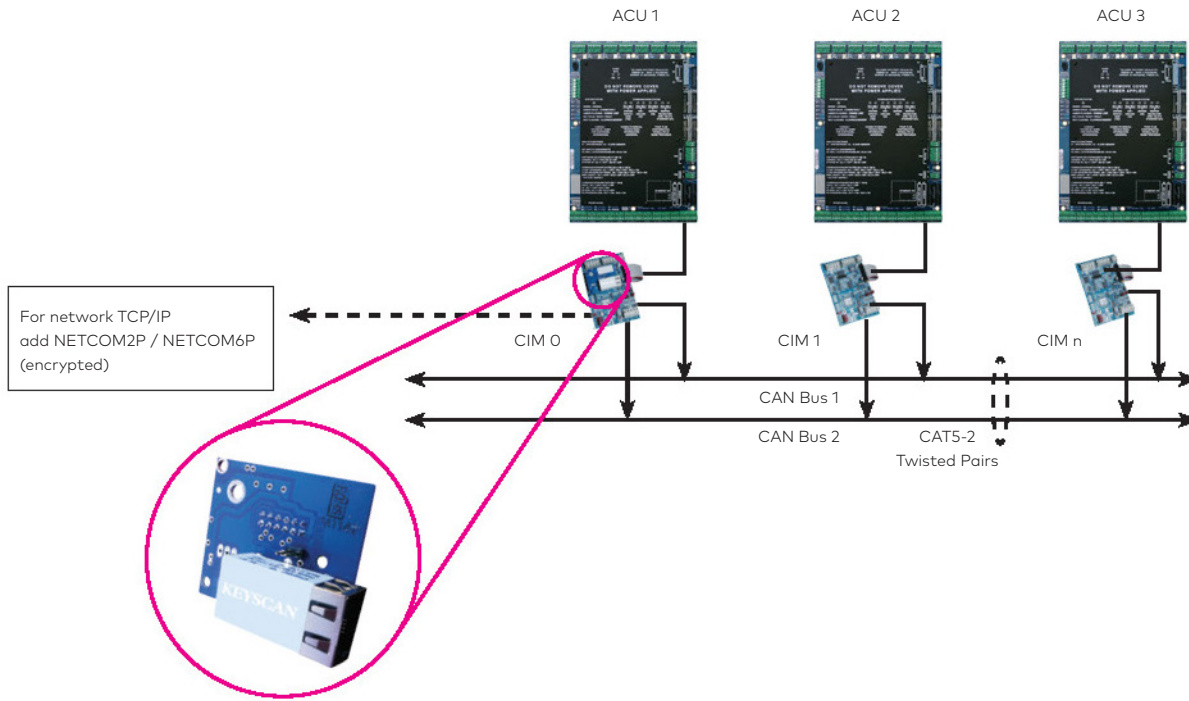
Keyscan NETCOM2P is a plug on TCP/IP module that connects directly to a Keyscan access control panel or an off-board communication module. It allows you to establish access control system communication along an existing LAN/WAN network.

NETCOM2P & CIM

Keyscan NETCOM2P works seamlessly with Keyscan CIM (Communication Interlink Module). The NETCOM2P plugs directly onto Keyscan's CIM communication module to establish network communication to the server among multiple ACUs along a CAN Bus network.

Where higher security is required for communication, the NETCOM6P employs an AES Rijndael (NIST approved) encryption algorithm. A user-defined encryption key, which can be 128 bits, 192 bits, or 256 bits, minimizes the possibility of an attacker breaching communication. Both NETCOM2P and NETCOM6P include a Keyscan NETCOM Program Tool utility for custom installation programming so either converter adapts to any TCP/IP network structure for access control system communication. Also available as an off-board module, NETCOM2 for legacy panels and select integrations

Typical NETCOM & CIM installation



Specifications

Input Power through ACU	140 mA, + ACU 130 mA = 270 mA
Input Power through CIM	140 mA + CIM 150 mA = 290 mA
Network Interface	RJ45 10/100 Ethernet
Dimensions	NETCOM2P/6P = 1.625" x 1.9375" (41mm x 49mm)
NETCOM6P	NETCOM2 = 3.031" x 3.896" (77mm x 99mm)
Agency Approvals Ethernet Socket	Complies with Class B limits of EN 55022 : 1998 Direct & Indirect ESD Complies with EN 55024 : 1998
Environmental Tolerances	Suitable for commercial and industrial applications
NET6P-KHS (Keyscan Hosted Services only)	DHCP IP set up; AES Rijndael encryption; Pre- configured to connect with Keyscan Servers
Operating Temperature	5° to 70°C (41° to 158°F)

© dormakaba Canada, (2018). Information on this sheet is intended for general use only. dormakaba Canada reserves the right to alter designs and specifications without notice or obligation. *Distances may vary depending on installation criteria and known wireless obstacles and interference. Printed in Canada.

dormakaba Canada Inc.
901 Burns St., E.,
Whitby, Ontario
Canada L1N 0E6

1 888 539 7226

www.dormakaba.us

KKT2002 2018-05