

Keyscan CA150

Single-door controller

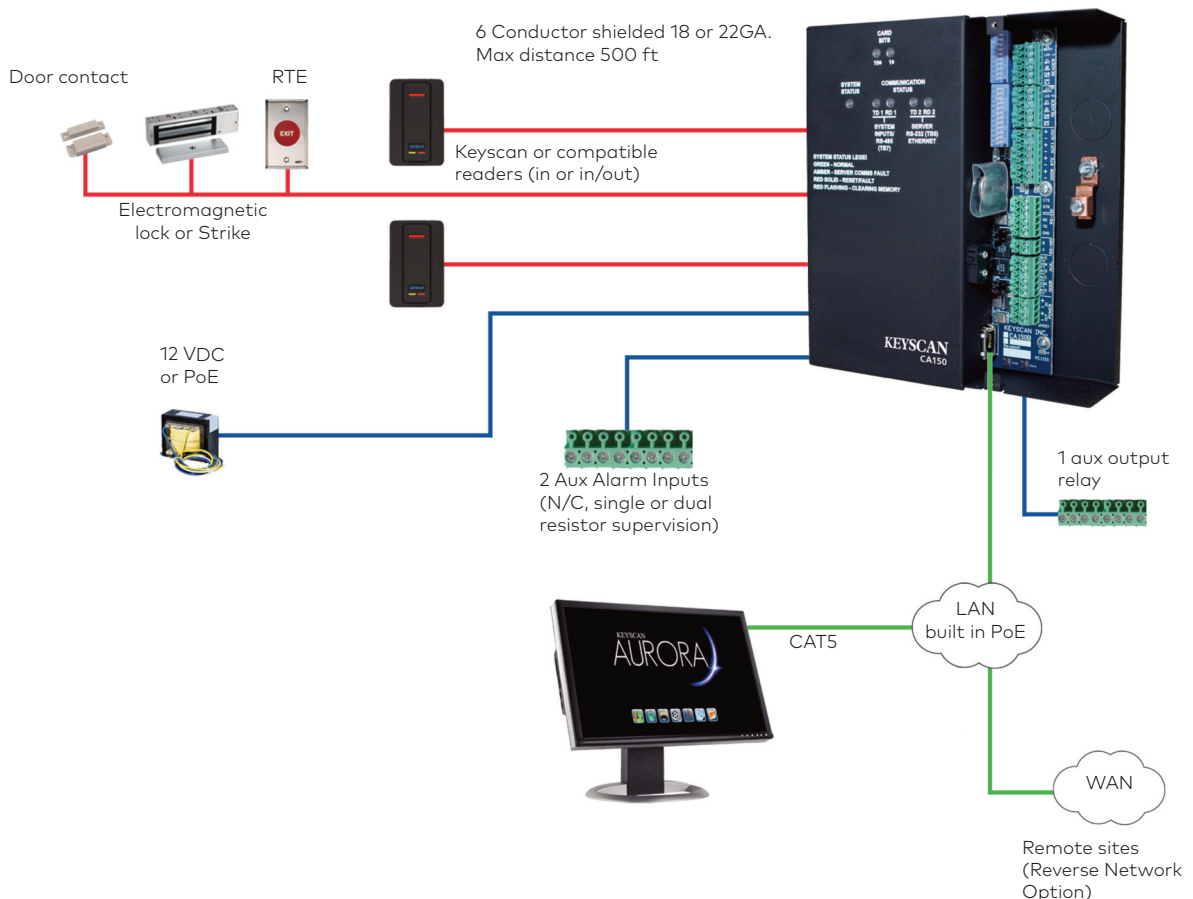
With an emphasis on innovation and sustainability, you can trust the Keyscan CA150 single door access control unit for smart access control technology and system design flexibility. Keyscan CA series door controllers are compatible and merge security with convenience. The CA150 can satisfy any new installation requirement or augment existing Keyscan systems with single door additions.

CA150 includes:

- CA150B ACU board
- black metal enclosure with tamper switch
- PoE ready TCP/IP module

Keyscan CA150 features:

- Network TCP/IP ready
- DHCP supported
- Dual processors
- Flash memory
- 4 supervised inputs
- PoE enabled Ethernet port (IEEE 802.3af).
- 2 heavy duty relays
- 2 reader ports (in and out reads)
- Powered by 12VDC or PoE



Specifications:

Access Control Unit	CA150	CA250	CA4500	CA8500	EC1500	EC2500
Doors/Elevator Floors Supported	1 door	2 doors	4 doors	8 doors	1 cab (up to 40 flrs)	2 cabs (up to 16 flrs)
Reader Ports	2 (in/out)	2	4	8	1	2
Multi ACU Compatibility	Yes (Ethernet)	Yes	Yes	Yes	Yes	Yes
System Status LEDs	Yes	Yes	Yes	Yes	Yes	Yes
Dual Processors	Yes	Yes	Yes	Yes	Yes	Yes
Flash Memory	Yes	Yes	Yes	Yes	Yes	Yes
Power Fail Output	NA	Yes	Yes	Yes	Yes	Yes
Floor Monitor Inputs (supervised)	NA	NA	NA	NA	Yes	Yes
Inputs						
Request to Exit Inputs (supervised)	1	2	4	8	NA	NA
Door Contact Inputs	1	2	4	8	NA	NA
Auxiliary Inputs (supervised)	2	8	16	16	NA	NA
I/O Input Expansion (with IOCB1616)	NA	NA	64	64	NA	NA
Outputs						
Auxiliary Output Relays	1	2	4	8	NA	NA
Expansion Auxiliary Output Relays	NA	NA	8	8	NA	NA
I/O Outputs (with IOCB1616)	NA	NA	64	64	NA	NA
Door Output Relays	1	2	4	8	NA	NA
Capacity						
No. of Credential-holders	45,000 (90,000*)	45,000 (90,000*)	45,000 (90,000*)	45,000 (90,000*)	45,000 (90,000*)	45,000 (90,000*)
Transaction Buffer	6000	6000	6000	6000	6000	6000
Schedules	512	512	512	512	512	512
Groups	511	511	511	511	511	511
Holiday Dates	64	64	64	64	64	64
Connectivity						
Ethernet Ready	Equipped	Optional	Optional	Optional	Optional	Optional
PoE - Power over Ethernet* (IEEE 802.3af)	Equipped	NA	NA	NA	NA	NA
Global Integration ((CIM Required)	Network/Server Dependent	Capable	Capable	Capable	Capable	Capable
CMAC Reverse IP	Equipped	Optional	Optional	Optional	Optional	Optional
Serial Communication	Yes	Yes	Yes	Yes	Yes	Yes

© dormakaba Canada, (2018). Information on this sheet is intended for general use only. *Special hardware order. *POE under license with Chrimar Systems Inc., US Patents 8,155,012 - 8,942,107 - 9,049,019. dormakaba Canada reserves the right to alter designs and specifications without notice or obligation. Printed in Canada.

dormakaba Canada Inc.
901 Burns St., E.
Whitby, Ontario
Canada L1N0E6
T: 888-539-7226

www.dormakaba.us

KKT2032 04-19