



CM-330 Battery Powered Touchless Switches



BATTERY
POWERED



LAZERPOINT RF™
WIRELESS

CM-330 APPLICATION

Battery Powered

Ideal for door activation where installing wiring is difficult or expensive, and for instant replacement of non-powered switches in retrofit applications.

These switches offer the longest alkaline battery life of any switch in the market, with the option for lithium batteries.

The SureWave™ family of touchless switches by Camden lead the industry in performance, quality and value - with a range of features unmatched by any other on the market.

CM-330 touchless switches offer the longest battery life, up to 100 activations per day for 2 years, with an option for even longer battery life using lithium batteries.

SureWave™ CM-330 wireless switches are compatible with Camden's Lazerpoint RF™ family of 915Mhz. spread spectrum wireless products.



SPECIFICATIONS

NO. OF IR SENSORS:	1
BATTERIES:	(2) 'AA' ALKALINE (SUPPLIED) (2) 'AA' LITHIUM BATTERIES (OPTIONAL)
ESTIMATED BATTERY LIFE:	2 YEARS (BASED ON 100 OPERATIONS/DAY)
LOW BATTERY ALARM:	YES
BATTERY TEST GAUGE:	YES
STANDARD OPERATING RANGE:	1" - 12" (25.4MM - 304MM)
OPERATING MODE:	MOMENTARY BUILT-IN 915MHZ. SPREAD SPECTRUM WIRELESS TRANSMITTER

MODELS

CM-330	Battery Operated Wireless Touchless Switch (receiver required)
---------------	--

OPTIONAL FACEPLATE MATERIAL (Supplied Black Polycarbonate Standard)

S	Stainless Steel Faceplate
----------	---------------------------

OPTIONAL BATTERIES (2) 'AA' ALKALINE SUPPLIED

-L1	Add suffix '-L1' for (2) 'AA' Lithium Batteries in place of (2) Alkaline
------------	--

CM-LP1	(2) AA Lithium Battery Pack
---------------	-----------------------------

OPTIONAL FACEPLATE SIZE (Supplied Single Gang Standard)



Single Gang
Compatible surface
mount box CM-34BL.



/N - Narrow
Compatible narrow
jamb surface mount
box CM-23D.

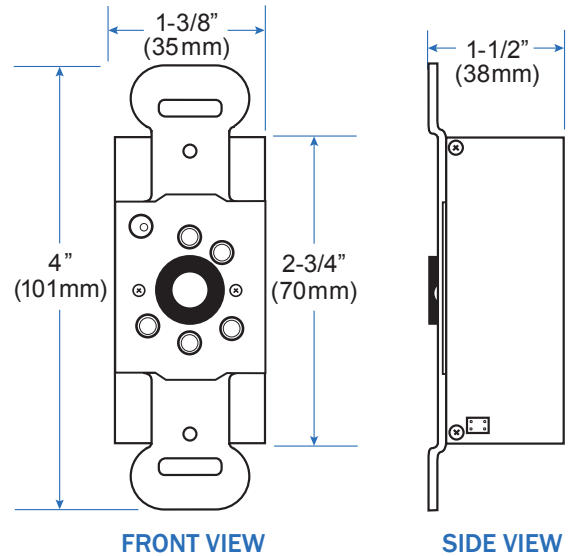


/W - Double Gang
Compatible surface
mounting box
CM-43CBLA.



/R - 6" Round
Stainless steel only.
Indoor use only.
Compatible semi-flush
escutcheon, CM-79A.

SWITCH DIMENSIONS



OPTIONAL FACEPLATE GRAPHICS (Supplied Blank Standard)



/40



/41



/42



/43



/44

Add 'F' to graphic option for French language

OPTIONAL RECEIVERS



CM-RX90

V2 Lazerpoint RF™ single relay receiver,
12/24V AC/DC



CM-RX92

Lazerpoint RF™ dual relay receiver,
12/24V AC/DC



For a complete list of all SureWave™ Touchless Switch Kits, please visit www.camdencontrols.com



Opening New Doors to
Innovation, Quality and Support!

5502 Timberlea Blvd. Mississauga, ON Canada L4W 2T7 • Toll Free: 1 877 226-3369 (CAMDEN9)
Tel: (905) 366-3377 • Fax: (905) 366-3378 • E-mail: info@camdencontrols.com • www.camdencontrols.com



Certified ISO 9001:2015

FS 541752

Part #: MKTG-LIT-SP-CM-330