



CM-25

ALL - ACTIVE JAMB SWITCHES



CM-25



CM-25

FEATURES

- MOUNTS IN ALUMINUM JAMB OR IN SURFACE BOXES
- AVAILABLE IN HORIZONTAL OR VERTICAL FORMATS
- DURABLE STAINLESS STEEL OR SOLID BRASS CONSTRUCTION
- UL/CSA APPROVED SPST N.O. SWITCH, RATED 3 AMPS @ 30V AC
- ALL-ACTIVE DESIGN REQUIRES MINIMAL ACTUATION FORCE & MEETS ADA REQUIREMENTS
- VARIOUS LOGOS & MESSAGES
- ARCHITECTURAL FINISHES

DESCRIPTION

Camden Door Controls CM-25 Series all-active switches are heavy-duty, ADA-compliant door controls. The 1 3/4" x 4 1/2" rectangular faceplates are stainless steel or solid brass, and the assembly is designed for easy installation directly on the aluminum jamb (or use optional surface box). The N.O. tubular switch requires minimal frame cut out, is rated 3 AMP @ 30V DC and provides virtually silent operation.

APPLICATION

Camden all-active switches are designed for areas where an easy-to-activate, high-visibility switch is desired. Ideal for high-traffic areas, hospitals, wheelchair access, seniors' residences, etc. They can be surface or flush mounted.

Camden all-active switches are designed to control electric strikes, electromagnetic locks and automatic doors. They may also be used for shunting, bypassing alarms, request to exit, timed functions and many other applications.

The switches are made for high frequency usage for both indoor and outdoor environments. Camden switches are versatile and can be supplied in various configurations and finishes to suit any commercial, industrial or residential application.



CM-25H/2

KEY SWITCHES

PUSH BUTTONS

MOUNTING OPTIONS

RF CONTROLS

HANDS-FREE SWITCHES

SPECIAL PURPOSE SWITCHES

KEYPADS

ACCESSORIES

ALL - ACTIVE JAMB SWITCHES

ARCHITECTS/ENGINEERS SPECIFICATIONS

The switches to be used throughout the complex shall be Camden Door Controls CM-25 series all-active switches.

The switches shall be easy-to-activate, ADA compliant and all-active, whereby pressing any part of the faceplate will activate the device. Faceplates shall be constructed of 18 gauge stainless steel or solid brass with dimensions of 1 3/4" x 4 1/2", and have concealed mounting screws for tamper resistance. Switches shall use plastic spacers and rubber dampers for noise reduction. Actuating switch shall be of a compact tubular style rated 3 AMP @ 30V DC.

SPECIFICATIONS

VOLTAGE:	12/24V AC/DC
CONTACT TYPE:	N/O SPST
SWITCH TYPE:	MOMENTARY
CONTACT RATING:	3A @ 30VDC
TEMP RANGE:	-40°F TO 140°F (-40°C TO +60°C)
DIMENSIONS:	4 1/2" x 1 3/4" x 1 3/16" 114mm x 44mm x 30mm
STD. FINISH:	US32/C32D

ORDERING INFORMATION

All CM-25 series all-active switches are complete ready-to-install assemblies. They are supplied with stainless steel Allen screws and an Allen wrench for mounting.











MODEL	DESCRIPTION
CM-25	NARROW PUSH PLATE SWITCH, VERTICAL MOUNTING
CM-25/H	NARROW PUSH PLATE SWITCH, HORIZONTAL MOUNTING

DRILL/CUTTING TEMPLATE SUPPLIED WITH PRODUCTS

OPTIONS

(Add suffix to model above)

FACEPLATE GRAPHIC OPTIONS

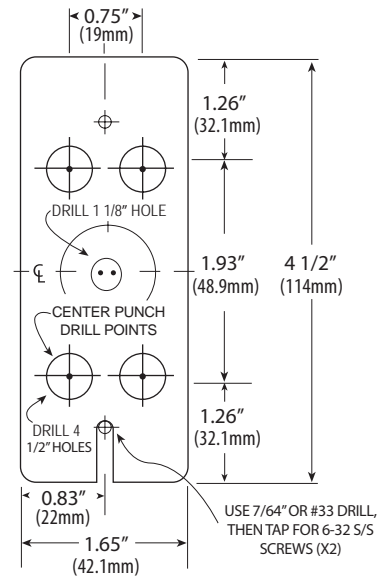
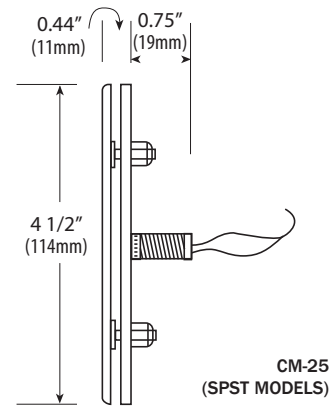
 CM-XX/1	 CM-XX/2	 CM-XX/2AL	 CM-XX/2AR	 CM-XX/3
 CM-XX/3F	 CM-XX/4	 CM-XX/4AL	 CM-XX/4AR	 CM-XX/8

NOTE: /2, /2AL, /2AR, /4, /4AL, /4AR: Blue and /3, /3F, /8: Black

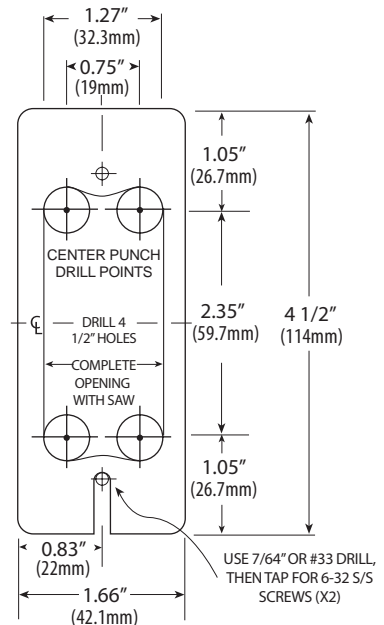
WEATHERPROOF OPTIONS

CM-XXX-WT ADD 'WT' TO PRODUCT # FOR BOOT AND WATER TIGHT COATING

CM-XXX-WR ADD 'WR' TO PRODUCT # FOR WEATHER RESISTANT BOOT



SPST MODELS



DPDT MODELS