

IS2500 Series

FAMILY OF PASSIVE INFRARED MOTION SENSORS



Honeywell's new IS2500 Series consists of a complete range of easy-to-install motion sensors featuring reliable detection, selectable pet immunity, improved false alarm protection and global compliance. Sleek and attractive, all IS2500 sensors share the same family look.

FEATURES

- **Complete line:**

The three available coverage patterns 11/18/30 Meter models (35/60/100') can satisfy every installation, all with the same family look. With three versions, the un-tampered IS2500, the tampered IS2500T and fully featured IS2500TC, we have all the features needed for every installation.

- **Global Compliance:**

Our designs meet many of the world's motion detector standards, including the new EN50131-1 and TS50131-2-2 standards.

- **Selectable Pet Immunity (IS2535/T/TC only):**

Digital processing for improved detection and false alarm protection. Our IS2535 family has switch selectable pet immunity. Whether using the high security/non-pet setting, the intermediate 18Kg/40 lbs. mode or the large 36Kg/80 lbs. setting, you have all the options in one unit.

- **Easy Installation:**

The IS2500 family contains 45° terminal blocks, EOL terminals and our new automatic walk test, making installation and testing a snap.

- **Selectable Sensitivity:**

Two DIP switches make it easy to adjust the sensitivity and adequately protect the premises. Four different levels are available. Each setting modifies either the PIR pulse count or the alarm threshold, allowing the installer utmost flexibility.

- **Flexible Mountings:**

The IS2500 family mounts on walls, in corners or on ceilings, with heights from 2.3-2.7 meters (7'6" to 9'). The IS2500 works with the SMB10 family of swivel brackets.

- **Low temperature version:**

With the IS2500LT (low temp), there is now a product that can be used in cold environments to temperatures as low as -40° C. Applications include but are not limited to unheated sheds, garages, warehouses, etc.

- **False Alarm Immunity:**

The IS2500 family is designed to meet false alarm standards including SIA, EN50131-1 and TS50131-2-2. Microprocessor control helps filter out real signals from false sources. Our patented Black Bug Guard improves falses due to bright lights.

- **Easier Maintenance (IS2500TC family):**

The IS2500TC series is easy to maintain when installed with remote test and alarm memory features.

- **Uniform Sensitivity Optics:**

Custom designed Fresnel lenses help detect intruders at the edge of the protected area as easily as an intruder is directly in front of the sensor.

- **Patented Mirror Look Down:**

Provides better coverage up close with multiple zones in the look down area.

IS2500 Series

FAMILY OF PASSIVE INFRARED MOTION SENSORS

SPECIFICATIONS

- **Detection Method**

- Dual Element Passive Infrared

- **Range**

- IS2535 = 11m x 12m (35' x 40')
- IS2560 = 18m x 26m (60' x 85')
- IS25100 = 30m x 6m (100' x 20')
- IS2500LT = all three lenses included

- **Pet/Animal Immunity (IS2535 family only)**

- Switch Selectable Pet immunity
- 0, 18 or 36Kg (0, 40, or 80lbs)

- **Mounting height**

- 2.3m to 2.7m (7'6" to 9')

- **Power requirements**

- 8.5-15.4VDC

- **Current Draw**

- IS2500/T = 17mA nominal, 20mA Max
- IS2500TC = 21mA nominal, 25mA Max

- **Alarm Relay**

- IS2500/T = Form A (normally closed), 30mA, 24VDC, 40 ohms resistance max
- IS2500TC = Form C (normally open/closed), 30mA, 24VDC, 40 ohms resistance max

- **Tamper Switch**

- Front (IS2500T) and Cover/Back (IS2500TC) = Form A (normally closed), 30mA, 24VDC

- **RFI Immunity**

- 30 V/m, 10 MHz-1000 MHz

- **White Light Immunity**

- > 6500 Lux

- **Sensitivity**

- Switch selectable – Lowest, Low, Medium, High

- **Operating Temperature**

- 10° C to 55° C (14° F to 131° F)
- 40° C to 55° C (-40° F to 131° F) IS2500LT

- **Relative Humidity**

- 5% to 95%, non-condensing

- **Temperature Compensation**

- Advanced Dual Slope Temperature Compensation

- **Self Test**

- PIR internally checks the PIR circuit every 10 minutes and signals trouble if six consecutive self tests fail
- Temperature Compensation - continuously monitors temperature compensation signaling trouble on Temperature Compensation circuit failure.

- **PIR Fields of view**

- IS2535 High Security Lens = 44 zones (22 long range, 12 Intermediate, six lower, four look-down)
- IS2535 Pet Immune Lens = 102 zones (44 long range, 36 intermediate, 18 lower, four look-down)
- IS2560 = 66 zones (44 long range, 12 intermediate, six lower, four look-down)

- IS25100 = 16 zones (four long range, four intermediate, four lower, four look-down)

- **Dimensions**

- 11.2 W x 6.0 H x 4.0 D cm (4-3/8" x 2-1/4" x 1-1/2")

- **Weight**

- 87g (3.1oz.)
- Packaged product 154g (5.4oz.)

- **Arm/Test Inputs (IS2500TC family only)**

- Selectable polarity

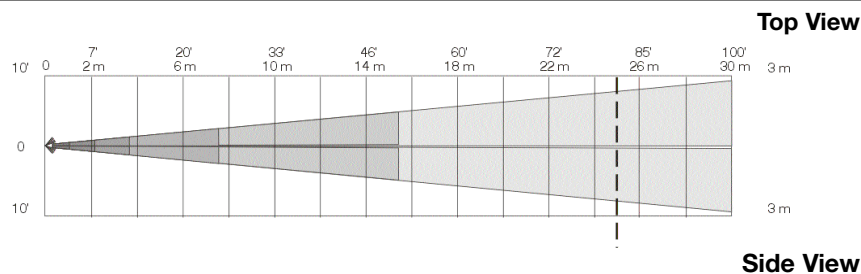
- **Includes**

- Mounting hardware
- Lens Masking
- Look Down Mask
- High Security/Pet Immune lenses (IS2535 family only)

- **Agency Listings**

- FCC
- cULus
- IC
- C-Tick
- CE
- SIA PIR-01
- EN50131-1, Security Grade 2, Environmental Class II
- TSEN50131-2-2, Security Grade 2, Environmental Class II
- MABISZ, TECHOM, ANPI, IMQ, AFNOR, Telefication

Coverage Pattern: IS25100TC



PostScript Picture
SV-100Lens-2m.eps

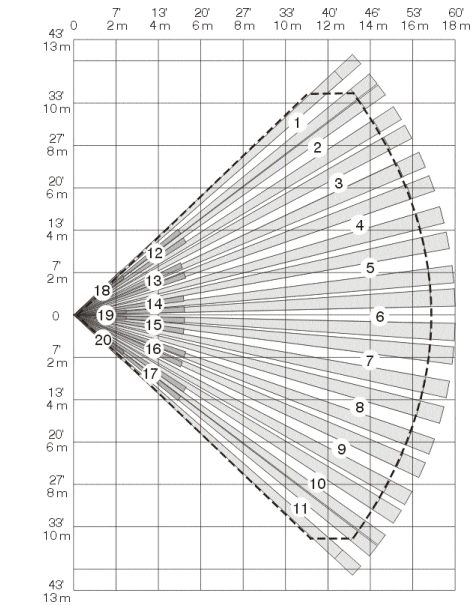
IS2500 Series

FAMILY OF PASSIVE INFRARED MOTION SENSORS

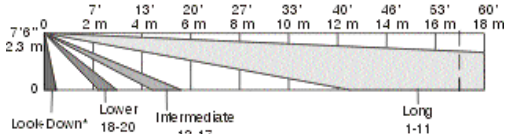
Model	Relay	Tamper	Pet Immunity	Alarm Memory	Remote LED control	Arm input
IS2535	A	No	0, 18, 36 kg (0, 40, 80 lbs.)	No	No	No
IS2535T	A	Front Cover	0, 18, 36 kg (0, 40, 80 lbs.)	No	No	No
IS2535TC	C	Front Cover and Back	0, 18, 36 kg (0, 40, 80 lbs.)	Yes	Yes	Yes
IS2560	A	No	None	No	No	No
IS2560T	A	Front Cover	None	No	No	No
IS2560TC	C	Front Cover and Back	None	Yes	Yes	Yes
IS25100TC	C	Front Cover and Back	None	Yes	Yes	Yes
IS2500LT	C	Front Cover and Back	None	Yes	Yes	Yes

IS2560 Family

Top View

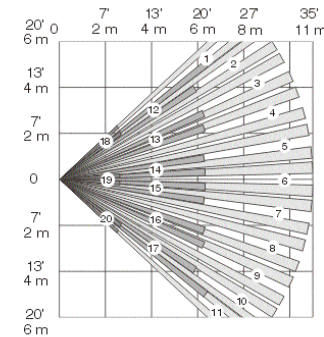


Side View

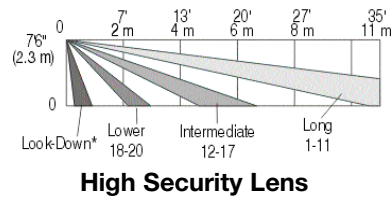


IS2535 Family

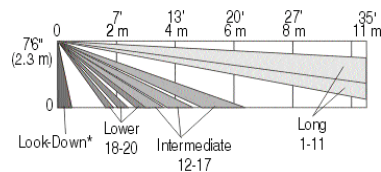
Top View



Side View



High Security Lens

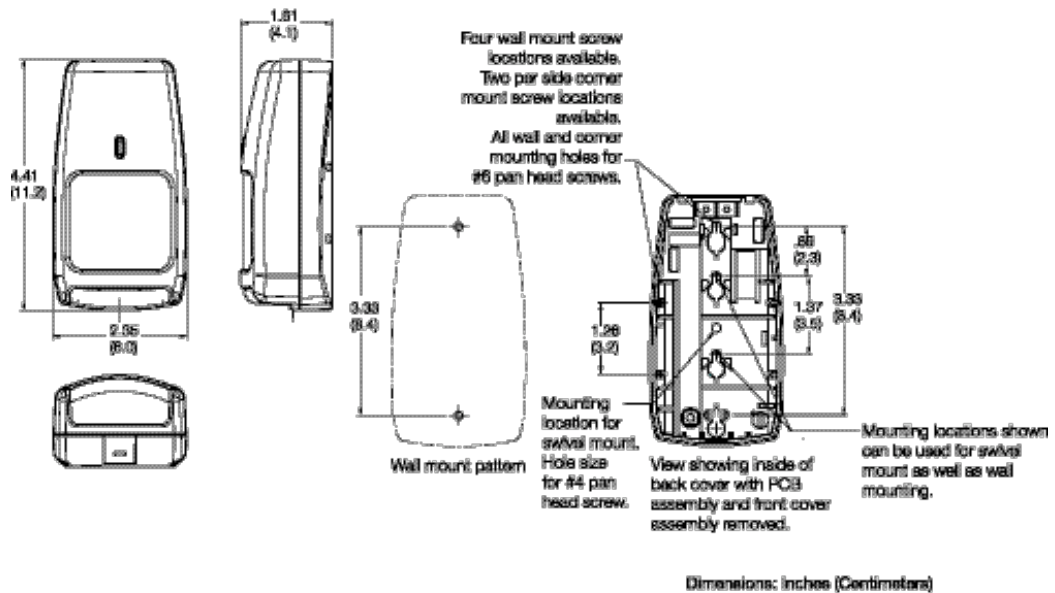


Pet Immunity Lens

IS2500 Series

FAMILY OF PASSIVE INFRARED MOTION SENSORS

SPECIFICATIONS



IS2500 Series PIR Motion Sensor

ORDERING

IS2535	11m/35' Selectable Pet Immune PIR, IS2535/5 Five Pack, IS2535/10 Ten Pack, IS2535/25 Twenty-five Pack
IS2535T	11m/35' Selectable Pet Immune PIR with Case Tamper
IS2560	18m/60' Wide Area PIR, IS2560/5 Five Pack, IS2560/10 Ten Pack, IS2560/25 Twenty-five Pack
IS2560T	18m/60' Wide Area PIR with Case Tamper
IS2535TC	11m/35' Selectable Pet Immune PIR, Case Tamper, Form C, Alarm Memory, Remote LED
IS2560TC	18m/60' Wide Area PIR, Case Tamper, Form C, Alarm Memory, Remote LED
IS25100TC	30m/100' Long Range PIR, Case Tamper, Form C, Alarm Memory, Remote LED
IS2500LT	Low Temperature PIR, includes 11m/35', 18m/60' (installed) and 30m/100' lenses

ACCESSORIES

0-000-110-01	SMB10 Universal White Swivel Mount Bracket (5 pack)
0-000-155-01	SMB10T Tapered Universal White Swivel Mount Bracket (5 pack)
0-000-111-01	SMB10C Universal White Ceiling Mount Bracket (5 pack)



SMB10

SMB10T

SMB10C

Automation and Control Solutions
 Honeywell Security & Communications
 2 Corporate Center Dr. Suite 100
 P.O. Box 9040
 Melville, NY 11747
 www.honeywell.com

Honeywell

L/IS2500/D
 December 2008
 © 2008 Honeywell International Inc.