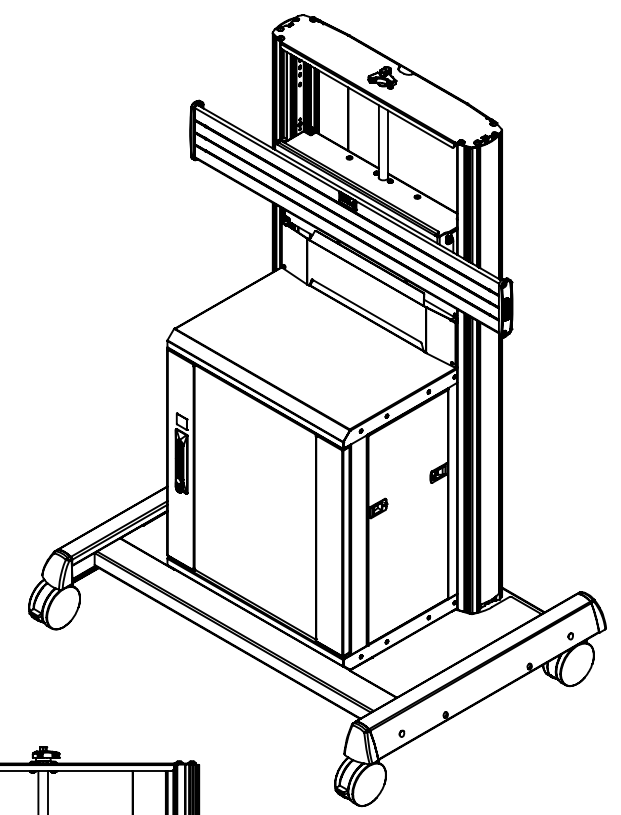
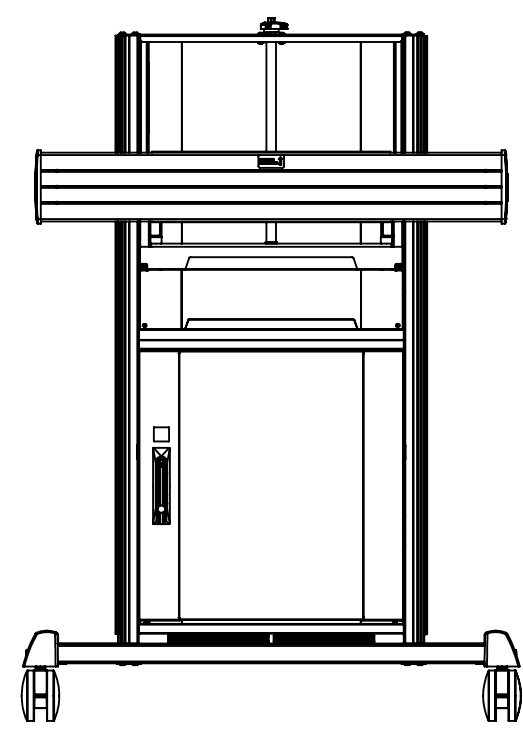
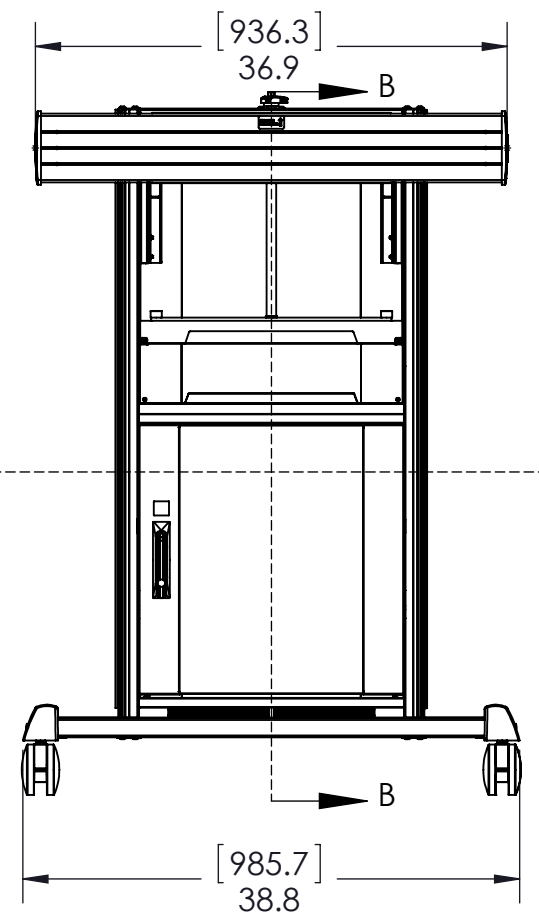
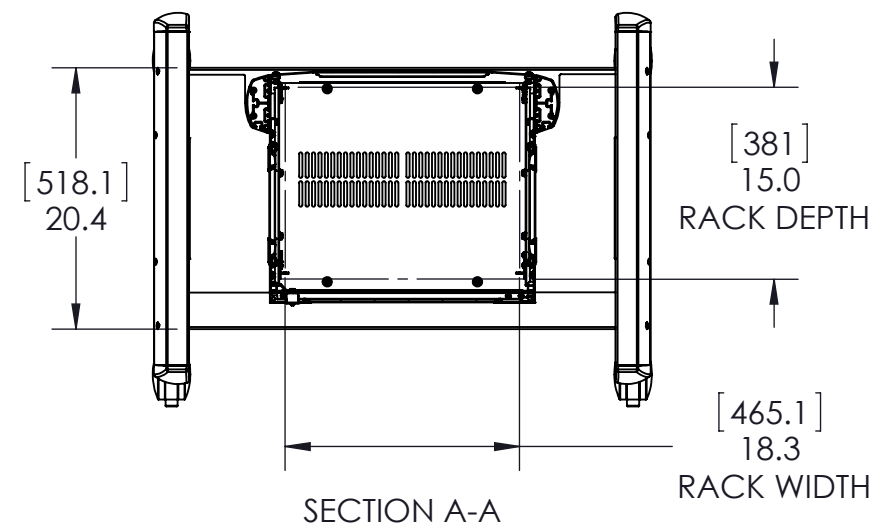
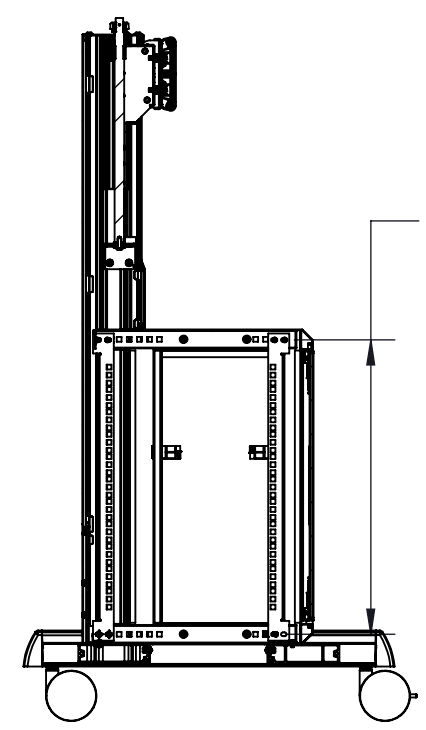
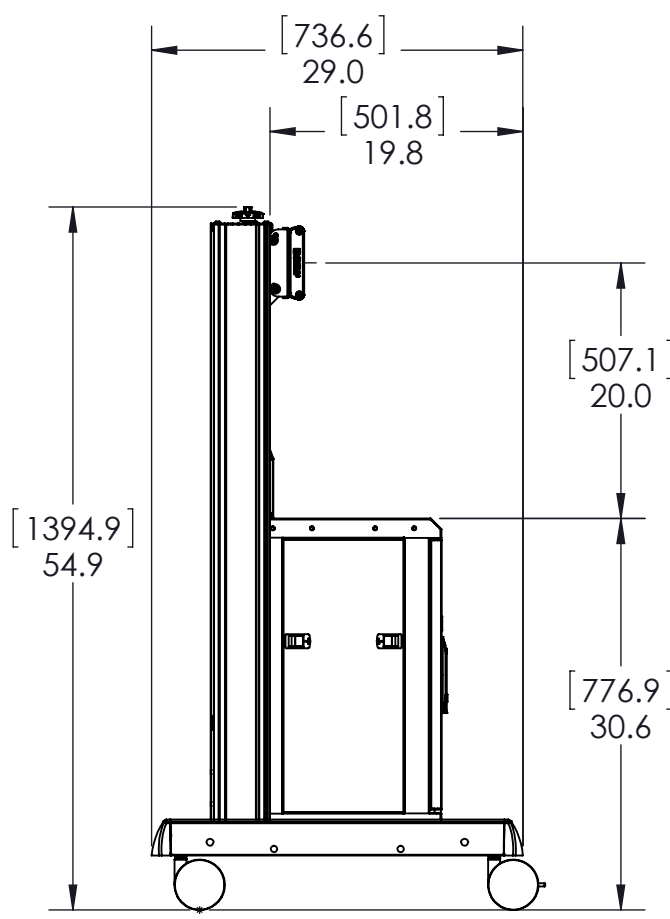


D
C
B
A

D
C
B
A



SYMBOLS 符号	REVISION CHANGE 版本变更	INSPECTION 检验	ITEM NUMBER 编号	REFERENCE DIM. 参考尺寸
	(##)	(.XXX)	(##)	(.XXX)

THE INFORMATION AND DESIGNS CONTAINED IN THIS DRAWING ARE CONFIDENTIAL AND THE PROPRIETARY PROPERTY OF MILESTONE AV TECHNOLOGIES NEITHER THIS DESIGN NOR ANY INFORMATION CONTAINED IN THIS DRAWING MAY BE REPRODUCED OR DISCLOSED TO OTHERS WITHOUT THE EXPRESS WRITTEN CONSENT OF MILESTONE AV TECHNOLOGIES. 本图纸所包含的信息和设计均系 Milestone 机密和知识产权，本图纸所包含的设计和信息在未经 Milestone 允许情况下均不得复制或泄露

THIRD ANGLE PROJECTION 第三角度投影	UNLESS OTHERWISE SPECIFIED 除非另有说明
	X ±.100 [X] ±2.5mm FRACTION 分数 ±1/16 XX ±.030 [X.X] ±.75mm ANGULAR 角度 ±0°30' XXX ±.010 [X.XX] ±.25mm SURFACE FINISH XXXX ±.005 [X.XXX] ±.13mm 表面加工
DIMS. AND TOLERANCES PER ASME Y14.5 - 1994 按照 ASME Y14.5 - 1994 规定的尺寸和公差	MATERIAL 材质
SPECIFICATIONS 规范 8900-000001 8900-000002	
TOOL NO. 模具编号	

BREAK ALL SHARP EDGES 除去所有毛边

CAD GENERATED DRAWING, DO NOT MANUALLY UPDATE. CAD 制图, 非手工更新	
DRAWN BY 绘图者	AK 9/11/2013
ENG APPROVAL 工程批准	
MFG APPROVAL 制造批准	
QA APPROVAL 品质批准	
SHEET 清 1 OF 单 1	SCALE 比例 1:15

milestone AV Technologies	6436 CITY WEST PKWY EDEN PRAIRIE, MN, 55344 PHONE: 866-977-3901 FAX: 877-894-6918
DESCRIPTION 描述	XVA
SIZER 尺寸 DWG. NO. 图纸编号	B TECH-000444
REV. 修订	01