

**2 Megapixel Outdoor IR TVI Turret
Remote Focus Lens****Description:**

The CTT2S12VIFW outdoor turret camera provides high quality video at 2 megapixel resolution over existing coaxial cable. The infrared LEDs provide illumination for clear image quality at night. The IP66 weatherproof rating makes this dome camera suitable for outdoor applications. Costar's new line of HDTV cameras are compatible with the ET Series DVRs and StarNET Video Management Software. StarNET is the remote access software that allows users to remotely view live and recorded video. StarNET incorporates features such as advanced event notification, map monitoring, system status monitoring and many more.

Features:

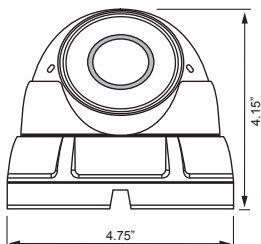
- 2 Megapixel Resolution
- 1/3" CMOS Image Sensor
- 2.8-12mm Remote Focus and Zoom Lens
- 15 IR LEDs with an 80 feet (25m) Range
- Back Light Compensation (BLC)
- Digital Noise Reduction (DNR)
- Wide Dynamic Range (WDR)
- Up-the-Coax (UTC)
- Weatherproof IP66 Rated
- 12VDC or 24VAC

CTT2S12VIFW Specifications

Model	Lens	Resolution
CTT2S12VIFW	2.8-12mm Motorized Lens	2 Megapixel

Power	
Source	12VDC or 24VAC
Consumption	4.5 watts (375mA)
Sensor and General Information	
Image Sensor	1/3" Panasonic CMOS
Signal System	PAL/NTSC
Resolution (H x V)	1920x1080
Lens Focal Length	2.8-12mm Motorized Lens
Iris Control	Auto Iris
Frame Rate	PAL:25fps ,NTSC:30fps
IR LED	15pcs
IR Wavelength	850nm
IR Range	80 Feet (25m) Range
Minimum Illumination	Color:1.0LUX, BW: 0.5 LUX Color:DSS:0.017LUX, BW DSS: 0.0008 LUX
Shutter Speed	PAL:1/50-1/50000, NTSC:1/60-1/60000
S/N Ratio	More than 42dB(AGC off)
Up the Coax	Pelco C, UTC (H)
Video Features	
Max Distance	985 Feet (300m)
Video Output	HD-TVI(1080P), HD-AHD(1080P) CVBS(960H)1Vp-p Composite Output(75 Ω /BNC)
Camera Functions	
Auto Gain Control	0-20 steps
Brightness	0-20 steps
Day & Night	Yes, IR Cut Filter
Defog	Yes
Motion Detection	Yes
Digital Noise Reduction	Yes, 3D
Wide Dynamic Range	120dB (WDR)

General Information	
IP Rating	IP66
Humidity	85% RH Max
Temperature	14°F to 131°F (-10°C to 55°C)
Dimensions	4.72" x 4.15" (120 x 105.5mm)
Weight	1.543 lbs. (700g)
Approvals	FCC, CE

Dimensions


Accessories	
CDMWMS20	Wall Mount
CDAJB10	Junction Box

COSTAR
VIDEO SYSTEMS

101 Wrangler, Suite 201 • Coppel, Texas 75019 • Phone: 469-635-6800 • Fax: 469-635-6822 • Toll Free: 1-888-694-STAR (7827)

www.costarvideo.com

Specifications and design are subject to change without notice. Conversions: 1" = 25.4mm. Measurement conversions are approximate.

Rev. 06/21/17