

Sensor Specifications

Model	CDT2H22MT	
Lens	Optical Zoom 22x, 4.7 - 103mm	
Angle of View	Wide	58.83°(H), 45.07°(V), 69.99°(D)
	Tele	3.23°(H), 2.38°(V), 4.01°(D)
Image Sensor	Type	1/2.8" SONY STARVIS™ CMOS Sensor
	Pixels	1945(H)x1097(V)
Min. Illumination	Color : 0.35Lux / BW : 0.013Lux	
Scanning Mode	Progressive Scan	
Wide Dynamic Range	True WDR 120db	
Day and Night Mode	True D/N(Auto, Day, Night)	
Noise Reduction	3DNR	
Digital Zoom	16x	
Exposure Control	Auto, Manual, Shutter Priority, Iris Priority	
White Balance Control	Auto, Incandescent, Fluorescent, Outdoor, Manual	
Image Effect	Flip	
Flicker Free Mode	50Hz, 60Hz	
Shutter Speed	Auto(1/30,000~8sec), Manual	

Video

Resolution	HD-TVI: 1080p@30fps, 720p@30/60fps AHD: 1080P@30fps
Video Output	HD-TVI, AHD, CVBS

PTZ Functions

Pan Range	360° Endless
Pan Speed	380° / sec (Preset)
Tilt Range	-10° ~ 190°
Tilt Speed	380° / sec (Preset)
Auto Calibration	0.1° ~ 6°
Preset	240
Tour	8
Pattern	8
Home Function	Yes
Privacy Mask Zone	16 Programmable Zones

External In / Out

Alarm	4 Input, 2 Output
Control	Coaxial Communication RS485, Baud Rate: 2400 ~ 38400
Camera Address	1 ~ 3999
Cable Harness	BNC-HD / BNC-CVBS / Alarm in / Alarm out / Data / Power

General

Operating Humidity	0~90% RH(Non-Condensing)
Operating Temperature	-22°F ~ 122°F (-30°~+50°C)
Power Source	24VAC
Power Consumption	1.5A(22w)@24VAC
Dimension	6.06"(Ø) x 5.90"(H)in
Net Weight	3.53lbs
Approvals	FCC, CE, KC
Ingress Protection	IP66



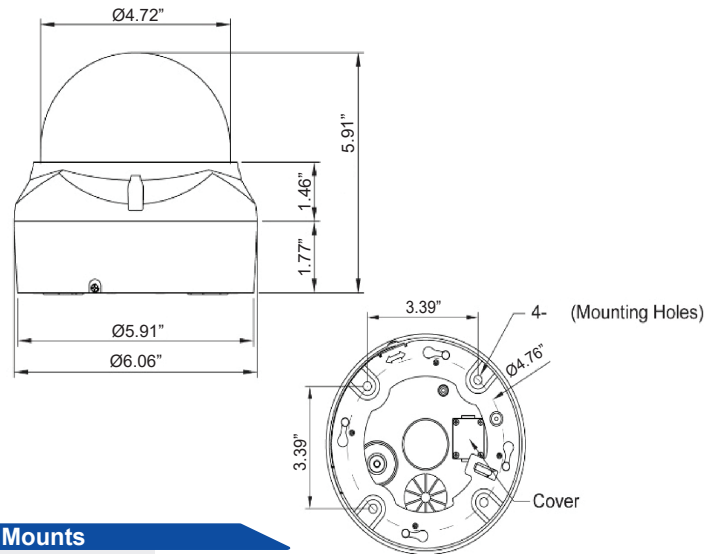
Features

- 2 Mega Pixel Resolution
- TVI / AHD HD Analog
- Sony STARVIS™
- 22x Zoom Optical
- True WDR (120db)

Software

- Central Point VMS
- Central Point Mobile Android™ iOS™

Dimensions



Mounts

CDC2440



CDC2490

