

AVC-PHNT31X20LW/C

2MP, 3MP HYBRID OUTDOOR PTZ CAMERA

HYBRID CAMERA



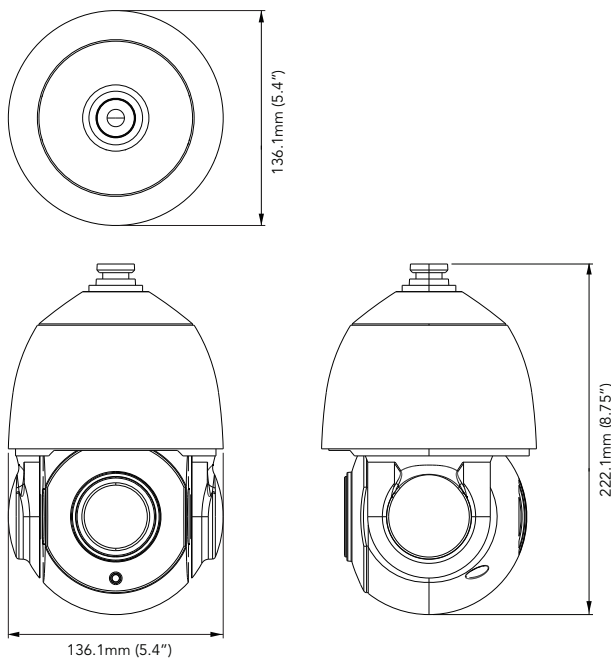
FUNCTION

- 1/2.8" Progressive Scan CMOS, 20x Optical Zoom
- Auto Iris, Auto-focus, Auto White Balance (AWB), BLC, Digital WDR and 3D DNR
- Network Video Resolution: 2048 x 1536 @ 30fps
- HD Analog Output: HD-TVI / AHD, 1920 x 1080 @ 30fps
- H.265 and H.264 Compression Formats
- TCP / IP, UDP, DHCP, DDNS, NTP, RTSP, SMTP, FTP, PPPoE, IPv4 / IPv6
- SD Card Local Storage, Network Remote Storage
- Web Interface
- Efficient, Low Power Consumption IR LED Array with up to 230ft. Illumination
- Built-in Thermostat to Maintain Inside Temperatures to Avoid Fogging of Camera Lens with Changes in External Temperature
- Proprietary 3D Intelligent Position Function through DVR / NVR and Web Clients for Finer Control of Movement and Zoom Control
- Power Off Memory - Allows for PTZ to return to previous position and zoom level camera was at before power was removed
- IP66 Ingress Protection, TVS 6KV Lightning Protection, Surge Protection
- Audio Input / Output: 1 Channel Input / 1 Channel Output
- Precision motor allows for ultra-fine response and smooth movements with less than 0.1° precision error and no image stability issues at any speed
- Supports Home Position Function



DIMENSIONS

Unit : mm (inch)



SPECIFICATION

Model	AVC-PHNT31X20LW/C
Camera	
Image Sensor	1/2.8" Progressive Scan CMOS
Effective Pixel	2MP, 3MP
White Balance	Auto / Manual
WDR	Digital WDR
Auto Gain Control (AGC)	Auto / Manual
3D DNR	Yes
Backlight Compensation (BLC)	Yes
Day & Night Mode	True
Focal Mode	Auto / Manual
Lens	
Focal Length	5.5mm ~ 110mm
Horizontal Field of View	W: 58.6° ~ T: 3.6°
Function	
Pan Range	360° Endless Rotation
Pan Speed	Manual control speed: 0.1° ~ 70°/s; Preset speed: 120°/s/Yes
Tilt Range	0 ~ 90°
Tilt Speed	Manual control speed: 0.1° ~ 50°/s; Preset speed: 50°/s
Zoom	Yes
Preset	360 Presets
Cruise	8 Cruises, 16 Presets for each cruise
Scan	2 Scans
Track	4 Tracks, 3 Minutes recording for each track
Timed / Scheduled Tasks	Yes
Home Position	Yes
Power Off Memory	Yes
IR Function	
IR Distance	4 HI POWER AIB™ IRs (200ft.*)
IR Control	Smart IR - Brightness and angle of IR is controlled by scene and proximity to objects
Network	
Max. Resolution	2048 x 1536
Multi-stream	Mainstream: 3MP (1 ~ 30fps) / 1080P (1 ~ 30fps) / 720P (1 ~ 30fps) Substream: D1 (1 ~ 30fps) / CIF (1 ~ 30fps) Third stream: D1 (1 ~ 30fps) / CIF (1 ~ 30fps) / 480 x 240 (1 ~ 30fps)
Video Compression	H.265 / H.264 / MJPEG
Video Compression Protocol	G.711A / G.711U
Network Protocol	TCP / IP, UDP, DHCP, DDNS, NTP, RTSP, SMTP, FTP, PPPoE, IPv4 / IPv6
Preview Video Channels	Max. 10 CH
HD Analog	
Max. Resolution	1920 x 1080
Video Output	HD-TVI / AHD
System Integration	
Network Interface	RJ45 x 1, 10M / 100M Self-Adaption
SD Card Interface	Built-in microSD Card Slot, Supports Local Recording
API	API, SDK, ONVIF, GB / T28181
General Specification	
OSD Menu	English / Chinese
Power Supply	DC 12V 2500 mA (15W, Max. 21W) / PoE+
Weatherproof Rating	-22°F ~ 140°F (-30°C ~ 60°C); 10% ~ 90% Relative Humidity
Weight	3.63lbs (Net); 5.82lbs (Gross)
Electrical Protection	TVS 6KV Lightning / Surge Protection

*IR distance range varies depending on the environment

ACCESSORIES



AVM-PT-WMT-T30



AVM-PT-CMT-T30