

AVC-LHN21SVT-A1S

2MP AUTO-TRACKING PTZ BULLET CAMERA



2MP AUTO-TRACKING PTZ BULLET CAMERA

2MP AUTO-TRACKING PTZ BULLET CAMERA WITH LICENSE PLATE RECOGNITION FEATURES

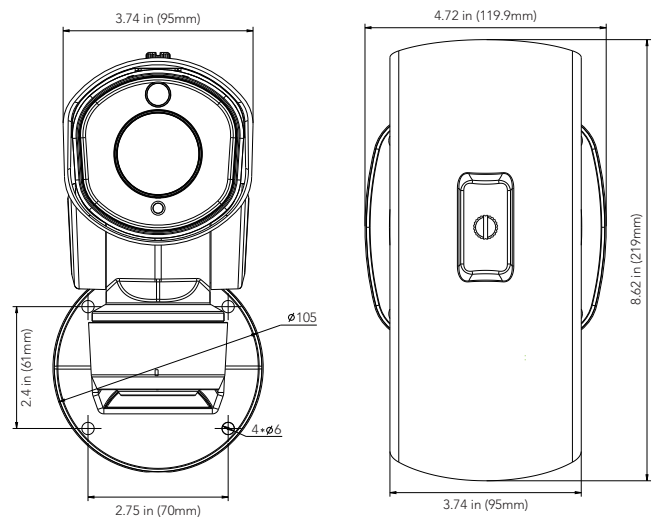
The AVYCON AVC-LHN21SVT-A1S camera is a 2MP Auto-Tracking 12X PTZ Bullet IP Camera, with a 12X Optical Zoom lens and built-in Auto-Tracking and LPR capture capabilities and PoE+ support. This camera supports True Day and Night mode, 0.002 lux sensitivity and up to 460ft. IR distance. This camera also has alarm input and output connections, a microSD slot (256GB max capacity), and is ONVIF Profile S & G compliant. Optional accessories for this camera include a Junction Box Mount and Pole Mount.

FUNCTIONS

- H.265 Video Compression Technology
- 2MP (1920 × 1080) H.265 Full Real Time Encoding
- Max. resolution: 1920 × 1080
- Supports Triple Streaming
- True Day & Night ICR with Starlight
- Ultra Low Light Sensitivity of 0.002Lux@F1.2 for optimal license plate captures
- Up to 460ft. Night Time Viewing Distance
- Supports PTZ Auto Tracking and 360° Endless Panning
- Video Analytics: Optional Intrusion, Line Crossing, Loitering, Tampering and Human Detection, Object Removal, Abandoned Object and People Counting
- Supports Defogging, HLC, BLC, Digital Image Stabilization, and advanced Shutter and Exposure control for LPR
- Supports Alarm Inputs and Outputs
- Supports PoE (10.5W / 20W with IR On) and DC 12V(2A)
- Supports Smartphone, iPad and Remote Monitoring
- IP66 Ingress Protection
- Operating Temperature: -40F - 140F, less than 90% RH

DIMENSIONS

Unit : mm (inch)



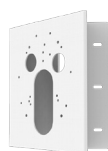
OPTIONAL ACCESSORIES



AVM-LDMT-W-A1



AVM-P-PMT-A1



AVM-P-CMT-A1



AVYCON

Copyright © AVYCON. All rights reserved. Specifications and pricing are subject to change without notice.

AVC-LHN21SVT-A1S

2MP AUTO-TRACKING PTZ BULLET CAMERA

CAMERA	
Image Sensor	1/2.8" Progressive Scan CMOS
Min. Illumination	Color: 0.002Lux@F1.2 B/W: 0Lux with IR on
WDR	140 dB Super WDR
Shutter Speed	1/100,000s ~ 1s
IR Distance	Up to 460ft (140m)
Digital Zoom	16x
Day & Night	True WDR - ICR Filter Auto Switch
Focal Length	5.3 ~ 64mm, 12x Optical Zoom
Zoom Speed	3.1 sec
Field of View	H57° ~ H4° / D69° ~ D5° / V44° ~ V1°
Min. Working Space	1000 ~ 1500mm (Wide-Tele)
Aperture	F1.6 ~ F2.8
PTZ	
Pan Range	360° Endless
Pan Speed	Manual Pan Speed: 0.2° ~ 60°/s, Preset Pan Speed 100°/s
Tilt Range	-45° ~ 30°
Tilt Speed	Manual Tilt Speed: 0.2° ~ 30°/s, Preset Tilt Speed 60°/s
Proportional Zoom	Supported
Number of Presets	255
Preset Freezing	Supported
Patrol	8 Patrols, up to 48 presets each patrol
Pattern	4 Patterns
Power Off Memory	Supported
PTZ Position Display	On / Off
3D Positioning	Supported
VIDEO STREAM	
Max. Image Resolution	1920 x 1080
Primary Stream	(1920 x 1080): 30fps (1280 x 960, 1280 x 720, 704 x 576): 30fps
Secondary Stream	(704 x 576, 640 x 480, 640 x 360, 352 x 288, 320x240, 320 x 192, 320 x 176): 30fps
Tertiary Stream	(1920 x 1080, 1280 x 720, 704 x 576, 640 x 480, 640 x 360, 320 x 240, 320 x 192, 320 x 176): 30fps
Video Compression	H.265+ / H.265 (HEVC) / H.264+ / H.264 / MJPEG
Video Bit Rate	16Kbps ~ 16Mbps (CBR / VBR Adjustable)
Image Settings	Brightness / Contrast / Saturation / Sharpness
NETWORK	
Ethernet	1 x RJ45 10M / 100M Ethernet Port
Network Storage	NAS (Supports NFS, SMB / CIFS)
Protocol	IPv4 / IPv6, TCP, UDP, RTP, RTSP, RTCP, HTTP, HTTPS, DNS, DDNS, DHCP, FTP, NTP, SMTP, SNMP, UPnP, SIP, PPPoE, VLAN, 802.1x, QoS, IGMP, ICMP, SSL
AUDIO	
Audio Compression	G.71 / AAC
Audio I/O	N/A
SYSTEM	
Alarm I/O	1/1
Local Storage	Supports microSD / SDHC / SDXC Card Local Storage, up to 256 GB
Advanced Function	Auto Tracking, Privacy Masking, Backlight Compensation, HLC, 2D DNR, 3D DNR, ROI, Anti-Fog, White Balance, EIS, IP Address
SIP/VoIP Support	Yes, Voice & Video-over-IP
Event Trigger	Motion Detection, Network Disconnection, External Input, Audio Alarm, etc. (Non-PoE Version) FTP Upload, SMTP Upload, SD Card Record, External Output, SIP
Event Action	Phone, White LED, PTZ Motion, HTTP Notification, etc.
Video Analytics	Intrusion, Line Crossing, Loitering, Tampering and Human Detection, Object Removal, Abandoned Object and People Counting
GENERAL	
System Compatibility	ONVIF Profile S & G
Working Temperature	-40° ~ 60°C (-40° ~ 140°F)
Working Humidity	0~90% (Non-Condensing)
Power Supply	DC 12V / 2A±10% / PoE (802.3at)
Power Consumption	10.5w Max / 20w Max (With IR on)
Ingress Protection	IP66 Rated
Weight	4.4lbs (Wall Mount) / 3.9lbs (Pedestal Mount)
Dimensions	Wall Mount: 6.29" x 10.76" x 8.26" (160mm x 273.5mm x 210mm) Pedestal Mount: 8.58" x 4.72" x 6.77" (218MM x 120mm x 172mm)



AVYCON[®]

Copyright © AVYCON. All rights reserved. Specifications and pricing are subject to change without notice.

phone: 949-752-7606

email: info@avycon.com

social: @avycon_aivo

website: avycon.com