

AVC-GA92T

1080P INTERTWIN BOX CAMERA

INTERTWIN



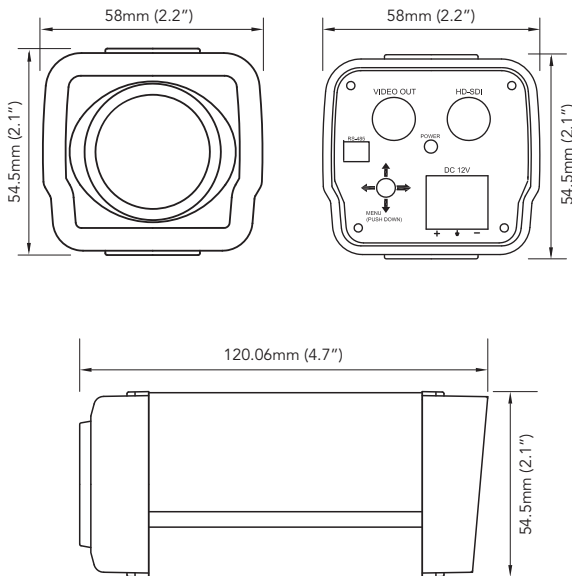
FUNCTION

- INTERTWIN (1080P HD-TVI, (EX-)HD-SDI, CVI, 960H)
- 1/2.9" 2.4Megapixel Sony Exmor CMOS
- True Wide Dynamic Range (WDR 120dB)
- 0.02Lux (Sens-up x32)
- Built in OSD Controller & 2nd BNC Connector
- Digital Noise Reduction
- Multiple Languages
- True Day / Night ICR
- DC 12V (±10%) / AC 24V (±10%) - Dual Voltage



DIMENSIONS

Unit : mm (inch)



SPECIFICATION

DESCRIPTION	NTSC	PAL
Image Sensor	1/2.9" 2.4Megapixel Sony Exmor CMOS	
Image Resolution	1920 × 1080	
Scanning System	Progressive	
Video Output	HD-TVI, CVBS : 1.0 VP-P, 75Ω HD-SDI : 1080P, 720P (30fps), 720 Crop (60fps)	
S/N Ratio	More than 52dB	
Min. Illumination	0.02Lux (Sens-up x32)	
Iris Adjustment	ALC / ELC	
Lens	N/A	
Electronic Shutter	Off / Auto : 1/30s ~ 1/50,000s FLK	Manual : x2 ~ x30
OSD Language	English / Chinese / Japanese / Korean	
Lens Mount	C / CS	
Backlight Compensation (BLC)	Off / HLC / BLC / WDR	
Day & Night	Color / B/W / External / Auto	
Auto Gain Control (AGC)	Adjustable from levels 0 ~ 20	
White Balance	Auto / Auto-EXT / Preset / Manual	
Privacy Masking	On / Off (Programmable up to 16 zones)	
DNR	Off / Low / Middle / High	
Adaptive Contrast Enhancement (ACE)	Off / Low / Middle / High	
Defog	Off / Low / Middle / High	
Digital Zoom	On / Off (x1 ~ x8.0)	
Sens-up	Off / x 2 ~ x32	
Motion Detection	4 Areas	
Digital Effect	Off / V-Flip / Mirror / Rotate	
Defect Correction	Live DPC / DPC Set (Dead Pixel Correction)	
RS-485	Yes, UTC (Up-the-Coax)	
IR LED	N/A	
Input Voltage	DC 12V (±10%) / AC 24V (±10%) - Dual Voltage	
Power Consumption	DC 12V, IR Off : 200mA (±10%) / IR On : 500mA (±10%) AC 24V, IR Off : 190mA (±10%) / IR On : 430mA (±10%)	
Operating Environment	14°F ~ 122°F (-10°C ~ 50°C), 10% ~ 90% Humidity	
Storage Environment	-4°F ~ 140°F (-20°C ~ 60°C), 10% ~ 90% Humidity	