

AVC-PN92X30LW/C

2MP NETWORK IR OUTDOOR PTZ CAMERA

IP CAMERA



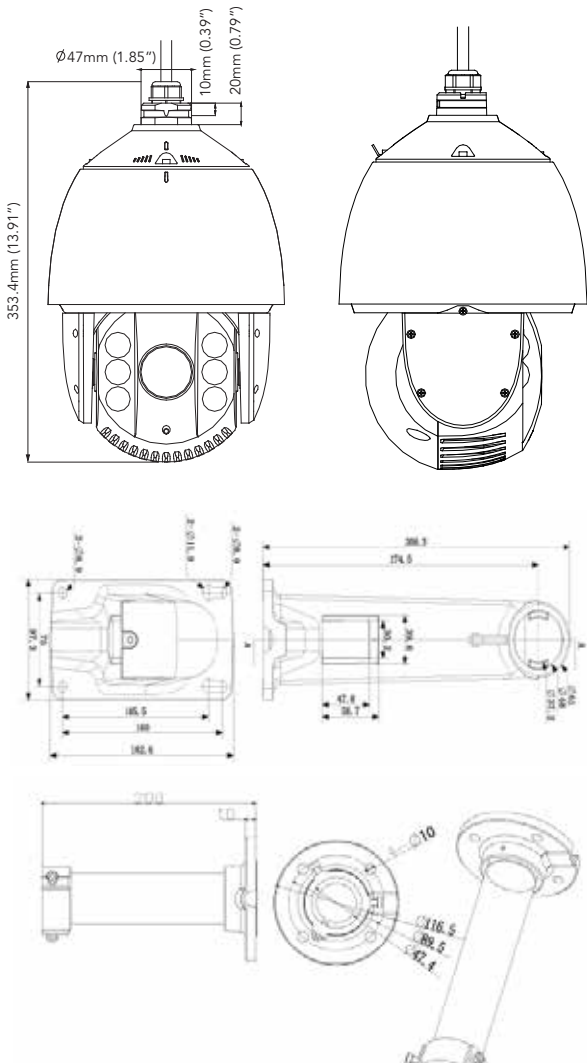
FUNCTION

- 1/2.8" Progressive Scan CMOS
- Full 2.1MP / 1080P Resolution
- H.264 / MPEG4 supported formats
- 30x Optical Zoom (65.1° ~ 2.34° Horizontal FOV)
- PTZ Range: Pan: 360° endless: Tilt 5° ~ 90° (Auto Flip)
- True Day Night, Auto White Balance, BLC, DWDR and 3D DNR supported
- Up to 300ft. IR Illumination with Smart IR
- Alarm Inputs / Outputs: 2/1
- Audio Input and Output
- Support for microSD memory card (128GB Max.)
- Supports ONVIF, PSIA and CGI
- IP66 Rated
- 24VAC / 2A Power or Hi-PoE (30W / 21W - IR On / Off)
- Available with ceiling mount (AVC-PN92X30LC) or wall mount (AVC-PN92X30LW)



DIMENSIONS

Unit : mm(inch)



SPECIFICATION

DESCRIPTION	AVC-PN92X30LW/C
Image Sensor	1/2.8" Progressive Scan CMOS
Effective Pixel	3270K Pixels
Min. Illumination	Color: 0.05Lux (F1.6, 1/30 sec, 50 IRE, AGC On) B / W: 0.01Lux (F1.6, 1/30 sec, 50 IRE, AGC On) / 0Lux with IR
White Balance	Auto / Manual / ATW / Indoor / Outdoor / Daylight Lamp / Sodium Lamp
Auto Gain Control (AGC)	Auto / Manual
S/N Ratio	≥ 52dB
3D DNR	Support
Backlight Compensation (BLC)	Support
HLC	Support
DWDR	Support
Defog	Support
Shutter Time	1 ~ 1/10,000s
Day & Night	IR Cut Filter
Digital Zoom	16x
Privacy Mask	2 privacy masks programmable
Focus Mode	Auto / Semi-automatic / Manual
Focal Length	4.3 ~ 129mm, 30x
Zoom Speed	Approx. 3s (Optical Wide - Tele)
Angle of View	65.1 ~ 2.34 degree (Wide - Tele)
Min. Working Distance	10 ~ 1500mm (Wide - Tele)
Aperture Range	F1.6 ~ F5.0
Pan Range	360° Endless
Pan Speed	Pan Manual Speed: 0.1° ~ 160°/s, Pan Preset Speed: 240°/s
Tilt Range	-15° ~ 90° (Auto Flip)
Tilt Speed	Tilt Manual Speed: 0.1° ~ 120°/s, Tilt Preset Speed: 200°/s
Proportional Zoom	Rotation speed can be adjusted automatically according to zoom multiples
Number of Preset	300
Park action	Pattern / Pan scan / Tilt scan / Frame scan / Panorama scan / Random scan
Patrol	8 patrols, up to 32 presets per patrol
Power-off Memory	Support
PTZ Position Display	On / Off
Preset Freezing	Support
Scheduled Task	Auto Scan / Frame Scan / Random Scan / Patrol / Pattern / Preset / Panorama Scan / Tilt Scan / Dome Reboot / Dome Adjust / Aux Output
IR Distance	6 HI POWER AIB™IRs (300ft.*)
IR Intensity	Automatically adjusted, depending on the zoom ratio
Alarm Input	2 (0 ~ 5V DC)
Alarm Output	1 relay output, alarm response actions configurable
Alarm Trigger	Intrusion detection, Line crossing detection, Motion detection, Audio exception detection, Dynamic analysis, Tampering alarm, Network disconnect, IP address conflict, Storage exception
Alarm Actions	Preset, Patrol, Pattern, Recording, Relay output, Upload center, Upload FTP, Email linkage
Audio Input	1 Audio input (Mic / Line in), 2 ~ 2.4V [p-p]; output impedance: 1KΩ, ±10%
Audio Output	1 Output, Line level, impedance: 600Ω
Ethernet	10Base ~ T / 100Base ~ TX, RJ45 Connector
Max. Image Resolution	1920 × 1080
Frame Rate	50Hz: 25 FPS (1920 × 1080), 25 FPS (1280 × 960), 25 FPS (1280 × 720) 60Hz: 30 FPS (1920 × 1080), 30 FPS (1280 × 960), 30 FPS (1280 × 720)
Image Compression	H.264 / MJPEG
ROI Encoding	Support 2 areas with adjustable levels
Audio Compression	G.711 / G.722 / G.726 / MP2L2
Protocols	IPv4 / IPv6, HTTP, HTTPS, 802.1X, QoS, FTP, SMTP, UPnP, SNMP, DNS, DDNS, NTP, RTSP, RTP, TCP, UDP, IGMP, ICMP, DHCP, PPPoE
Number of Simultaneous Live View	Up to 20
Dual Streams	Support
Mini SD Memory Card	Micro SD Slot, up to 128GB, edge recording
User/Host Level	Up to 32 users, 3 levels: administrator, operator and user
Security Measures	User Authentication (ID and PW), Host Authentication (MAC address), IP Address Filtering
Interface for Application Programming	Open-ended API, support Onvif, PSIA and CGI
Web Browser	Support EZVIZ Cloud P2P
Power	IE 7+, Chrome 18+, Firefox 5.0+, Safari 5.02+
Working Temperature/Humidity	Hi-PoE & 24 VAC / Max. 30W (IR LED On) / Max. 21W (IR LED Off) -30°C ~ 60°C (-22°F ~ 140°F) / 90% or less
Protection Level	IP66 standard TVS 4,000V lightning protection, surge protection and voltage transient protection
Mounting	Various mounting modes optional
Dimensions	Φ220 × 353.4mm (Φ8.66" × 13.91")
Weight	4.5kg (9.92lbs)

*IR distance range varies depending on the environment

Accessories

