



Dual Strobe Expander Plates for Emergency Communications

The new L-Series Universal Expander Plate for Dual Strobe and Dual Strobe with Speaker lowers costs and improves aesthetics by performing the functions of 2-3 devices for emergency communications applications.



SEP-SPSWL
Expander Plate
(as sold)

SEP-SPSWL
Expander Plate
with Horn Strobe

SEP-SPSWL
Expander Plate
with Speaker Strobe
and Backbox Skirt

Features

- Available with either UL 1971-Listed clear lens strobe or UL 1638-Listed amber lens strobe (CAN/ULC-S526)
- Meets DOD specification requirements
- Field-selectable candela settings: 15, 30, 75, 95, 110, 135, 185 (please refer to Equivalent Candela Rating for UL 1971 Table)
- Automatic selection of 12- or 24-volt operation at 15 and 30 candela
- Compatible with System Sensor synchronization protocol
- Optional tamper-resistant Torx head screw included
- Designed to be used in 12 or 24 volt, DC or FWR systems
- Rated from 32°F to 120°F (0°C to 49°C)
- SEP-SPSWL(-P) is compatible with: SPSWL(A), SPSWL(A)-P, SWL(A), SWL(A)-P, P2WL(A), P4WL(A)
- Listed for wall mounting
- SEP-SPSWL(-P) is compatible with colored lens kits (used over clear lenses): Lens-A2, LENS-B2, LENS-G2, LENS-R2, BZW-, BZSPW-

Cut costs, speed installation, and improve aesthetics on emergency communications applications that require fire and emergency warnings by combining the functions of two to three devices on a single mounting plate and back box. **L-Series Universal Expander Plates** provide dual strobe and speaker strobe functionality that's easy for a single person to wire and install. Simply mount the plate to a junction box, attach the mounting plate, and connect the field wiring to the terminals. To complete the installation, hinge and attach the strobe or speaker strobe device with a single captured mounting screw.

The Universal Expander Plate for Dual Strobe and Dual Strobe with Speaker is designed to be used in 12 or 24 volt, DC or FWR (full wave rectified) systems. Amber lens strobes are UL 1638-Listed (Visual Signaling Appliances) for Private Mode General Utility Signaling. Clear lens strobes are UL 1971-Listed (Signaling Devices for Hearing Impaired) for Public Mode Signaling. Clear lens strobes are compatible with colored lenses for UL 1638 Private Mode General Utility Signaling. (CAN/ULC-S526) All L-Series products are suitable for use in synchronized systems. The System Sensor MDL3(A) module may be used to provide synchronization if the sync protocol is not native to the panel.

Agency Listings



Strobes & Horn Strobes: 3057383
Speaker Strobes: 3057493
Amber lenses and color lens
kits over clear lenses: 3062113

Expander Plates: 7300-1653.0511

Dual Strobe and Dual Strobe with Speaker Expander Plate Specifications

Electrical/Operating Specifications	
Operating Temperature	32°F to 120°F (0°C to 49°C)
Humidity Range	10 to 93% non-condensing
Strobe Flash Rate	1 flash per second
Nominal Voltage (strobes)	Regulated 12VDC/FWR or regulated 24DC/FWR
Operating Voltage Range (includes fire alarm panels with built in sync)	8 to 17.5V (12V nominal) or 16 to 33V (24V nominal)
Operating Voltage with MDL3 Sync Module	8.5 to 17.5V (12V nominal) or 16.5 to 33V (24V nominal)
Input terminal wire gauge	12 to 18 AWG
Dimensions (Expander Plate with Strobe or Speaker Strobe Device)	
SEP-SPSWL(-P)	L 13.05 in (331.5 mm) W 5.39 in (136.9 mm) D 2.41 in (61.2 mm)
SPSEP-BBSWL	L 13.75 in (349.3 mm) W 6.10 in (154.9 mm) D 2.5 in (63.5 mm)
Mounting Box Options	
SEP-SPSWL, SEP-SPSWL-P	4" x 4" x 2 ¹ / ₈ " or deeper
SPSEP-BBSWL	4" x 4" x 2 ¹ / ₈ "

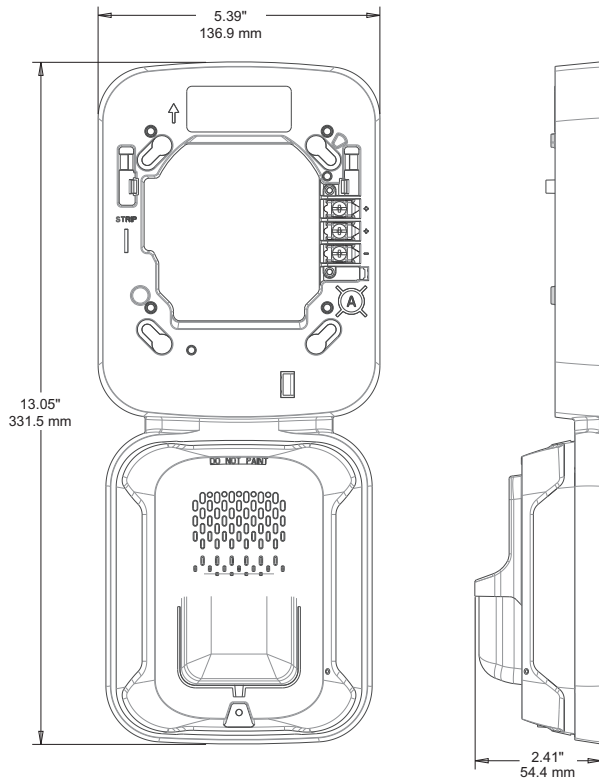
UL Current Draw Data

UL Max. Strobe Current Draw (mA) for SEP-SPSWL(-P)				
	Candela	8 to 17.5 Volts	16 to 33 Volts	FWR
		DC	DC	
Standard	15	88	43	60
Candela Range	30	143	63	83
	75	NA	107	136
	95	NA	121	155
	110	NA	148	179
	135	NA	172	209
	185	NA	222	257

NOTE: Products set at 15 and 30 candela automatically work on either 12V or 24V power supplies. The products are not listed for 12V DC operation when set to any other candela settings.

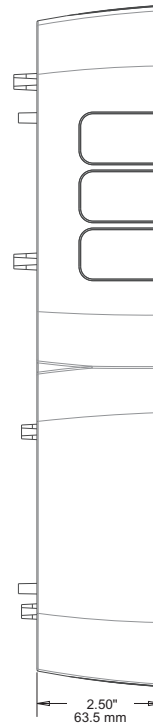
Dimensions

SEP-SPSWL(-P) Expander Plate



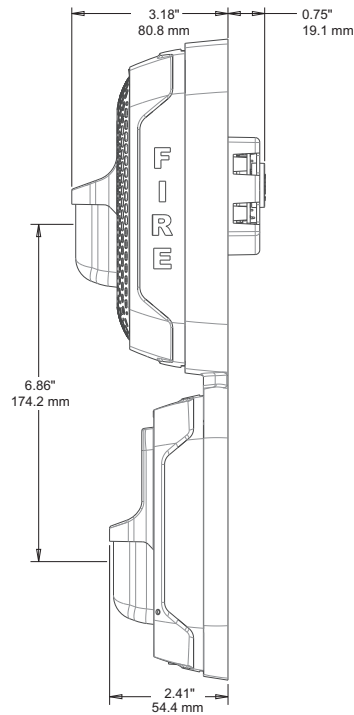
A0569b-00

SPSEP-BBSW Backbox Skirt

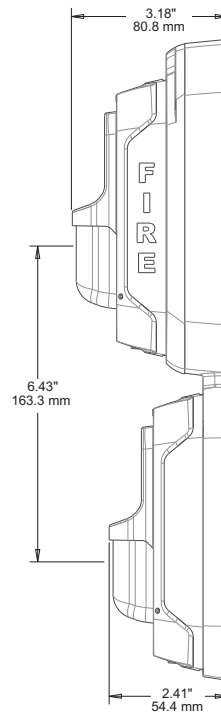


A0571-00

Expander Plate With Speaker Strobe in Upper Position

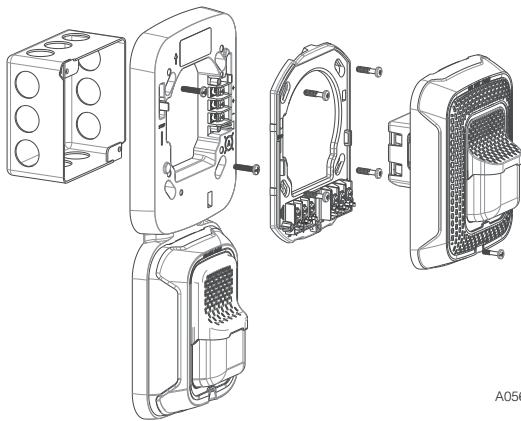


Expander Plate With Horn Strobe in Upper Position



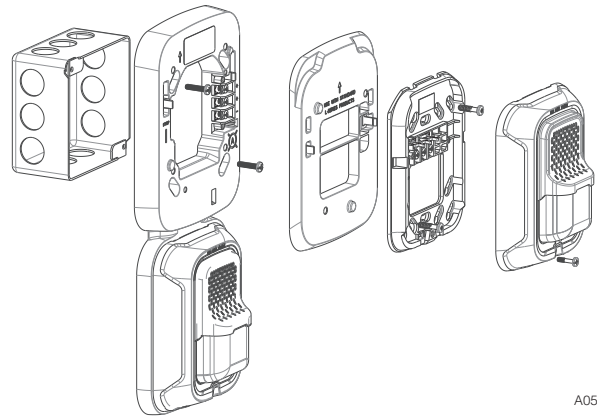
A0570-00

Flush Mounting



A0568-00

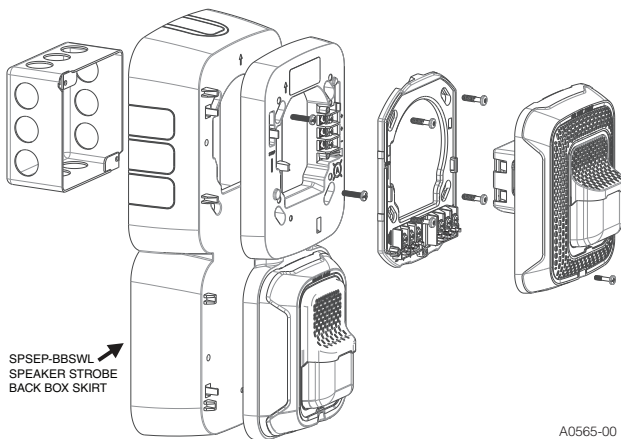
SEP-SPSWL(-P) with Flush-Mounted Speaker Strobe



A0567-00

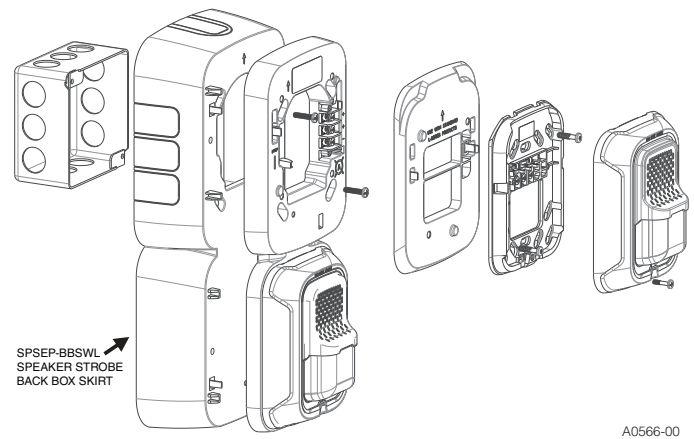
SEP-SPSWL with Flush-Mounted Horn Strobe

Surface Mounting



A0565-00

SEP-SPSWL(-P) with Speaker Strobe and Backbox Skirt



A0566-00

SEP-SPSWL(-P) with Horn Strobe and Backbox Skirt

Ordering Information

Wall Mount

White

Description

SEP-SPSWL	Universal Expander Plate, Amber Lens, Full Candela Range, White, Alert, Compatible with all L-Series wall notification appliances.
SEP-SPSWL-P	Universal Expander Plate, Clear lens, Full Candela Range, White, Plain Compatible with all L-Series wall notification appliances.
SPSEP-BBSWL	Universal Expander Plate Back Box Skirt, White Compatible with SEP-SPSWL and SEP-SPSWL-P



3825 Ohio Avenue • St. Charles, IL 60174
Phone: 800-SENSOR2 • Fax: 630-377-6495

©2019 System Sensor.
Product specifications subject to change without notice. Visit systemsensor.com for current product information, including the latest version of this data sheet.
AVDS900-03 • 6/6/2019