



Indoor Selectable-Output Speaker Strobes and Dual Voltage Evacuation Speakers for Ceiling Applications

System Sensor L-Series selectable-output speaker strobes and dual-voltage evacuation speakers can reduce ground faults and enable faster installation with lower current draw and modern aesthetics.

Features

- Plug-in design and protective cover reduce ground faults
- Universal mounting plate with an onboard shorting spring tests wiring continuity before installation
- No extension ring required
- Field selectable candela settings on ceiling units: 15, 30, 75, 95, 115, 150, and 177
- Automatic selection of 12- or 24-volt operation at 15 and 30 candela
- Rotary switch simplifies field selection of speaker voltage (25 and 70.7 Vrms) and power settings (¼, ½, 1 and 2 watts)
- Speakers offer high fidelity and high volume sound output
- Compatible with System Sensor synchronization protocol
- Electrical compatibility with existing SpectrAlert and SpectrAlert Advance products
- Tamper-resistant construction
- Updated modern aesthetics

Agency Listings



FM approved except
for ALERT models
3057493



System Sensor L-Series of speakers and speaker strobes reduce costly ground faults using a plug-in design and universal mounting plate that allow the installer to pre-wire mounting plates, dress the wires, and confirm wiring continuity before plugging in the speakers. In addition, a protective plastic cover prevents nicked wires by covering exposed speaker components.

These devices also enable faster installations by providing instant feedback to ensure that wiring is properly connected, rotary switches to select voltage and power settings, and 7 field-selectable candela settings for both wall and ceiling speaker strobes.

The low total harmonic distortion of the SP speaker offers high fidelity sound output while still offering high volume sound output for use in high ambient noise applications.

L-Series makes installation easy

- Attach a universal mounting plate to a 4 × 4 × 2½ inch back box . Flush-mount applications do not require an extension ring.
- Connect the notification appliance circuit or speaker wiring to the terminals on the mounting plate.
- Attach the speaker or speaker strobe to the mounting plate by inserting the product tabs into the mounting plate grooves. Hinge the device into position to lock the product pins into the mounting plate terminals. The device will temporarily hold in place with a catch until it is secured with a captured mounting screw.

L-Series Speaker and Speaker Strobe Specifications

Architectural/Engineering Specifications

General

L-Series speaker and speaker strobes shall mount to a 4 × 4 × 2½-inch back box. A universal mounting plate shall be used for mounting ceiling and wall products. The notification appliance circuit and amplifier wiring shall terminate at the universal mounting plate. Also, L-Series speaker strobes, when used with the Sync•Circuit™ Module accessory, shall be powered from a non-coded notification appliance circuit output and shall operate on a nominal 12 or 24 volts. When used with the Sync•Circuit Module, 12-volt rated notification appliance circuit outputs shall operate between 8.5 and 17.5 volts; 24-volt rated notification appliance circuit outputs shall operate between 16.5 and 33 volts. Indoor L-Series products shall operate between 32°F and 120°F (0°C and 49°C) from a regulated DC, or full-wave rectified, unfiltered power supply. Speaker strobes shall have field-selectable candela settings including 15, 30, 75, 95, 115, 150, 177.

Speaker

The speaker shall be a System Sensor L-Series model _____ dual-voltage transformer speaker capable of operating at 25.0 or 70.7 nominal Vrms. It should be ULC listed. The speaker shall have a frequency range of 400 to 4,000 Hz and shall have an operating temperature between 32°F and 120°F (0°C and 49°C). The speaker shall have power taps and voltage that are selected by rotary switches.

Speaker Strobe combination

The speaker strobe shall be a System Sensor L-Series model _____ and ULC listed. The speaker shall be capable of operating at 25.0 or 70.7 nominal Vrms selected via rotary switch, and shall have a frequency range of 400 to 4,000 Hz. The speaker shall have power taps that are selected by rotary switch. The strobe shall comply with the NFPA 72 requirements for visible signaling appliances, flashing at 1 Hz over the strobe's entire operating voltage range. The strobe light shall consist of a xenon flash tube and associated lens/reflector system.

Synchronization Module

The module shall be a System Sensor Sync•Circuit model MDL3RA or MDL3WA and ULC listed. The module shall synchronize strobes at 1 Hz. The module shall mount to a 4½ × 4½ × 2½-inch back box. The module shall also control two Style Y (class B) circuits or one Style Z (class A) circuit. The module shall synchronize multiple zones. Daisy chaining two or more synchronization modules together will synchronize all the zones they control. The module shall not operate on a coded power supply.

Physical Specifications

Operating Temperature	32°F to 120°F (0°C to 49°C)	
Humidity Range	10 to 93% non-condensing	
Dimensions, Ceiling-Mount	Diameter	Depth
SPCLA Speaker	6.8 in, 173 mm	1.0 in, 25 mm
With Surface Mount Back Box	6.9 in, 176 mm	3.5 in, 89 mm
SPSCLA Speaker Strobe	6.8 in, 173 mm	2.8 in, 73 mm
With Surface Mount Back Box	6.9 in, 176 mm	5.37 in, 136 mm

Electrical/Operating Specifications

Nominal Voltage (speakers)	25 Volts or 70.7 Volts (nominal)
Maximum Supervisory Voltage (speakers)	50 VDC
Strobe Flash Rate	1 flash per second
Nominal Voltage (strobes)	Regulated 12 VDC or regulated 24 VDC/FWR ^{1,2}
Operating Voltage Range (includes fire alarm panels with built in sync)	8 to 17.5 V (12 V nominal) or 16 to 33 V (24 V nominal)
Operating Voltage with MDL3A Sync Module	8.5 to 17.5 V (12 V nominal) or 16.5 to 33 V (24 V nominal)
Frequency Range	400 to 4,000 Hz
Power	¼, ½, 1, 2 watts

1. Full Wave Rectified (FWR) voltage is a non-regulated, time-varying power source that is used on some power supply and panel outputs.

2. Strobe products will operate at 12 V nominal only for 15 and 30 cd.

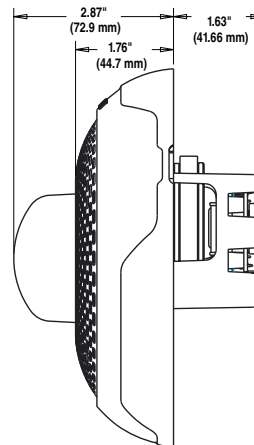
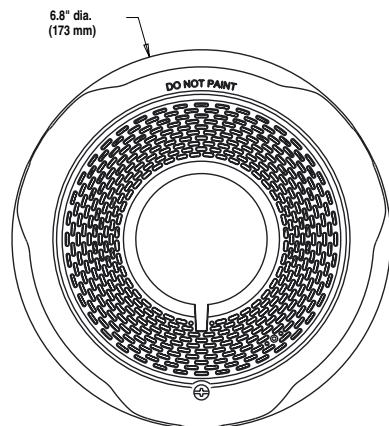
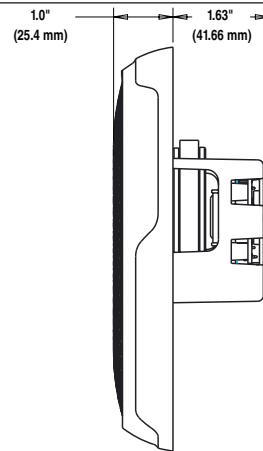
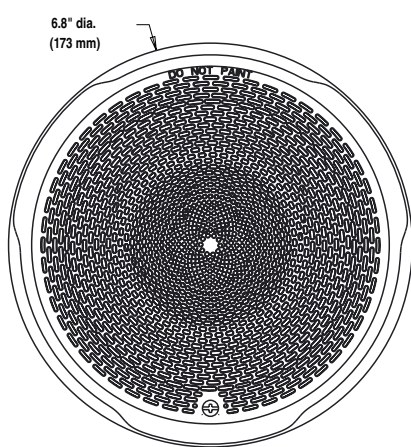
ULC Current Draw Data

ULC Max. Strobe Current Draw (mA RMS)			
	8 to 17.5 Volts	16 to 33 Volts	
Candela	DC	DC	FWR
15	87	41	60
30	153	63	86
75	NA	111	142
95	NA	134	164
115	NA	158	191
150	NA	189	228
177	NA	226	264

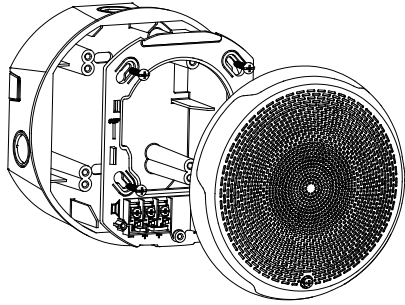
Ceiling-Mount Speaker Sound Output	
Setting	Anechoic (dBA @ 10 ft)
1/4 W	79
1/2 W	82
1 W	85
2 W	88

Ceiling-Mount Speaker Strobe Sound Output	
Setting	Anechoic (dBA @ 10 ft)
1/4 W	77
1/2 W	80
1 W	83
2 W	86

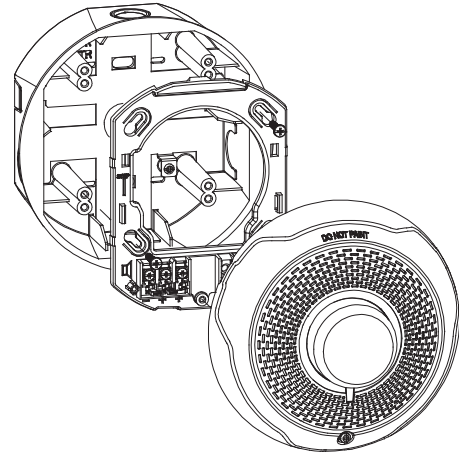
L-Series Dimensions



Surface Mounting



Ceiling Speaker with Surface Mount Back Box



Ceiling Speaker Strobe with Surface Mount Back Box

Ordering Information for L-Series Speakers and Speaker Strobes

Ceiling Mount		
White	Red	Description
SPCWLA	SPCRLA	Speaker only
SPCWLA-T	SPCRLA-T	Speaker with Trim Ring
SPSCWLA	SPSCRLA	Speaker Strobe
SPSCWLA-P	—	Speaker Strobe, Plain
SPSCWLA-TP	—	Speaker Strobe with Trim Ring, Plain
SPSCWLA-T	SPSCRLA-T	Speaker Strobe with Trim Ring, Bilingual
SPSCWLA-TE	SPSCRLA-TE	Speaker Strobe with Trim Ring, English
SPSCWLA-TF	SPSCRLA-TF	Speaker Strobe with Trim Ring, French
Accessories		
White	Red	Description
SBBCWL	SBBCRL	Universal Ceiling Surface Mount Back Box
TRC-2W	TRC-2	Universal Ceiling Trim Ring

For strobe models, add suffix -E for English only, -F for French only.