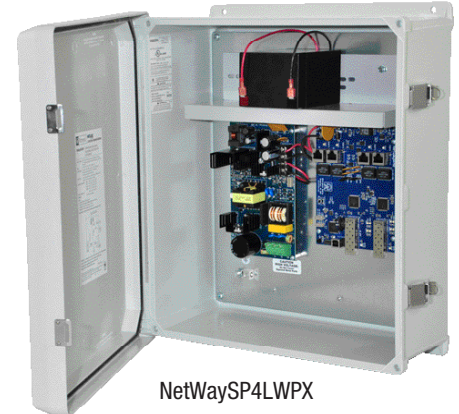


# NetWaySPLWPX Series

## Hardened PoE+ Switches with Optimized Lithium Iron Phosphate Battery Charger

### Description

Altronix Hardened Ethernet over Fiber PoE+ Switches with Optimized Lithium Iron Phosphate Battery Charger provide one (1) or two (2) 1Gb SFP (Fiber) ports, three (3), four (4) or eight (8) PoE (up to 15W) or two (2) PoE+ (up to 30W) ports passing data for PoE/PoE+ compliant devices. Outputs are also configurable for a single Hi-PoE (60W) port. These units are designed to support a single 12V LiFePO<sub>4</sub> (Lithium Iron Phosphate) battery for high storage and charge/discharge cycle life reliability.



NetWaySP4LWPX

### Key Features

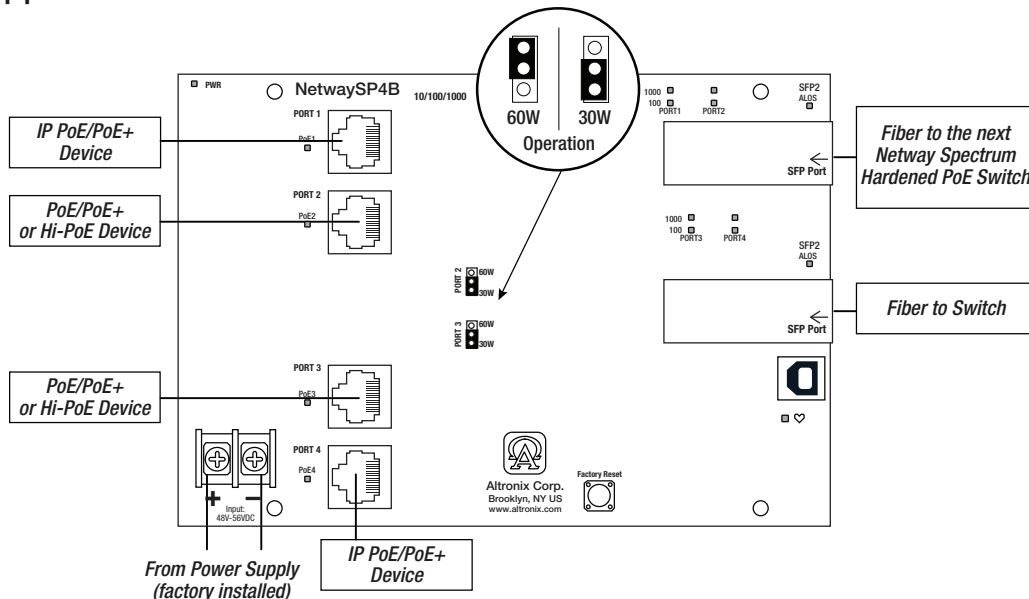
- One (1) or two (2) Gigabit SFP ports.
- 75W total power.
- IEEE 802.3af (15W), IEEE 802.3at (30W) and IEEE802.3bt (Type 3 "4PPoE" 60W) compliant.
- PoE activity LED indicators.
- Built-in charger for 12V LiFePO<sub>4</sub> (Lithium Iron Phosphate) battery.
- Automatic switch over to stand-by battery when AC fails.
- NEMA4/4X, IP66 Rated enclosure for outdoor use.
- Lifetime Warranty

### NetWaySPLWPX Series Hardened PoE+ Switch Configuration Reference Chart

Altronix Model Number	SFP Ports	PoE and PoE+ Ports (up to 30W)	Hi-PoE Ports (up to 60W)
NetWaySP3LWPX	1	3	1
NetWaySP4LWPX	2	4	Up to 2*
NetWay4ELWPX	1	4	1
NetWaySP8LWPX	2	8	Up to 2*

\*Note: Units provide a total of 75W power. Thus, at any time, only one designated port can provide full 60W output.

### Typical Application



# NetWaySPLWPX Series

## Hardened PoE+ Switches with Optimized Lithium Iron Phosphate Battery Charger

### Specifications

#### Input

Voltage	115VAC, 60Hz, 2.5A or 230VAC, 50/60Hz, 1.3A.
Fusing	5A/250V.

#### Power Output

See Configuration Chart for output ports.  
Integral surge protection.

**Fiber Ports:** One (1) or two (2) Gigabit SFP ports.

**Ethernet Ports:** 10/100/1000 Mbps ports.  
Connectivity: RJ45, auto-crossover.  
Wire type: 4-pair CAT5 or better structured cable.  
Distance: up to 100m.  
Speed: 10/100/1000 Mbps, half/full duplex, auto negotiation.

#### Indicators (LED)

Individual PoE On LEDs for each port.  
Individual IP Link status, 10/100Base-T/active LEDs for each port.  
ALOS LED indicates fiber connection for SFP port.  
Heartbeat LED indicates proper operation of the unit.

#### Back-up Battery (not included)

Type	LiFePO <sub>4</sub> (Lithium Iron Phosphate).
Failover	Upon AC loss, instantaneous.

#### LINQ Technology:

Remote network management allows for camera/device reset and monitoring.  
Provides local and/or remote access to critical information via LAN/WAN.  
Email and Windows Dashboard Alert notifications report real-time diagnostics.  
Event log tracks history.

#### Physical and Environmental

**Enclosure Dimensions (H x W x D approx.):**  
17.53" x 15.3" x 6.67" (445.3mm x 388.6mm x 169.4mm).  
NEMA 4/4X, IP66-11 Rated enclosure for outdoor use.  
Accommodates one (1) LiFePO<sub>4</sub> (Lithium Iron Phosphate) battery.

#### Product Weight / Shipping (approx.)

Product Weight:	15 lb. (6.8 kg).
Shipping Weight:	17.5 lb. (7.9 kg).

#### Temperature

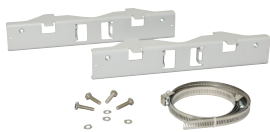
Operating:	60W: -40°C to 75°C (-40°F to 167°F). 75W: -40°C to 70°C (-40°F to 158°F).
Storage:	-40°C to 85°C (-40°F to 185°F).

Relative Humidity: 85% +/-5%.

BTU/Hr. (approx.): 61 BTU/Hr.

Operating Altitude: -304.8 to 2,000m.

### Accessories



**PMK2 - Pole Mount Kit**  
(order separately)  
PMK2 pole mount kit is designed to simplify installation of outdoor units. It accommodates 2" - 8" (diameter) poles.



**NetWaySP1A - Ethernet over Fiber Media Converter/Repeater**  
For Applications requiring an additional SFP (Fiber) Port

NetWaySP1A PoE powered media converter/repeater converts 10/100/1000 Mbps to Fiber (1000Base-X/SX/LX).



**P1MM and P1SM10 - SFP Modules**  
P1MM and P1SM10 are hot-pluggable SFP fiber transceiver modules and are readily usable with all Altronix Spectrum fiber optic equipment for 1G transmission rates.

The P1MM is to be used with Multi-Mode Fiber for distances up to 550m.  
The P1SM10 is to be used with Single-Mode Fiber for distances up to 10km.



**P1AB2K - SFP Single-Mode Transceiver Kit**  
P1A2K and P1B2K are hot-pluggable bi-directional single strand SFP fiber transceiver modules and are readily usable with all

Altronix NetWay Spectrum fiber optic equipment for 1G transmission rates at distances up to 2km.



**P1GCE - SFP Copper Transceiver**  
P1GCE is a hot-pluggable SFP transceiver module and is readily usable with all Altronix NetWay Spectrum equipment for 1G transmission rates. The P1GCE is to be used with CAT5e or better copper ethernet for distances up to 100m.



**BTL125 - 12VDC/4.5AH LiFePO<sub>4</sub> Battery.**  
Usable with all Altronix Spectrum fiber optic equipment with Optimized Lithium Iron Phosphate Battery Charger.