

ECD-1000



- Maximum Number of Video Devices: 16
- Free License: 16
- Event trigger, response and notification
- Web Client

► Specifications

Device

Product Type	Media Display Server
Maximum Resolution	Local: up to 2MP; Remote: up to 12MP
Product Application	Digital Signage, Video Decoding, Public Viewer
Maximum Number of Cameras	16
Maximum Number of Video Devices	16
Maximum Number of Clients	Local: 1, Remote: 2
Supported Screen Resolution	HDMI: 1080p Composite Video: NTSC/PAL

License

License required	No
Free License	16

Live View

Display Layout Mode	1, 2, 4, 9, 12, 16, 1+5, 1+7, 1+12, 2+4, 2+8
Digital Zoom	Yes
Event Status	Network loss, Motion, DI

PTZ

PTZ Control	PTZ Control, Speed Control, 32 preset points, 32 preset tours
Pan, Tilt or Zoom protocol	ACTi URL command

Video

Video Source	Live video streams from IP Camera, Software NVR (NVR 3), Standalone NVR (GNR, INR series)
Compression	H.264
Maximum Frame Rate vs. Resolution	30 fps at 1920 x 1080 30 fps at 720 x 480 25 fps at 720 x 576 30 fps at 640 x 480

Audio

Audio Type	1-way
------------	-------

Network

Network Protocol & Service	TCP, UDP, IP, HTTP, HTTPS, DHCP, PPPoE, RTP, RTSP
Ethernet Port	1 x RJ-45 connector
Security	Password protected user level

Event

Event Trigger	Video loss, Network loss
Event Response	Play alert sound

System

Permission control	Multi-group/users, Liveview/setup/remote level permission
Client PC Operating System	Windows 8.1, Windows 7 SP1
Server Operating System	Embedded Linux
USB	1-Port USB 2.0
Language	Multi-Language
System Status Monitor	Real time status reports on remote browser

Integration

Unified Solution	Fully compatible with ACTi cameras and encoders
ONVIF Compliant	Yes, Profile S
Web Browser	IE 11 (Please verify that your computer meets the minimum system requirements for Internet Explorer from Microsoft website.)

Interface

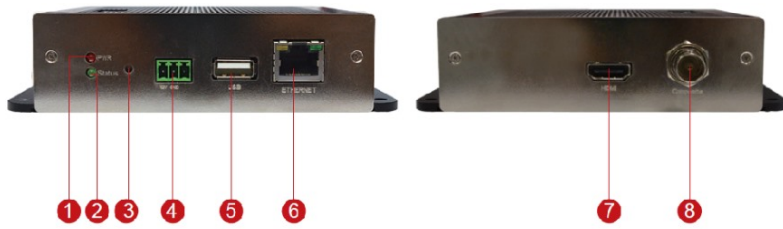
HDMI Output	1, HDMI Type A
Analog Video Output	1 x CVBS, BNC connector
External Storage Interface	USB(Support Digital Signage function from external USB drive)
Local Access	HDMI monitor, USB keyboard & mouse

General

Power Source	DC 12V, PoE Class 3 (IEEE802.3af)
Power Consumption	8.5 W (PoE), 7 W (DC)
Weight	566g (1.25lb)
Dimensions	(W x H x D): 135mm x 114mm x 33mm (5.3" x 4.5" x 1.3")
Bundled Accessories	Power Adapter, Pole Mount
Mount Type	Surface, Pole, VESA mount 10x10

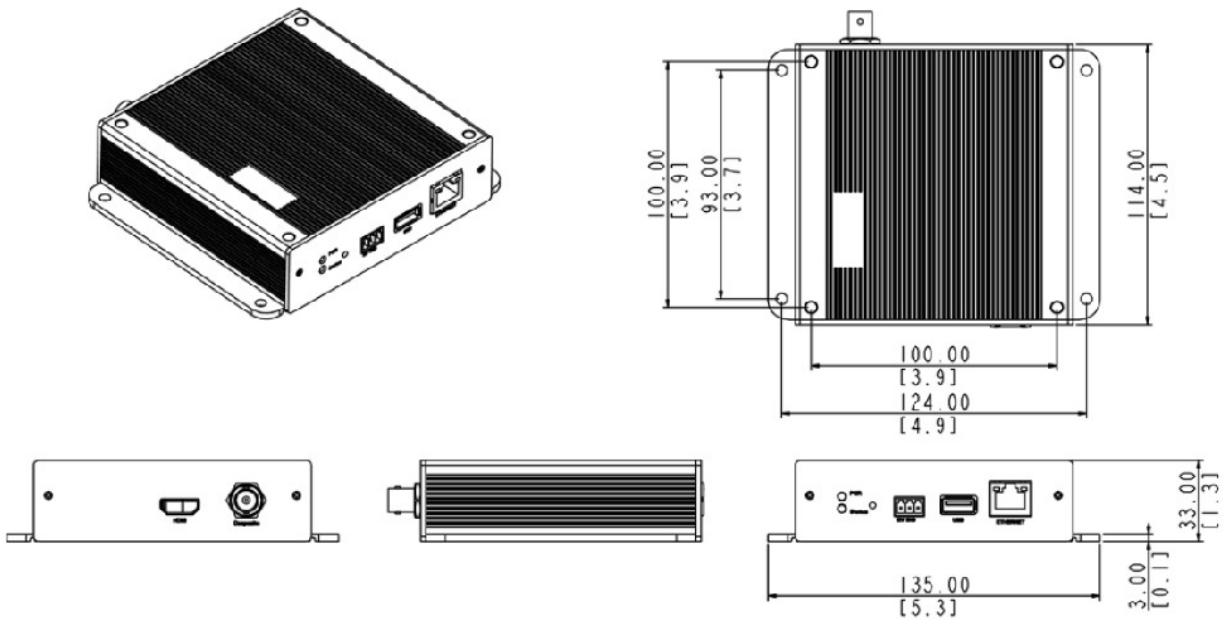
Starting Temperature	0°C ~ 50°C (32°F ~ 122°F)
Operating Temperature	0°C ~ 50°C (32°F ~ 122°F)
Operating Humidity	10% - 85% RH
Remote Access	Web Client
Approvals	CE, FCC, UL (for bundled power adapter)
Warranty	3 Year(s). For extended warranty offering, see http://www.acti.com/support/warranty

► Photo Indication



- 1 Power LED
- 2 System Ready LED
- 3 Reset Button
- 4 DC 12V Power Input
- 5 USB Port
- 6 Ethernet Port
- 7 HDMI Port
- 8 Analog Video Output (Composite)

► Dimension Diagram



Unit: mm [inch]

Unit: mm [inch]