

DAK-2S

Dual Master Adaptor Kit for Two Station Systems

DESCRIPTION:

The DAK-2S dual master adaptor kit is designed for use with Aiphone's C-123L and LEM series. The kit contains component modules to allow two master stations to answer a single door. Additional kits may be used to add more than two masters to a system. There is no master-to-master communication, and only one master may be used at a time. A power supply is required for each master.

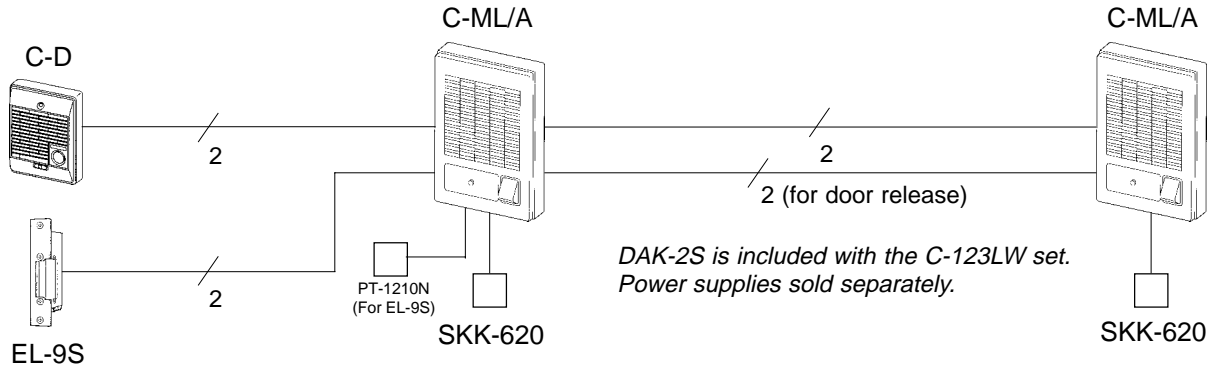
FEATURES:

- Compatible with 2-station systems
 - C-123L/A
 - C-123LW (add a third master)
(One DAK-2S is included in C-123LW set)
 - LEM-1, LEM-3 (1 per channel on LEM-3)
 - LEM-1DL
- Kit contains two component modules, one per master
- Small enough to fit inside master station

Component Modules



C-123LW SYSTEM LAYOUT EXAMPLE:



LEM-1DL SYSTEM LAYOUT EXAMPLE:

