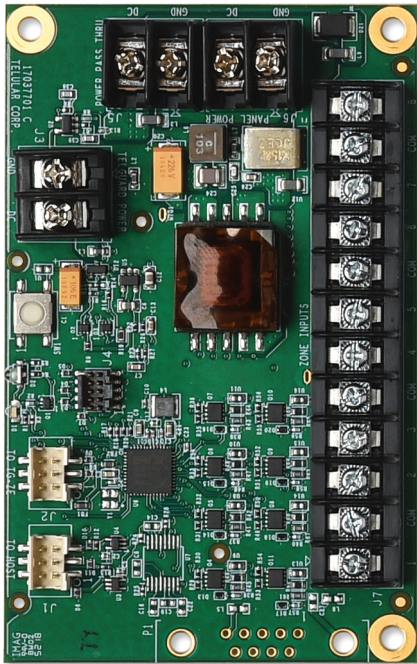




# TG-PEM

POWER & EXPANSION  
MODULE ACCESSORY  
FOR THE TG-7 SERIES



- 🔥 COMMERCIAL FIRE
- 🏢 COMMERCIAL INTRUSION

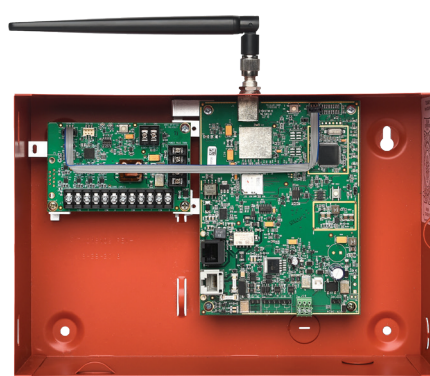
## PRODUCT FEATURES

- As a POWER MODULE, the TG-PEM lets you operate the TG-7FS from 24-volt panel power. No electrician or extra battery needed.
- As a ZONE EXPANDER, the TG-PEM lets you add 8 or 16 dry contact inputs to the TG-7. Configure each zone with easy-to-use online tools.

The TG-PEM brings together two of the most frequently requested features into one convenient accessory.

It's designed to help you get the most out of your Telguard LTE alarm communicator. The hardware needed to install it inside the metal enclosure of either the TG-7 or TG-7FS is included. All that's needed is a screwdriver.

Telguard products are UL- and ULC-Listed and meet the standards of NFPA 72. See the complete list of certifications on the reverse side.



## PUT THE TG-PEM TO USE BASED UPON THE NEEDS OF YOUR INSTALLATION

### Run the TG-7FS From Panel Power

The TG-PEM takes 24-volt power from the Fire Alarm Control Panel and steps it down to run the TG-7FS.

That means no need to hire an electrician to install an outlet. Your installations just got quicker, easier, and cheaper.

### Add Up To 16 Dry Contact Zones

The TG-PEM expands your intrusion system with 8 highly configurable zones - 16 zones when you use two TG-PEMs.

Configure your added zones easily in the dealer portal. You can even set up templates to streamline the process.

### Breathe Life Into Old Fire Panels

No DACT means no problem. Connect panel output relays to the TG-PEM to easily enable Central Station reporting.

To maintain UL 864 compliance for your system, connect only non-initiating devices to the TG-PEM.



# TG-PEM

POWER & EXPANSION  
MODULE ACCESSORY  
FOR THE TG-7 SERIES

## Box Contents

- TG-PEM accessory.
- Mounting bracket with 3 screws.
- Data cable.
- Quick Install Guide.

Complete TG-PEM Installation Manual is available for download at [Telguard.com](http://Telguard.com).

## Power Specifications

- Accepts panel input at 12 or 24 VDC and provides operating power to TG-7/7FS.
- **Power Consumption:**  
**12V DC Input**  
 Standby with no supervision - 78mA.  
 Standby with supervision - 82mA.  
 Maximum transmit current - 278mA.  
**24V DC Input**  
 Standby with no supervision - 43mA.  
 Standby with supervision - 46mA.  
 Maximum transmit current - 132mA.

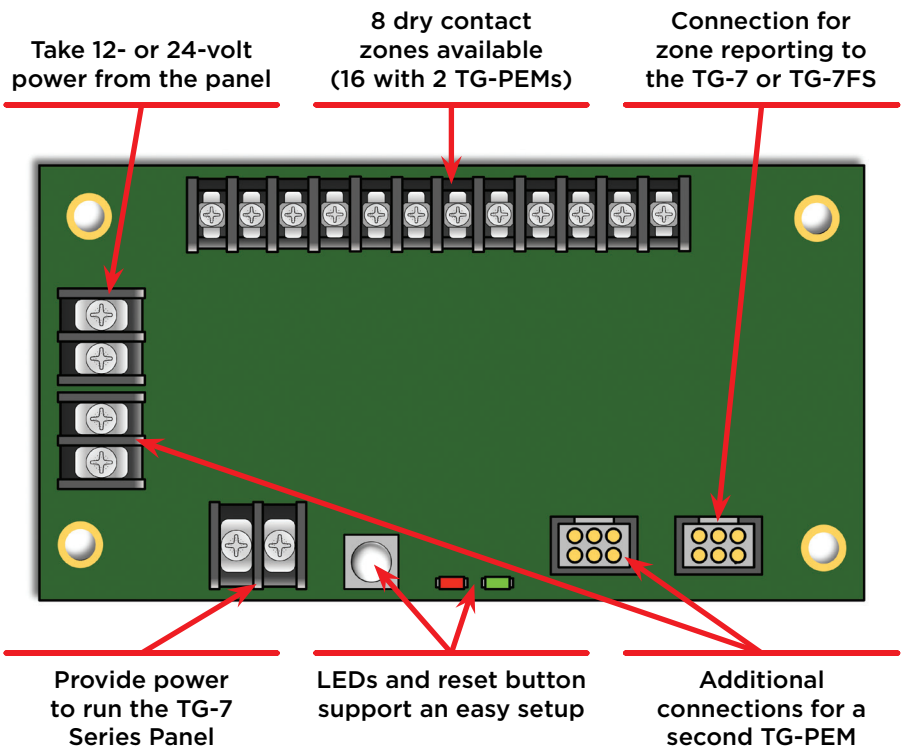
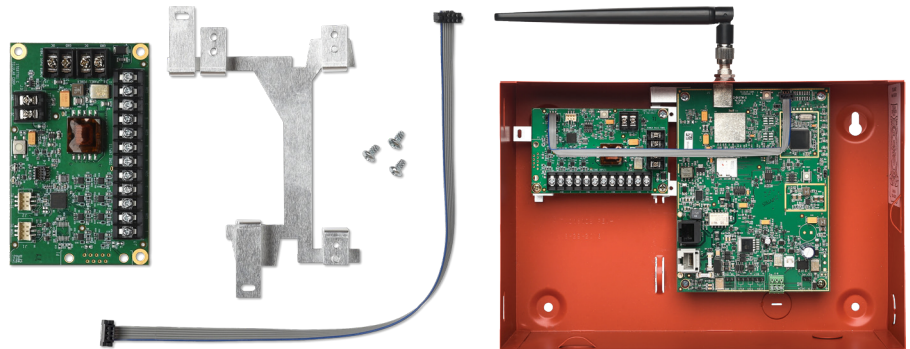
## Standard Features

### Zones

- 8 configurable as:
  - Normally open.
  - Normally closed.
  - Supervisory (uses 2.2 kΩ resistors, not included).
- 16 zones available when two TG-PEMs are used.

### LEDs

Two LED indicators provide status information to assist in installation and troubleshooting.



## UL Listings

### Commercial Fire

864 • Control units & accessories for fire alarm systems

### Commercial Burglary

1610 • Central station burglar alarm units; Line security services

\* For the most current product specifications and UL Listings visit [www.Telguard.com](http://www.Telguard.com).

## ULC Listings

### Fire & Security Alarms

S304 • Control units, accessories and receiving equipment for intrusion alarm systems  
 S559 • Equipment for fire signal receiving centers and systems

SECURITY  
SIGNALLING

