

DATASHEET

Mortise locks by SALTO

Access control requires a good, reliable door smart locking system. SALTO offers a wide range of mortise locks in order to ensure that the door is correctly locked. Whether you need ANSI mortise locks, Euro DIN locks for wooden doors or narrow profiles, Scandinavian locks, cylindrical cartridge latches or automatic locks with privacy and panic functions, SALTO has the locking system you need.

www.saltosystems.com

TECHNICAL SPECIFICATIONS: MORTISE LOCK - ANSI (LA1Tx5)

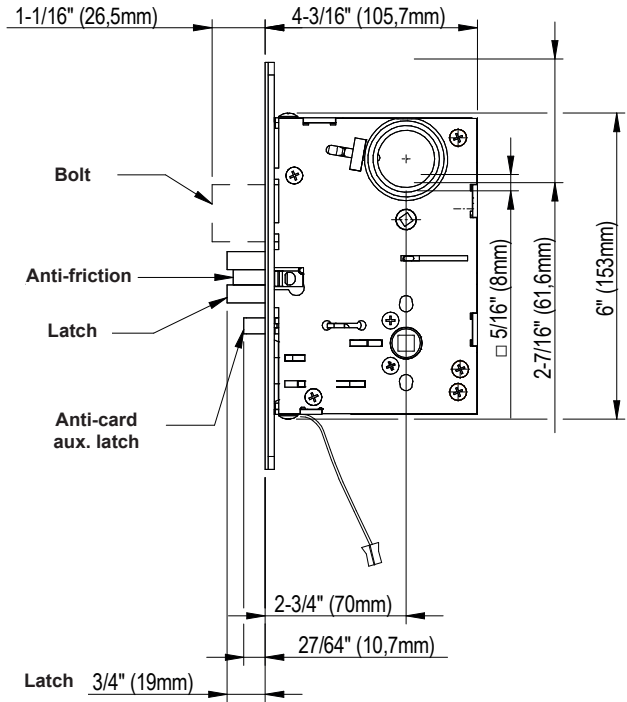
SALTO
inspired access



TECHNICAL DATA:

Model:	SALTO LA1T15
Mortise lock type:	Grade 1 ANSI mortise lock
Faceplate dimensions (H x W):	203mm (8") x 32mm (1-1/4") 203mm (8") x 27mm (1-1/16")
Faceplate shape	Squared
Handle rotation:	54°
Square spindles:	8mm (5/16")
Lock case material:	Stamped steel 3/32" zinc dichromate finish.
Latch material:	Stainless steel with antifriction latch 3/4" throw.
Deadbolt material:	Stainless steel full 1" throw.
Latch handing:	Reversible.
Function:	Panic function - lever retracts deadbolt and latch simultaneously
Auxiliary latch (anticard):	27/64" throw Effective deadlocking 3/8"
Built in detectors	Door detector
Mortise cylinder compatibility:	1-1/8"
Certifications:	UL listed 180min. ANSI/BHMA A 156.13 Grade 1 compliant for heavy commercial, institutional and industrial use

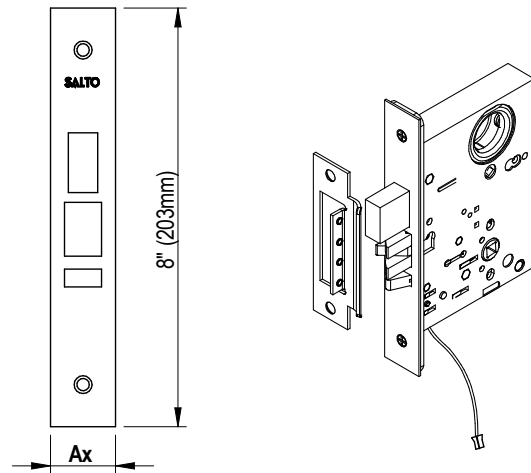
TECHNICAL DRAWING:



FINISHES:

Faceplate finish:

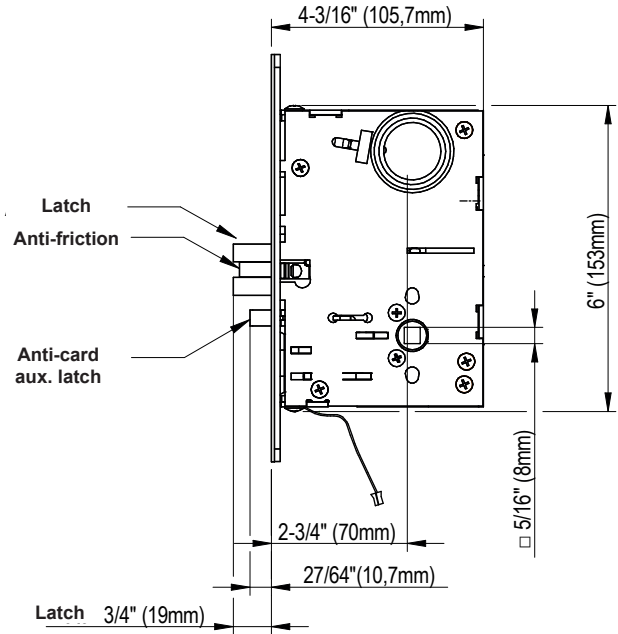
IM Satin stainless steel:	• BHMA 630 / US 32D
IP Bright stainless steel:	—
IA Antique brass:	—
PP PVD bright brass type:	—
PM PVD satin brass type:	• BHMA 730 / BHMA 731 / US4
NE Black chromium:	—
BC BioCote anti-microbial:	—



TECHNICAL DATA:

Model:	SALTO LA1T05
Mortise lock type:	Grade 1 ANSI mortise lock
Faceplate dimensions (H x W):	203mm (8") x 32mm (1-1/4") 203mm (8") x 27mm (1-1/16")
Faceplate shape	Squared
Handle rotation:	54°
Square spindles:	8mm (5/16")
Lock case material:	Stamped steel 3/32" zinc dichromate finish.
Latch material:	Stainless steel with antifriction latch 3/4" throw.
Deadbolt material:	No dead bolt
Latch handing:	Reversible.
Auxiliary latch (anticard):	27/64" throw Effective deadlocking 3/8"
Built in detectors	Door detector
Mortise cylinder compatibility:	1-1/8"
Certifications:	UL listed 180min. ANSI/BHMA A 156.13 Grade 1 compliant for heavy commercial, institutional and industrial use

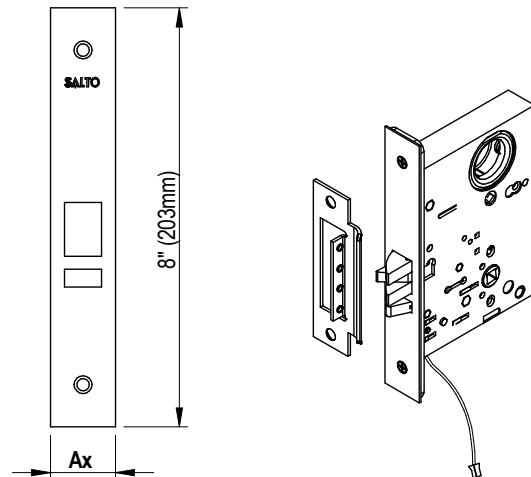
TECHNICAL DRAWING:



FINISHES:

Faceplate finish:

IM Satin stainless steel:	• BHMA 630 / US 32D
IP Bright stainless steel:	—
IA Antique brass:	—
PP PVD bright brass type:	—
PM PVD satin brass type:	• BHMA 730 / BHMA 731 / US4
NE Black chromium:	—
BC BioCote anti-microbial:	—



TECHNICAL DATA:

Model:	SALTO LA1T35
Mortise lock type:	AUTOMATIC deadbolt lock - ANSI Grade 1
Faceplate dimensions (H x W):	203mm (8") x 32mm (1-1/4") 203mm (8") x 27mm (1-1/16")
Faceplate shape	Squared
Handle rotation:	54°
Square spindles:	8mm (5/16")
Lock case material:	Stamped steel 3/32" zinc dichromate finish.
Latch material:	Stainless steel with antifriction latch 3/4" throw.
Deadbolt material:	Stainless steel 1" throw with anti-saw pins.
Latch handing:	Reversible.
Function:	Panic function - lever retracts deadbolt and latch simultaneously
Auxiliary latch (anticard):	27/64" throw Effective deadlocking 3/8"
Built in detectors	Door detector
Mortise cylinder compatibility:	1-1/8"
Certifications:	UL listed 180min. ANSI/BHMA A 156.13 Grade 1 compliant for heavy commercial, institutional and industrial use

FINISHES:

Faceplate finish:

IM Satin stainless steel:	• BHMA 630 / US 32D
IP Bright stainless steel:	—
IA Antique brass:	—
PP PVD bright brass type:	—
PM PVD satin brass type:	• BHMA 730 / BHMA 731 / US4
NE Black chromium:	—
BC BioCote anti-microbial:	—

TECHNICAL DRAWING:

