

## //DATASHEET

### **SALTO KS Escutcheon |** WIRELESS Electronic Escutcheons

SALTO KS is the new access control platform from SALTO enabling users to control and manage a greater range of applications than ever before. Smart, secure and innovative, SALTO KS electronic handle sets need no hard wiring and provide a trully wire-free networked electronic locking solution with a great range of features.

### **ANSI ESCUTCHEON** Ax6

**SALTO \ KS**  
Keys as a Service



# SALTO KS

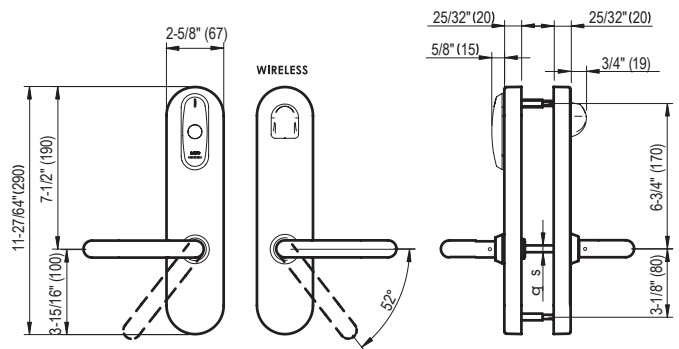
## WIRELESS ELECTRONIC LOCKS

### SALTO KS FOR ANSI MORTISE LOCKS

The SALTO KS-60 wide body version doorlock for ANSI mortise locks is specially designed to be compatible with most ANSI mortise locks and tubular latches. It is designed for use on busy, high-traffic doors that need additional strength.

## SALTO KS A60: WIDE BODY VERSION

### A60 XS4 WIDE BODY VERSION



### MAIN FEATURES:

- Clutch mechanism escutcheon when unlocked handle moves free.
- SALTO KS wireless version for wireless real-time control.
- Door status detector to monitor intrusions or door left open status.
- Body and escutcheon made of steel.
- Dimensions: 290mm x 67mm x 20mm.
- Handle rotation: 52°.
- Door thickness compatibility: 32mm to 120mm.
- Distance from the handle to the cylinder: 61mm, 62mm and 63mm.
- Compatible with ANSI mortise locks and tubular latches.
- Square spindles available: 8mm, diamond.
- Mechanical override available.
- ANSI/BHMA A156.25 Grade 1 compliant for heavy commercial, institutional and industrial use.
- Mechanical override available.
- Emergency opening: SALTO KS Emergency Power Supply device.
- IP55 compliant (external escutcheon).
- Fire resistant UL listed (180 min steel doors, 90 min wooden doors).

### MECHANICAL FEATURES:

Dimensions: 290mm x 67mm x 20mm.  
 Weight: 1.5kg.  
 Handle turning handle: 52°.  
 Door thickness compatible: 30mm to 115mm.  
 Distance from the handle to the cylinder: 61mm, 62mm or 63mm.  
 Handle clutch mechanism.  
 Inside always allows free egress (anti panic in combination with lock).  
 Concealed fixing screws for greater security and improved aesthetics.  
 Body and escutcheon made of steel.  
 Handle fixed by Steady Fix system (patented).  
 Handles compatible: 16mm Ø, 18mm Ø.  
 High security through advanced hardened high resistance anti-drill plates to protect wires and reader area and additional extreme protection through hardened axes and floating steel balls in the handle area.

### MORTISE LOCK & CYLINDER COMPATIBILITY:

- ANSI Mortise locks.
- Some tubular latches.

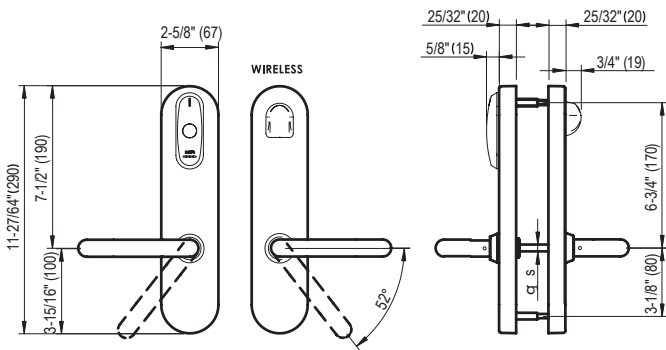
### SQUARED SPINDLES COMPATIBILITY:

7mm, 8mm.  
 7 mm split, 8mm split.

## SALTO KS A60: MODELS AVAILABLE

### MODEL 50:

2 handles any type.

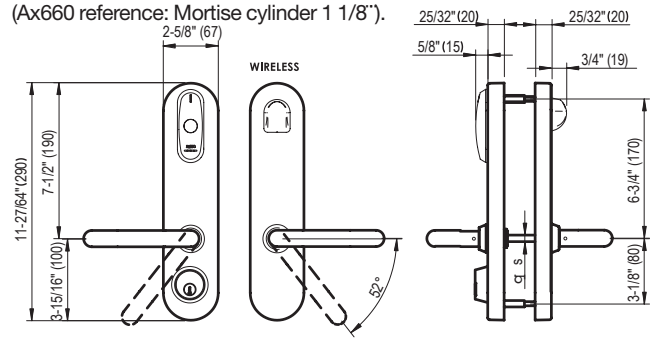


### MODEL 60:

2 handles any type.

- Built in mechanical override with audit.

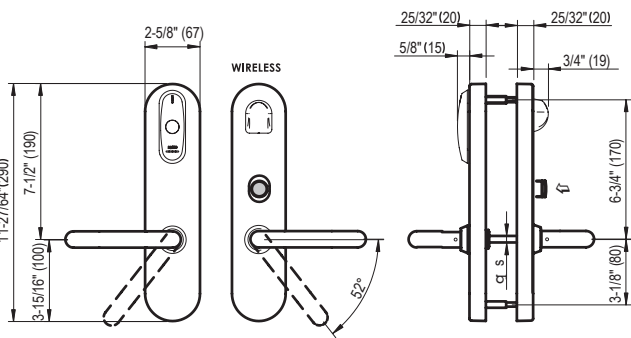
(Ax660 reference: Mortise cylinder 1 1/8").



### MODEL 56:

2 handles any type.

Electronic "do not disturb" system (Not available in self-programmable).

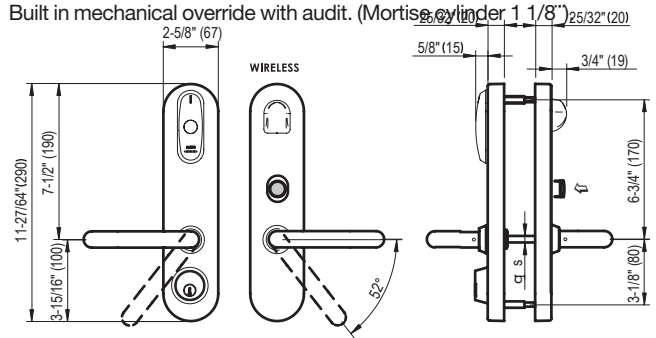


### MODEL 66:

2 handles any type.

Electronic "do not disturb" system (Not available in self-programmable).

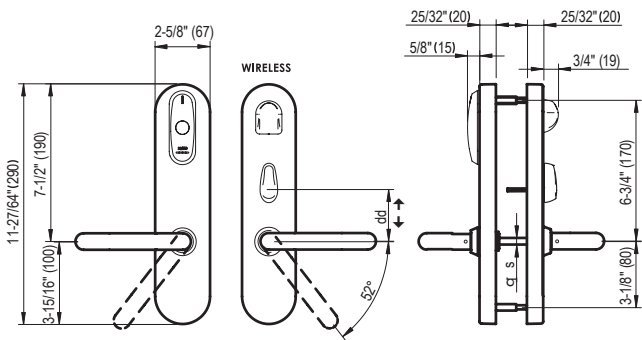
- Built in mechanical override with audit. (Mortise cylinder 1 1/8")



### MODEL 58

2 handles any type.

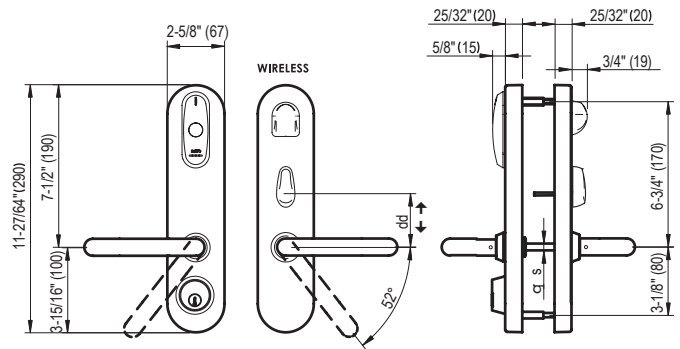
- Inside thumbturn.



### MODEL 68

2 handles any type.

- Inside thumbturn.
- Built in mechanical override with audit. (Mortise cylinder 1 1/8").



## AVAILABLE LOCK MODES:

- STANDARD: locked at all times.
- OPEN AND OFFICE MODE.
- END OF OFFICE MODE.

## ACCESS CONTROL FEATURES:

	SALTO KS System
Maximum number of users per door	unlimited
Maximum number of doors per system	unlimited
Maximum events on lock audit	unlimited
Maximum number of Masterkey Users	39
Maximum number of APP Users per IQ	100
User groups	unlimited
Time Zones	unlimited

## ID TECHNOLOGIES:

- DESFIRE EV1.

## KEYS AVAILABLE: TAGS



Blue



White



Red



Lime Green



Grey

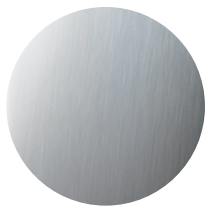
## KEY BENEFITS INCLUDE:

- Tags meet ISO Standards.
- Battery free carriers.
- 1 Tag, 5 colors
- Waterproof.
- 13,56 Mhz.
- 1 Tag for multiple SALTO KS systems.
- Secure, copyproof data carrier for high security.
- Strong, ergonomic design for long life.
- High resistance to variations in weather conditions.
- Comfortable to use - can be carried on a key ring alongside "traditional keys".

FINISHES:



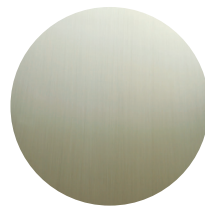
Satin  
Stainless Steel  
**IM**



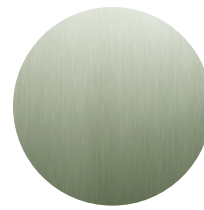
Polished  
Stainless Steel  
**IP**



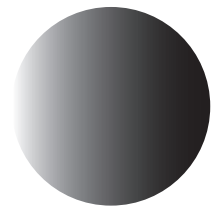
Satin  
Brass  
**PM**



Polished  
Brass  
**PP**



BioCote®  
Antimicrobial  
**BCB**



Black Satin  
Chromium  
**NE**

TECHNICAL DATA:

**CURRENT REQUIRED:**

- 3 alkaline LR6 AA 1,5V. batteries optional FR6 - AA1,5V. lithium batteries
- Number of openings:
  - Contactless versions: Up to 56.000 openings or 3 years on standby.

**ENVIRONMENTAL CONDITIONS:**

- -20° / 60°.

**CERTIFICATIONS:**

- Declaration of Comity CE
- Use of radio frequency spectrum**
  - ETSI EN 302 291-1 V1.1.1 (2005-07)
  - ETSI EN 302 291-2 V1.1.1 (2005-07)
  - ETSI EN 300 328 V1.7.1 (2006-10)
- Electromagnetic Compatibility**
  - ETSI EN 301 489-1 (2011-09)
  - ETSI EN 301 489-3 (2002-08)
- Security requirements**
  - EN 60950-1 (2007)
  - Following the provisions of the directive
- Mechanical certifications against vandalisme & fire**
  - UL Listed, UL10C fire resistant\*.

**IP CERTIFICATIONS:** Outdoor Protection Standard

- IP56\* MODEL (XS4 standard model)

SOLID PARTICLE RESISTANT	LIQUID INGRESS RESISTANT
Quantity of dust ingress is not sufficient to interfere normal operation.	Water projected in powerful jets (12.5mm nozzle) against the enclosure from any direction at least 3 minutes, 100 litres per minute, 100 kN/m <sup>2</sup> at distance of 3m, shall have no harmful effects.

SALTOKS.COM & SALTO KS APP: FEATURES

No software installation, scaling on any device, secured login, intuitive design, anything you may expect from today's cloud solution is in saltoks.com. Manage locks, people, messages and access rights with no hassle.

**The Dashboard:** saltoks.com always gives you up-to-date information and remote management of all SALTO KS components through the dashboard (door status, last entries, events and so on).

- **Access rights:** saltoks.com gives you the opportunity to individually determine who enters when and where. And if you want to change that just log-in, make your changes and it's done. No updating of SALTO KS Tag or SALTO KS Doorlock required.
- **Messaging:** saltoks.com always gives you up-to-date information and remote management of all SALTO KS components through the dashboard.

- **Security:** SALTO KS understands the importance of security. That's why we have incorporated state-of-the-art security measures in all our components and more important, we will keep updating that permanently. Not always visible but always there.
- **Remote opening:** One of the cool but really functional features of SALTO KS is the remote opening of doors with secure OneTimePassword technology. You may not use it every day but when you need it, you will be happy it's there.
- **Any device, any platform:** saltoks.com has been developed supporting all the latest browsers, devices and operating systems. From iOS to Windows and from laptop to Ipad.
- **SALTO KS App:** Available for IOS and Android Phones the SALTO KS App enables you to manage your SALTO KS system when you are on the go.

SALTO Systems reserves the right to modify technical specifications, designs and performance without notice. © SALTO SYSTEMS 2016