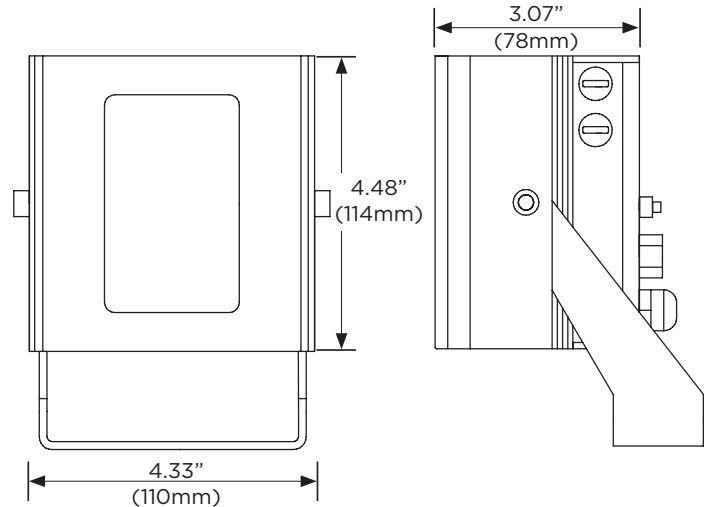




Dimensions

unit: Inch (mm)



Summary

The DW-ILWLIPM is an NDAA/TAA compliant IP-enabled white light LED outdoor illuminator. The illuminator incorporates the latest surface mount Dual-Core™ LEDs, combined with enhanced optical output and outstanding reliability to provide users with smart lighting solutions for a wide range of applications. The DW-ILWLIPM lighting includes an interchangeable lens pack to deliver a variety of angles out of the box providing users the flexibility to create different elliptical beam profiles. Using PoE and IP communication, the NightWatch™ illuminators support direct integration with DW Spectrum® IPVMS.

Features

- White light LED illuminators
- Interchangeable lens pack to deliver a variety of angles out of the box
- Create different elliptical beam profiles
- Coverage distance up to 374' (115m). See table on page 2.
- Configure lights to switch on when motion is detected
- Activate white light to deter intruders
- Adjustable photocell and illumination levels
- Visible spectrum wavelength (400- 750nm)
- Web interface built-in
- High-power Dual-Core™ LEDs, with advanced, current limited, integral control circuitry
- NDAA/TAA compliant
- IP66 environmental-rated dust-tight and water-resistant
- IK 09-rated impact-resistant

Specifications

Construction	Robust high-quality aluminum extrusion
Photocell	Adjustable 20 - 70 lux
Illumination	Adjustable 10% - 100%
Operating temperature	-58°F to 122°F (-50°C to 50°C)
Mount	Powder coated stainless steel wall mount
Input	PoE+ (IEEE802.3at)
Consumption	26W
IP rating	IP66 environmental-rated dust-tight and water-resistant in accordance with EN60529;1992
Electronics	High efficiency surface mount high power Dual-Core™ LEDs with advanced, current limited, integral control circuitry.
Lumen output	2400 lm
Color temperature	5700K (6000K and 6500K options available to order)
Color rendering index (CRI)	Typically 80
Recommended PSU	Any IEEE 802.3at injector (not included)
Remote access	Web browser user interface. No software or installation needed.
Warranty	2 year warranty

Accessories (optional)



DW-ILWM1
Mounting bracket for a single (1) illuminator



DW-ILWM3
Mounting bracket for a three (3) illuminators



DW-ILWM2
Mounting bracket for a two (2) illuminators



DW-ILPM1
Pole mount bracket for a single (1) illuminator

(see second page for coverage details).

Product Code	Angle	Distance		FOV	
DW-ILWLIPM	10° - Circular	114m	374'	20m	65'
	20° - Elliptical	76m	249'	27m	88'
	30° - Elliptical	67m	218'	36m	117'
	60° - Elliptical	48m	156'	55m	180'
	80° - Elliptical	38m	125'	64m	209'
	95° - Elliptical	29m	94'	62m	204'