

# L-PJM10A

## ALUMINIUM UNIDIRECTIONAL PROJECTION LOUDSPEAKER

- Intelligible voice and superior sound reproduction
- Ceiling or wall mount installation
- Meets virtually any indoor and outdoor requirement
- IP65 standard complied
- International safety laws complied



### PRODUCT DESCRIPTION

L-PJM10A is a high-performance 10W public address unidirectional projection loudspeaker. It provides a broad frequency response range, low distortion and high sound pressure level for accurate and intelligible broadcast of evacuation messages and high quality sound reproduction. It can be used in indoor, outdoor, dry, or wet applications, providing reliable operations over wide temperature and humidity ranges. Its low exhibitions. profile, white color design blends easily with most interiors in locations such as hotels, conference rooms, cinemas, theme parks, factories

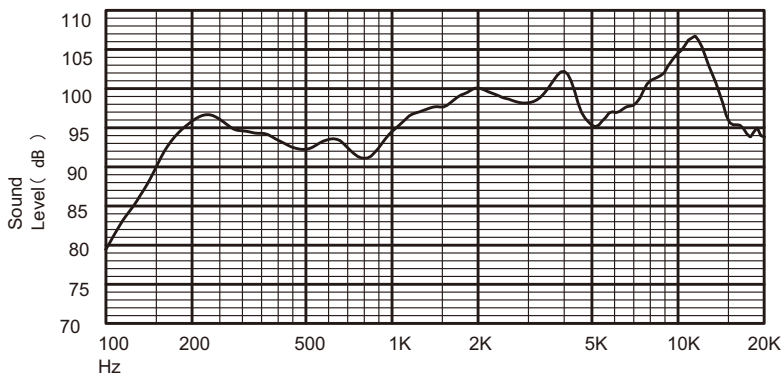
and In case of a fire emergency, its aluminum enclosure and high-temperature ceramic wiring connector protect the speaker's internal components from the increased heat often present in fire conditions, extending its ability to remain operational and broadcast important information during a fire emergency. In addition, the loudspeaker's front cover and bracket are also made of aluminum, making them durable and corrosion proof. The loudspeaker is also supplied with a temperature fuse that protects it from overheating due to improper loading.

#### Technical Specification

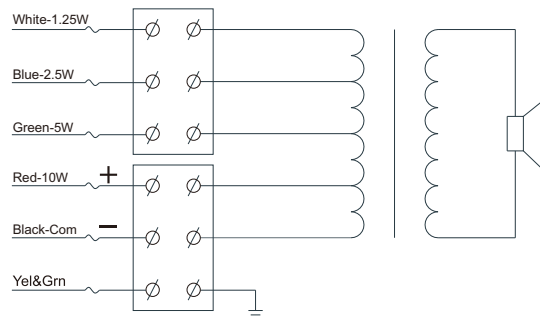
Max power	20W
Rated power	10W
Power taps @ 100V	10W / 5W / 2.5W / 1.25W
SPL at 10W / 1W (170Hz-20kHz, 1m)	98 dB / 89 dB
Frequency response(-10dB)	150 Hz -20 KHz
Dispersion angle 1k Hz / -6 dB)	180°
Rated input voltage	100V / 70V

Rated impedance	1 KΩ/ 2KΩ/ 4 KΩ/ 8 KΩ
Connector	Fire-resistant cable
Dimensions	Φ140 × 195 mm
Weight	2.62 Kg
Color	White( RAL9003)
Speaker size	5.25"
Operating temperature	-25 °C to +55 °C
Storage temperature	-40 °C to +70 °C
Relative humidity	< 95 %

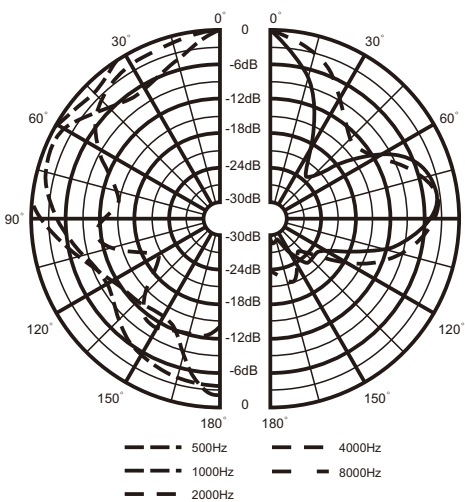
## Frequency Response



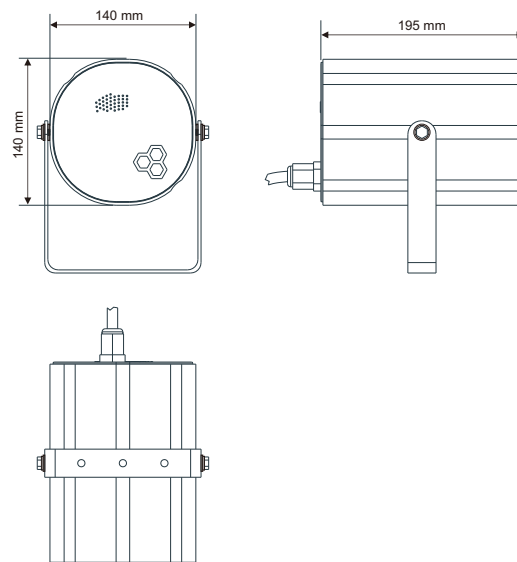
## Circuit Diagram



## Polar Diagram



## Three-View Diagram



### For more information,

<https://honeywellbuildings.in>

Call: 1-800-103-0339

Email: HBT-Indiabuildings@honeywell.com

### Honeywell HBT India Buildings

Unitech Trade Center, 5th Floor, Sector-43,  
Block C, Sushant Lok Phase - I,  
Gurgaon - 122 002

[www.honeywell.com](http://www.honeywell.com)

© 2020 Honeywell International Inc.

**L-PJM10A**  
**ALUMINIUM**  
**UNIDIRECTIONAL**  
**PROJECTION**  
**LOUDSPEAKER**

**Honeywell**