

**SONY**<sup>®</sup>



Digital Wireless Microphone System

**DWT-B01**  
**DWR-S01D**  
**DWA-01D**

[www.sony.com/ProAudio](http://www.sony.com/ProAudio)

# Sony Digital Wireless Microphone System – a Breakthrough for a New Level of Sound Quality and Operational Convenience

Since their first introduction in 1974, Sony has been continuously developing a rich range of wireless microphone systems to offer superb audio performance, highly stable transmission, and flexible simultaneous multi-channel operation. Nowadays, it can be clearly seen that the industry is migrating from standard definition (SD) to high definition (HD) for video production, as well as from analog to digital for sound production. This trend naturally boosts the need for higher-quality digital technology in wireless microphone systems.

With the introduction of a new fully digital wireless microphone system, Sony has made a breakthrough in the history of wireless microphone technology. Comprised of the DWT-B01 bodypack transmitter, DWR-S01D slot-in type two-channel receiver, and DWA-01D adapter, the system provides excellent-quality digital wireless audio transmission, large-scale, multi-channel operation, and enhanced system flexibility – a perfect match for high-quality ENG/EFP applications.\*<sup>1</sup> Transmission of excellent-quality 24-bit/48-kHz sampling digital audio signals is realized on the DWT-B01 transmitter. The audio codec used in the system was developed specifically for wireless audio transmission, enabling the low-latency, secure, and reliable operation that is mandatory for quality-critical applications. In addition, the system allows for an increase of up to 50%\*<sup>2</sup> in the number of simultaneous digital wireless systems in use compared to conventional analog wireless systems, which gives users enhanced system flexibility. Furthermore, the system offers a metadata-handling capability that provides highly innovative full-wireless remote operations between the transmitter and receiver, dramatically improving operational efficiency.

With its excellent audio quality, system flexibility, and operational efficiency, the Sony digital wireless microphone system opens up a whole new world of professional audio applications.



\*<sup>1</sup> The digital wireless microphone system is not available in some countries.

\*<sup>2</sup> When operating on a 6-MHz bandwidth TV channel in the USA.

# System Features

## Superb Quality Wireless Transmission

The digital wireless microphone system transmits high-quality 24-bit/48-kHz sampling digital audio signals in a specific frequency bandwidth that meets the wireless-communication regulations of each country. Utilizing an original Sony codec, based on Sony's many years of experience in engineering audio products, the system delivers a wide dynamic range of more than 106 dB, a wide frequency response of 20 Hz to 20 kHz, and an excellent system latency of 3.6 ms.

## Simultaneous Multi-channel Operation

The digital wireless microphone system allows for large-scale multi-channel operations. Thanks to the newly developed digital modulator, the system realizes an intermodulation-free, equally spaced channel allocation. The digital wireless transmission technology used in this system enables a significant increase in the number of simultaneous digital wireless systems in comparison with current analog wireless systems. For example, up to 12 channels of simultaneous operation is possible on a 6-MHz bandwidth TV channel in the USA. This system also provides the option of using existing WL-800 series channel plans. In this configuration, the digital wireless system reliably operates along with WL-800 series analog wireless systems, without concern for having analog and digital wireless systems interfering with each other.

## Stable and Secure Transmission

Incorporating a newly developed digital modulator, the digital wireless microphone system allows highly stable and secure wireless transmission that is extremely tolerant to interference waves. The system transmits digitally modulated and encrypted data to minimize the risk of interception, providing highly secure transmission. For secure and confidential communication, the system provides two communication modes: peer-to-peer mode and password mode. In peer-to-peer mode, wireless communication between a DWT-B01 transmitter and DWR-S01D receiver can be established by exchanging an encryption key that is generated by the transmitter. In password mode, multiple transmitters and receivers can be configured by setting all devices with the same user-designated password. In addition, this mode supports broadcast communication, which enables multiple receivers to receive audio signals from one transmitter.

## Pre-programmed Frequency Groups

To make it easy to choose the correct frequencies for simultaneous multi-channel operation, the optimum intermodulation-free frequencies are stored on each DWR-S01D receiver. These frequencies – all of which have been calculated and tested – are arranged in groups, with each group pre-programmed to allow interference-free operation. The digital wireless microphone system operates within the following frequency ranges:

Frequency range

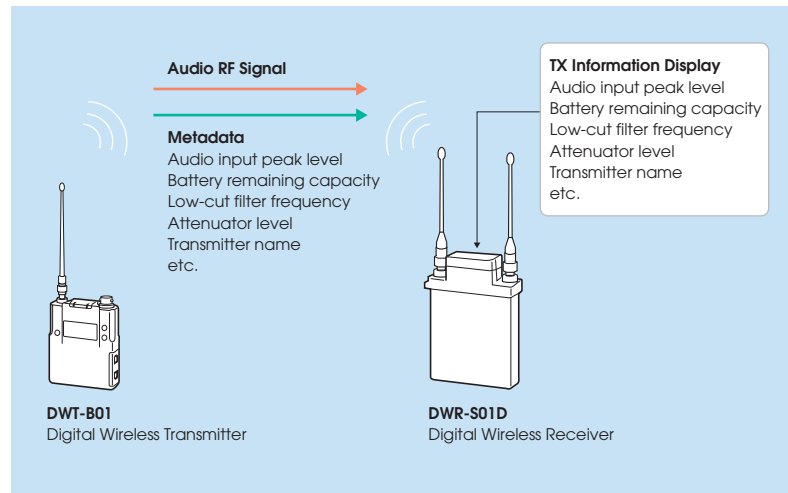
U models	DWT-B01 transmitter	U3040	566 to 607 MHz (TV 30 to 36 channels) 615 to 638 MHz (TV 38 to 41 channels)
		U4250	638 to 698 MHz (TV 42 to 51 channels)
	DWR-S01D receiver*	U3032	566 to 590 MHz (TV 30 to 33 channels)
		U4244	638 to 662 MHz (TV 42 to 45 channels)
CE models	DWT-B01 transmitter	CE6267	798 to 822 MHz (TV 62 to 64 channels) 838 to 862 MHz (TV 67 to 69 channels)
	DWR-S01D receiver	CE62	798 to 822 MHz (TV 62 to 64 channels)
		CE67	838 to 862 MHz (TV 67 to 69 channels)

\* The DWR-S01D receiver supports a 24-MHz band RF carrier frequency range. When using the DWR-S01D receiver in either the 590.125 to 607.875 MHz (TV 34 to 36 channels), 614.125 to 637.875 MHz (TV 38 to 41 channels) or 662.125 to 697.875 MHz (TV 46 to 51 channels) frequency range, please contact your nearest Sony office or authorized dealer.

# System Features

## Metadata Transmission

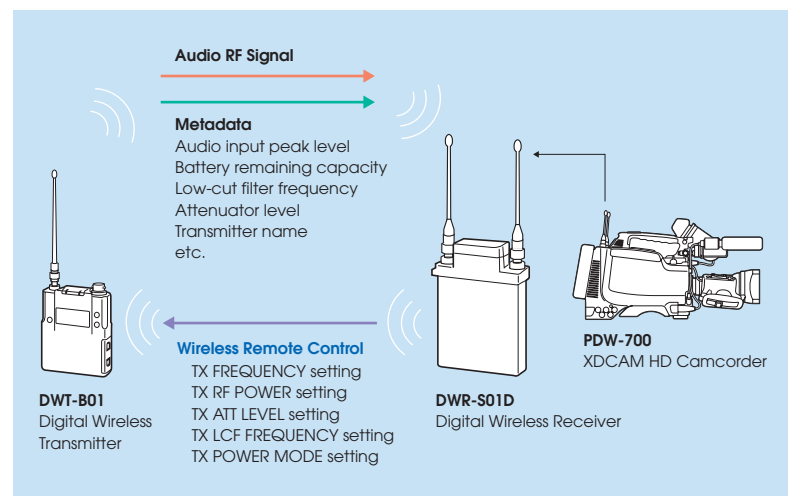
In addition to audio signals, a variety of information about the DWT-B01 transmitter – such as audio input peak level, battery remaining capacity, low-cut filter frequency, and attenuator level – can be wirelessly transmitted to the DWR-S01D receiver as metadata. This allows users to monitor the status of the transmitter from the DWR-S01D receiver, offering high operational convenience.



## Innovative Wireless Remote Control

Wireless remote control capability of the Sony digital wireless microphone system is one of the most distinctive features that digital transmission technology has made possible. A variety of DWT-B01 transmitter settings – such as power on/sleep, attenuator level, low-cut filter frequency, and RF power output level – can be wirelessly controlled from the DWR-S01D receiver. This is highly convenient because setting changes can be made very easily even after the transmitters are attached to an actor or reporter.

Furthermore, when the DWR-S01 receiver is used with the PDW-700 XDCAM® HD camcorder, users can monitor the status of the digital wireless microphone system through the camcorder's viewfinder. They can also wirelessly control the settings of the DWT-B01 transmitter via the camcorder menu. This wireless control makes use of 2.4-GHz IEEE802.15.4 communication technology, which is commonly available worldwide. Communicating via this wireless technology in no way affects the audio RF signals of either the digital or analog wireless microphone systems. In addition, it is ideal for large-scale multi-channel system management, and is effective for low power consumption.





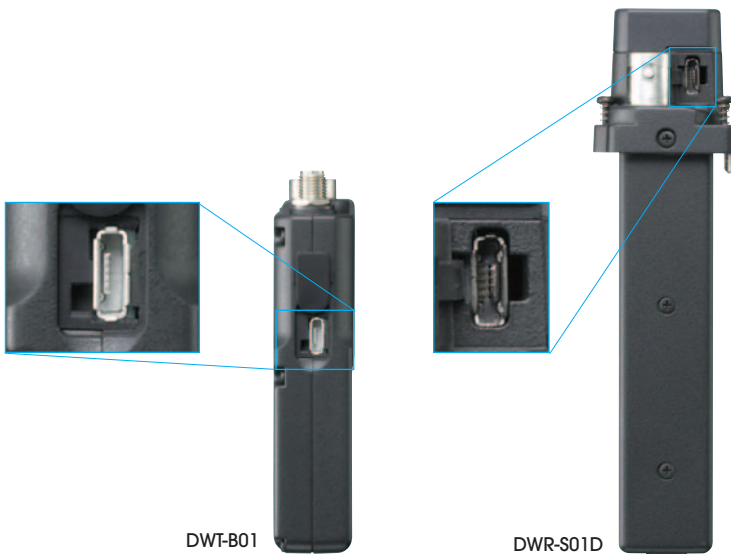
DWT-B01



DWR-S01D

## Easy-to-see, Full Dot-matrix OLED (Organic Light-Emitting Diode) Display

The DWT-B01 transmitter and DWR-S01D receiver come equipped with an easy-to-see OLED display, providing a variety of information such as operating channel/frequency, AF input level, RF output level, and battery status. The quick response of the OLED display enables real-time operating conditions, such as the audio level meter, to be displayed clearly and accurately. In addition, the OLED provides a high level of visibility even in low-temperature or low-light environments.



DWT-B01

DWR-S01D

## USB Interface

The DWT-B01 transmitter and DWR-S01D receiver come equipped with a USB interface. This is used to connect a USB keyboard, from which users can easily change a variety of settings. In addition, by connecting the transmitter and receiver directly to each other via the supplied USB cable, the encryption keys required for confidential peer-to-peer communication can be exchanged manually or automatically.

# DWT-B01 Digital Wireless Transmitter

## Wide RF Carrier Frequency Range

The DWT-B01 transmitter covers an extremely wide RF carrier frequency range. The U3040 and U4250 models can cover a 66-MHz\*<sup>1</sup> band and 60-MHz\*<sup>1</sup> band respectively – much wider than 24-MHz of the analog wireless microphone system, while the CE6267 model can cover a 48-MHz band\*<sup>2</sup>. This remarkably wide coverage on a single model offers cost efficiency and operational convenience, because it allows one transmitter to be operated in many different areas.

\*<sup>1</sup> The DWR-S01D receiver supports a 24-MHz band RF carrier frequency range. When using the DWR-S01D receiver in either the 590.125 to 607.875 MHz (TV 34 to 36 channels), 614.125 to 637.875 MHz (TV 38 to 41 channels) or 662.125 to 697.875 MHz (TV 46 to 51 channels) frequency range, please contact your nearest Sony office or authorized dealer.

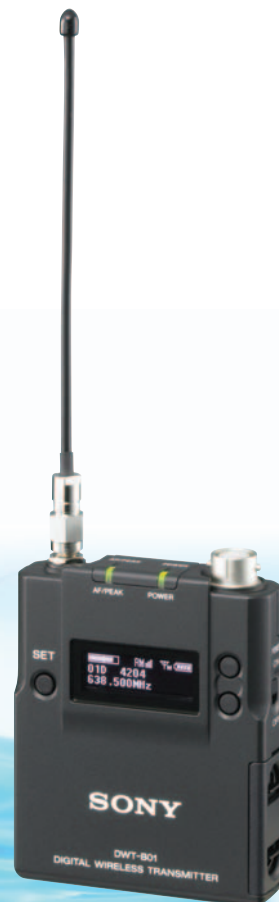
\*<sup>2</sup> 798 to 822 MHz (TV 62 to 64 channels) and 838 to 862 MHz (TV 67 to 69 channels).

## Compact, Lightweight, and Rugged Design

The DWT-B01 transmitter is designed to be extremely compact and lightweight, essential qualities for use by artists in fast-moving TV and outdoor productions. It measures 63 x 73 x 17 mm (2 1/2 x 2 7/8 x 11/16 inches) and weighs just 125 g (4 oz) including the battery. In addition, its robust die-cast magnesium body allows the DWT-B01 transmitter to withstand even harsh operational environments.

## Switchable Mic or Line Input Level and Adjustable Attenuator

The audio input level of the DWT-B01 transmitter is selectable from either MIC or LINE. When MIC is selected, the attenuator can be adjusted in 3-dB steps from 0 dB to 48 dB. The reference input level of the MIC and LINE is -58 dBu (-60 dBV) and +4 dBu, respectively.



## Selectable RF Output Power (1/10/50 mW)

The DWT-01B transmitter provides a choice of RF output powers. The 1 and 10 mW output is suitable for multi-channel operations such as theater and studio productions, while the 50 mW output is intended for long-distance transmissions such as sports and news coverage.

## Power Sleep Mode

The DWT-B01 transmitter is equipped with a power sleep/wake up mode that can be wirelessly controlled from the DWR-S01D receiver. Wherever the transmitter is attached – for example, inside an actor’s costume – the operator can remotely control the transmitter’s power on and sleep settings, increasing operational convenience and battery savings.

## Digital Low-cut Filter

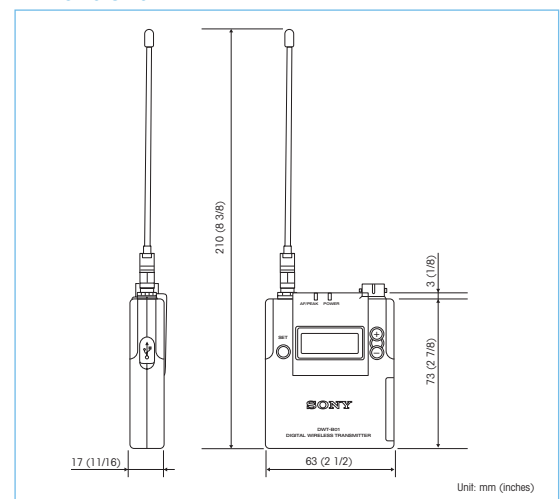
Equipped with a digital low-cut filter, the DWT-B01 transmitter can reduce the effects of undesired ambient noise.

## Accommodates Various Types of Battery

The DWT-B01 transmitter can be operated with either alkaline, lithium, or nickel-metal hydride batteries. The transmitter will operate continuously for approximately four\* hours when using two Sony AA-size alkaline batteries at 25 °C (77 °F) and 10 mW output power.

\*The operating time may vary depending on the operational environment.

## Dimensions



# DWR-S01D Digital Wireless Receiver

## Industry-first Two-channel Slot-in Wireless Receiver

The DWR-S01D is an industry-first two-channel digital wireless receiver that offers an ideal solution for high-quality ENG and EFP applications. Despite its dual-channel receiver capability, the DWR-S01D receiver is small enough to be mounted directly in the slot of the Sony PDW-700 XDCAM HD camcorder, maintaining the well-balanced design and compactness of the camcorder. Through the direct mount, high-quality digital audio transmitted from a DWT-B01 transmitter can be recorded directly to the camcorder via a D-sub 15-pin interface without the need for any signal conversions.



PDW-700  
XDCAM HD Camcorder

## Rear Mounting to Camcorders

In addition to the slot-in capability for the PDW-700 XDCAM HD camcorder, the DWR-S01D receiver can be rear-mounted to a range of Sony professional camcorders – such as the HDCAM™, XDCAM, XDCAM HD, Digital Betacam®, and MPEG IMX® series camcorders – using the DWA-01D adapter. When used with a camcorder that has AES/EBU inputs, full-digital audio recording is also possible.



Sony Professional Camcorder  
with Wireless Receiver Slot



## Compact, Lightweight, and Rugged Design

Despite having a number of stunning functionalities, such as its dual-channel receiver capability, the DWR-S01D is still highly compact and lightweight – just like the existing analog, one-channel wireless receiver WRR-855S/855A/855B. It measures only 88 x 117.8 x 31.3 mm (3 1/2 x 4 5/8 x 1 1/4 inches) and weighs just 280g (9 oz), maintaining a good balance even when mounted on a camcorder. In addition, the DWR-S01D is made of magnesium die-cast and aluminum, making it extremely rugged and suitable for the harsh environments of even the most demanding ENG applications.

## Auto Channel Scanning Functions

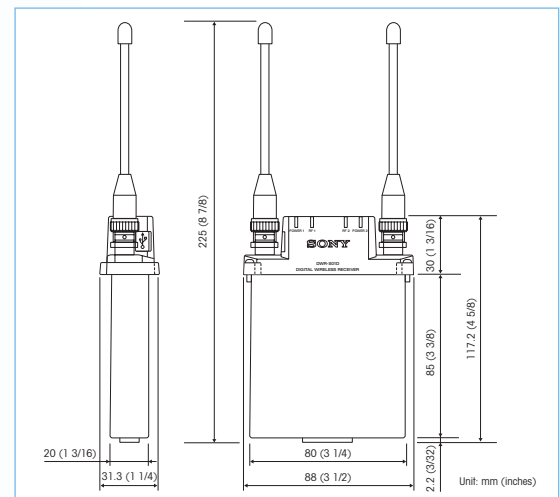
The DWR-S01D receiver comes with two auto channel scanning functions that allow for fast, easy, and safe frequency channel changes. Clear Scan mode automatically seeks unoccupied channels, from which operators can select the most appropriate channel to use. While Active Channel mode searches for channels that are currently in use, allowing operators to check whether the channel is used by a transmitter in the same operational group or by other equipment that may interfere with the digital wireless transmission signal.

## Wireless Remote Control

The wireless remote control is an extremely efficient feature that enables the DWR-S01D receiver to control various settings of the DWT-B01 transmitter such as power on/sleep, attenuator level, low-cut filter frequency, and RF power output level.



### Dimensions



# DWA-01D Digital Wireless Adapter

## Camcorder Rear-mount Operation\*1

The DWA-01D adapter allows the DWR-S01D receiver to be rear-mounted on a range of Sony professional camcorders, such as HDCAM, XDCAM, XDCAM HD, Digital Betacam, and MPEG IMX camcorders. In addition, the DWA-01D adapter can be used with the current analog wireless receiver WRR-855S/855A/855B.\*2

\*1 Requires an optional mount bracket (A-8278-057B).

\*2 Output from the DWA-01D and WRR-855S/855A/855B is one-channel analog audio signal only.



DWA-01D Supplied Accessories



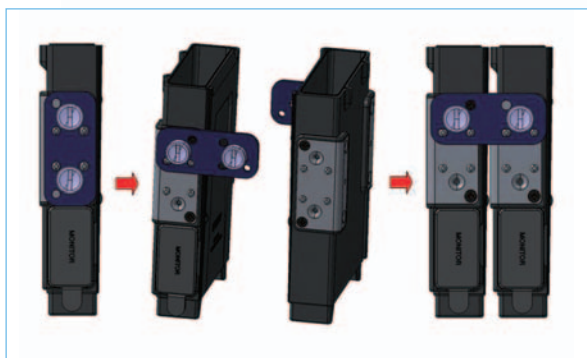
## Stand-alone Wireless Receiver Operation

In addition to the camcorder mount operation, the DWR-S01D receiver with DWA-01D adapter can also work as a stand-alone wireless receiver.\* This, in combination with a digital audio mixer such as the Sony DMX-P01, allows users to establish a compact, handy, and digital wireless microphone system.

\* Requires DC power supply from a connected unit via a 4-pin connector.

## Unique Joint Mechanism

The DWA-01D adapter is equipped with a joint bracket that allows two DWA-01D adapters to be easily combined. This is particularly convenient for when two pairs of the DWR-S01D receiver and DWA-01D adapter are used at the same time as a stand-alone four-channel receiver system.



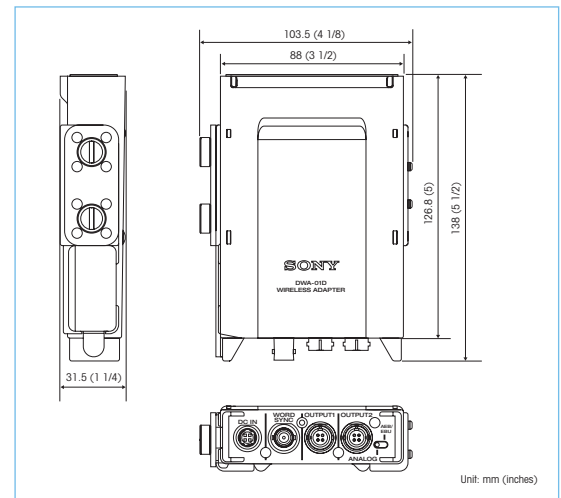


## Wide Array of Interfaces

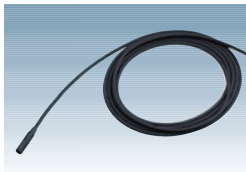
The DWA-01D adapter comes equipped with a wide range of interfaces optimized for diverse operational needs:

- SMC9-4S (Sony 4-pin) (x 2): Outputs either AES/EBU or analog audio signals.
- Word Sync input: Allows the digital wireless microphone system to synchronize with an external word sync signal.
- Stereo headphone output: Offers easy monitoring of the output sound (switchable among Tuner 1/Tuner 2/Mixed).

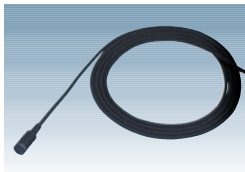
## Dimensions



## Optional Accessories



**ECM-88BC**  
Lavalier Microphone



**ECM-77BC**  
Lavalier Microphone



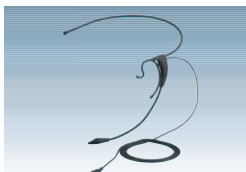
**ECM-66BC**  
Lavalier Microphone



**ECM-44BC**  
Lavalier Microphone



**ECM-166BC**  
Lavalier Microphone



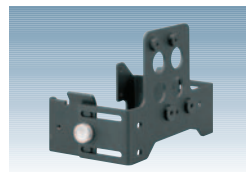
**ECM-322BC**  
Headset Microphone



**F-112**  
Dynamic Microphone



**DMX-P01**  
Digital Portable Mixer



**A-8278-057-B**  
Mounting Bracket

# Specifications

System specifications	
Sampling frequency	48 kHz
Quantization bit length	24 bit
Reference input level (at 0-dB audio attenuator level)	MIC -58 dBu, 1 kHz (-60 dBV, 1 kHz) LINE +4 dBu, 1 kHz
Reference output level	Analog output -58 dBu AES/EBU output -36 dBFS/-20 dBFS switchable
Maximum output level	Analog output -22 dBu AES/EBU output 0 dBFS
Frequency response	20 Hz to 20 kHz
Dynamic range	106 dB typical (A-weighted, T.H.D=1%)
Distortion (T.H.D)	0.03% or less
Modulation method	$\pi/4$ Shift QPSK
Audio delay	3.6 ms
Remote control	2.4 GHz IEEE802.15.4 compliant
USB	USB 2.0 compliant

DWT-B01	
Transmitting section	
Oscillator	Crystal controlled PLL synthesizer
Carrier frequency range	U3040 566 to 607 MHz (TV 30 to 36 channels) 615 to 638 MHz (TV 38 to 41 channels) U4250 638 to 698 MHz (TV 42 to 51 channels) CE6267 798 to 822 MHz (TV 62 to 64 channels) 838 to 862 MHz (TV 67 to 69 channels)
Channel step	U3040/U4250 125 kHz CE6267 25 kHz
RF power output	1 mW/10 mW/50 mW (e.r.p.) selectable
Occupied RF bandwidth	192 kHz
Audio delay	1.5 ms

Audio section	
Maximum input level	MIC -22 dBu (with 0 dB attenuator) LINE +24 dBu
Audio attenuator adjustment range (pad)	0 to 48 dB (3 dB steps, MIC input mode only)
Input connector	Sony 4-pin (SMC9-4S) (x1)
Input impedance	4 k $\Omega$ or more
General	
Operating voltage	DC 3.0 V, (two LR6 AA-size alkaline batteries)
Battery life	Approx. 4 hours at 10 mW output (at 77 °F (25 °C), with Sony LR6 AA-size alkaline batteries)
Dimensions (W x H x D)	Approx. 2 1/2 x 2 7/8 x 1 1/16 inches (63 x 73 x 17 mm ) excluding projection
Weight	Approx. 4 oz (125 g) including batteries
Supplied accessories	Soft case (x1), Spare battery case (x1), Microphone cable (4-pin to XLR-3-pin) (x1), USB adapter cable (x1), USB cable (x1), Carrying case (x1), Frequency list (x1), Operating instructions (x1)

DWR-S01D	
Tuner section	
Type of reception	Space diversity
Circuit system	Dual conversion superheterodyne
Receiving frequency range*	U3032 566 to 590 MHz (TV 30 to 33 channels) U4244 638 to 662 MHz (TV 42 to 45 channels) CE62 798 to 822 MHz (TV 62 to 64 channels) CE67 838 to 862 MHz (TV 67 to 69 channels)
Channel step	U3032/U4244 125 kHz CE62/CE67 25 kHz
Local oscillators	PLL synthesizer
RF input terminal	BNC-R, 50 $\Omega$
Sensitivity	20 dB $\mu$ or less (at bit error rate=1 x 10 <sup>-6</sup> )
Audio delay	2.1 ms
Audio section	
Audio output connector	D-sub 15-pin (x1)
General	
Dimensions (W x H x D)	Approx. 3 1/2 x 4 5/8 x 1 1/4 inches (88 x 117.8 x 31.3 mm) excluding projection
Weight	Approx. 9 oz (280 g)
Supplied accessories	Whip antenna (x2), USB cable adapter (x1), USB cable (x1), Frequency list (x1), Operating instructions (x1)

DWA-01D	
Audio section	
Output connector	Sony 4-pin (SMC9-4S) (x2) (OUTPUT1, OUTPUT2)
Analog audio output impedance	150 $\Omega$ or less
AES/EBU audio output impedance	75 $\Omega$
WORD SYNC input	BNC-R, 75 $\Omega$ , lockable range: 32 to 54 kHz
Monitor output connector	$\phi$ 3.5 mm stereo mini-jack
Monitor output level	5 mW (at 16 $\Omega$ load, T.H.D=1%)
General	
Power requirements	DC 12 V
Operating voltage	DC 3.6 to 17 V
Dimensions (W x H x D)	Approx. 3 1/2 x 5 1/2 x 1 1/4 inches (88 x 138 x 31.5 mm) excluding projection
Weight	Approx. 8 oz (250 g)
Supplied accessories	Audio cable (x2), DC cable (x1), Mount plate kit (x1), Operating instructions (x1)

\* The DWR-S01D receiver supports a 24-MHz band RF carrier frequency range. When using the DWR-S01D receiver in either the 590.125 to 607.875 MHz (TV 34 to 36 channels), 614.125 to 637.875 MHz (TV 38 to 41 channels) or 662.125 to 697.875 MHz (TV 46 to 51 channels) frequency range, please contact your nearest Sony office or authorized dealer.



Sony Electronics Inc.  
1 Sony Drive  
Park Ridge, NJ 07656  
www.sony.com/ProAudio

A-1167 (MK10451V1OHB07OCT)

©2007 Sony Electronics Inc. All rights reserved.  
Reproduction in whole or in part without written permission is prohibited.  
Features and specifications are subject to change without notice.  
All non-metric weights and measurements are approximate.  
Sony, HDCAM, XDCAM, Digital Betacam,  
and MPEG IMX are trademarks of Sony.

Printed in USA (10/07)