

## 5800Micra

### WIRELESS RECESSED TRANSMITTER



Honeywell's 5800Micra recessed transmitter is a reed switch magnet contact transmitter that provides concealed protection for a window. It is so small that it virtually disappears once installed. With features including the cleanest, fastest installations, a battery life of up to 10 years and exceptional range, you'll want to use it on every job where aesthetics and discretion are critical.

## FEATURES

- Smallest wireless recessed transmitter on the market
- Up to 10-year battery life
- Includes rare earth flat magnet
- Eliminates concerns of voiding window manufacturers' warranties

## SPECIFICATIONS

### • Dimensions

Dowel package: 0.75 inches diameter  
Additional info: Dowel Lid 0.85 inches diameter x 0.06 inches thick  
Wire antenna: 11 inches x 0.05 inches diameter (24 gauge)  
Fits cavity depth: 0.33 inches depth

- **Gap** (transmitter to magnet)  
0.50 inches (12.7mm) max

### • Power Source

3.0V Lithium Coin Cell Battery CR1620

### • Transmit Frequency

345 MHz

### • Temperature Range

10° F to 120° F (-12° C to 49° C)

### • Operating Humidity

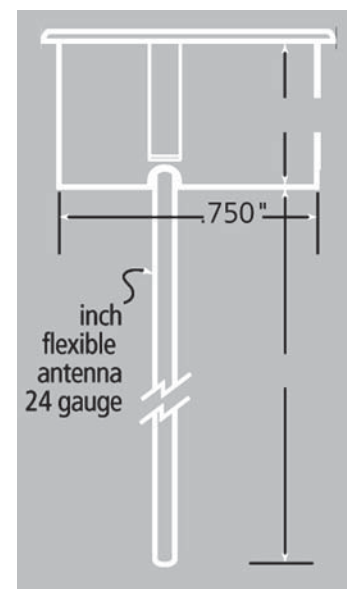
Up to 95% RH (max), non-condensing

### • Compatibility

Compatible with all 5800 series wireless devices

### • Agency Listings

FCC  
CULus (pending)  
IC



# 5800Micra

WIRELESS RECESSED TRANSMITTER

## SPECIFICATIONS

### How to Install

1

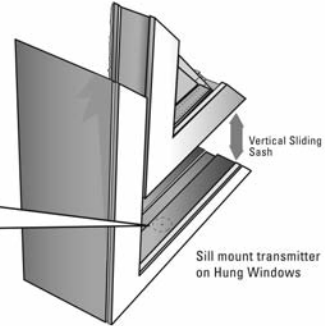
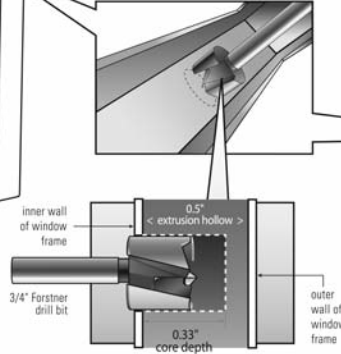
#### Measure and Drill

NOTE: Side mount transmitter on Vinyl Sliders

Horizontal Sliding Sash

Measure 3" down from the inside top corner of the mainframe and mark the center point for the hole to be drilled where the MICRA transmitter will be inserted. Place a corresponding mark also on the sash where the magnet will be placed.

Using a 3/4" Forstner drill bit, drill into the vinyl window mainframe.



Sill mount transmitter on Hung Windows

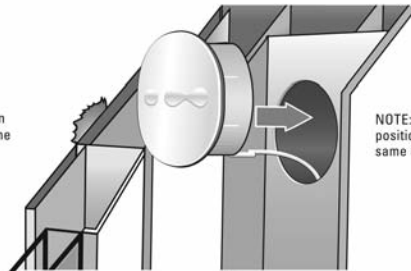
**WARNING:**

Under no circumstances should the outer wall of the window frame be penetrated by the Forstner bit.

2

#### Place and Set

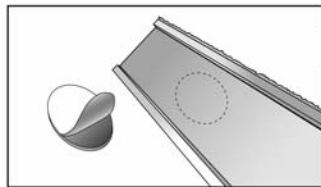
Insert the MICRA's antenna into the extrusion hollow then press the transmitter body into the cored opening.



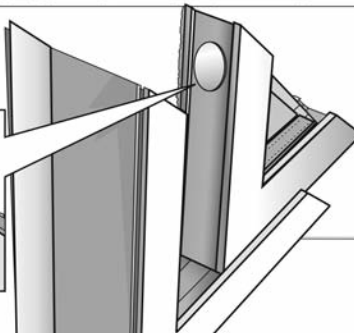
NOTE: It is essential to the systems operation that the positioning of the ION icon on the transmitter point in the same direction as its corresponding sash magnet.

3

#### Sash Magnet Placement



Remove adhesive backing and place on desired location.



MICRA Transmitter

Surface Mount Magnet



NOTE: It is essential to the system's operation that the positioning of the MICRA transmitter point in the same direction as its corresponding magnet.

## ORDERING

5800Micra

5800Micra Wireless Recessed Transmitter

Automation and Control Solutions  
Honeywell Security & Communications  
2 Corporate Center Dr. Suite 100  
P.O. Box 9040  
Melville, NY 11747  
www.honeywell.com

# Honeywell

L/5800MIC/D  
April 2009  
© 2009 Honeywell International Inc.