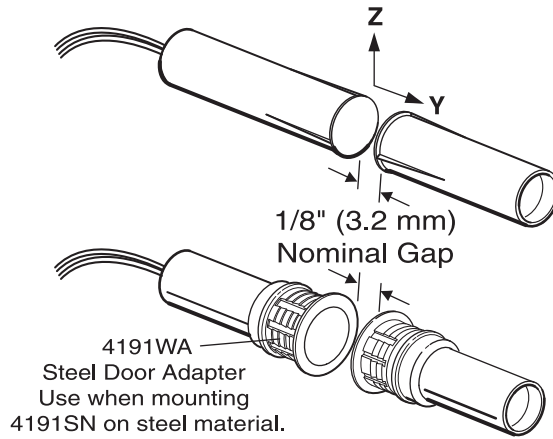


resideo

4191SN-WH



Direction	Mounting Material	MAKE inches / mm	BREAK inches / mm
Y	Non-Ferrous Surface	1.38 / 35	2.24 / 57
	Ferrous Surface	0.20 / 5	0.55 / 14
Z	Non-Ferrous Surface	0.98 / 25	1.57 / 40
	Ferrous Surface	0.20 / 5	0.55 / 14

Note: The listed values for MAKE and BREAK on ferrous material are for reference only. These values were measured on 3mm steel plates, and since the structure of steel doors and windows varies, the MAKE and BREAK gaps will vary with it.

This product complies with: **EN 50131-1:2006, EN 50131-2-6:2008**,
Security Grade 2, Environmental Class II;
For connection to an EN 60950 Class II Limited Power Source



800-10244B Rev. B

Assembled in Mexico

800-10244B_Rev. B_Bag Insert, 4191N