

H.265+ Vandal-proof Mini Dome Network Camera



IP67
IK10

DATASHEET

KEY FEATURES

- ▶ **Smart Stream** (Bandwidth, storage and bit rate save with Smart Stream ON, eg, H.265+ save 70%~80% bandwidth of H.264.)
- ▶ **Advanced Functions** (Boasting to support various advanced functions such as HLC, Defog, ROI.)
- ▶ **Built-in Microphone** (Supporting audio function to hear what is happening in front of the camera.)
- ▶ **SIP** (Session Initiation Protocol. Providing audio/alarm/intercom and video streaming for mobile phones and video phones.)
- ▶ **256G** (Supporting ultra-large external microSD/SDHC/SDXC card storage up to 256G.)

4K Video Viewing Experience

Milesight 4K H.265 Network Camera delivers up to 4K resolution (3840*2160, effectively four times that of Full HD) at 15 frames per second (fps), providing users with ultra-high-definition video viewing experience.



0.002Lux Ultra Low-light

The starlight camera is able to deliver high detailed color images even in low light environment reaching 0.002Lux(Color) or 0Lux(B/W), and near infrared light environments without any supplementary lighting.

140dB Super WDR

Milesight's sensor-based WDR technology allows the camera to record greater scene details with true color reproduction even under the extreme back light and high contrast conditions. The ratio that the brightest light signal values divided by the darkest light signal values is up to 140dB.



Reliable Anti-vibration Performance

Complying with the transportation-industry regulations of EN50155 standard, Milesight Vandal-proof Mini Dome Network Camera is able to offer train specific rugged features to protect the system against environmental factors.

H.265⁺ Vandal-proof Mini Dome Network Camera



	Model	MS-C2973-(R)PB (2MP)	MS-C5373-(H)PB (5MP)	MS-C8173-PB (4K)
Camera	Image Sensor	1/2.8" Progressive Scan CMOS		
	Min. Illumination	Color: 0.002Lux@F1.2 Color: 0.005Lux@F1.6/F2.0 B/W: 0Lux with IR on	Color: 0.005Lux@F1.2 Color: 0.008Lux@F1.6/F2.0 B/W: 0Lux with IR on	Color: 0.01Lux@F1.2 Color: 0.012Lux@F1.6/F2.0 B/W: 0Lux with IR on
	WDR	140dB Super WDR	120dB Super WDR	
	Lens	2.8mm/4mm/6mm@F1.6; 2.8mm@F2.0		
	Mount	M12		
	Field of View	H111°/D128°/V61°(2.8mm@F1.6) H123°/D142°/V68°(2.8mm@F2.0) H91°/D106°/V50°(4mm) H55°/D63°/V32°(6mm)	H105°/D131°/V78°(2.8mm@F1.6) H111°/D141°/V82°(2.8mm@F2.0) H86°/D108°/V63°(4mm) H52°/D63°/V40°(6mm)	H110°/D126°/V60°(2.8mm@F1.6) H124°/D140°/V69°(2.8mm@F2.0) H91°/D106°/V50°(4mm) H55°/D63°/V32°(6mm)
	Shutter Time	1/100000s~1s		
	IR Distance	Up to 30m		
	Day/Night Mode	Day/Night/Auto/Customize/Schedule		
	S/N	>55dB		
Video	Max. Image Resolution	1920x1080	2592x1944	3840x2160
	Primary Stream	60fps@(1920x1080) (Optional for R Series), 30fps@(1920x1080, 1280x960, 1280x720, 704x576)	30fps@(2592x1944), 45fps@(2048x1536), 60fps@(1920x1080) (Optional for H Series), 20fps@(2592x1944), 30fps@(2048x1536, 1920x1080, 1280x960, 1280x720, 704x576)	15fps@(3840x2160), 30fps@(3072x2048, 2592x1944, 2592x1520, 2048x1536, 1920x1080, 1280x960, 1280x720, 704x576)
	Secondary Stream	30fps@(704x576, 640x480, 640x360, 352x288, 320x240, 320x192, 320x180)		
	Tertiary Stream	30fps@(1920x1080, 1280x720, 704x576, 640x480, 640x360, 320x240, 320x192, 320x180)		
	Video Compression	H.265 ⁺ /H.265(HEVC)/H.264 ⁺ /H.264/MJPEG		
	Video Bit Rate	16Kbps~16Mbps(CBR/VBR Adjustable)		
	Privacy Masking	Up to 8 areas		
	ROI	Up to 8 areas		
	Image Setting	Brightness/Contrast/Saturation/Sharpness		
Interface	Ethernet	1*RJ45 10M/100M Ethernet Port		
	Audio I/O	Built-in Microphone; 1/1 (Multi-interface Version)		
	Alarm I/O	1/1 (Multi-interface Version)		
Network	Network Storage	NAS(Support NFS, SMB/CIFS), ANR		
	Protocol	IPv4/IPv6, ARP, TCP, UDP, RTCP, RTP, RTSP, RTMP, HTTP, HTTPS, DNS, DDNS, DHCP, FTP, NTP, SMTP, SNMP, UPnP, Bonjour, SIP, PPPoE, VLAN, 802.1x, QoS, IGMP, ICMP, SSL		

H.265+ Vandal-proof Mini Dome Network Camera

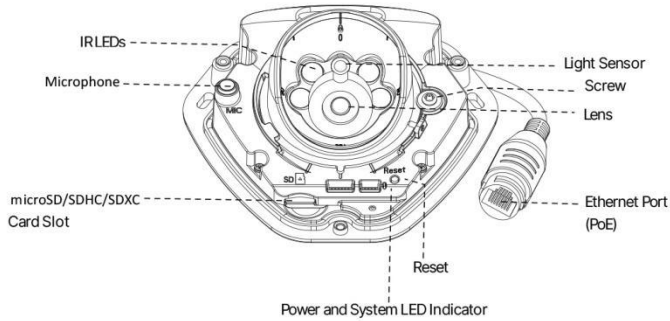


Audio	Audio Compression	G.711/AAC/G.722/G.726		
	Audio Sampling Rate	8/16/32/48KHz	8/16/32/48KHz (32KHz and 48KHz are available for H Series.)	8/16/32/48KHz
	Audio Bit Rate	16~256kbps	16~96kbps, 16~256kbps(Optional for H Series)	16~256kbps
	Two-way Audio	Support		
System	Storage	Support microSD/SDHC/SDXC Card Local Storage, up to 256G		
	Advanced Function	BLC, HLC, 2D DNR, 3D DNR, Defog, AWB, EIS, IP Address Filtering, AGC, Anti-flicker, Corridor Mode, Deblur, Watermark		
	SIP/VoIP Support	Yes, Voice & Video-over-IP		
	Event Trigger	Motion Detection, Network Disconnection, Audio Alarm, etc.;; Motion Detection, Network Disconnection, External Input, Audio Alarm, etc. (Multi-interface Version)		
	Event Action	FTP Upload, SMTP Upload, SD Card Record, SIP Phone, HTTP Notification, etc.;; FTP Upload, SMTP Upload, SD Card Record, External Output, SIP Phone, HTTP Notification, etc. (Multi-interface Version)		
	Video Analysis	Region Entrance, Region Exiting, Advanced Motion Detection, Tamper Detection, Line Crossing, Loitering, Human Detection, People Counting, Object Left, Object Removed		
	System Compatibility	ONVIF Profile G & Q & S & T, API		
General	Working Temperature	-40°C~60°C		
	Working Humidity	0~90%(Non-condensing)		
	Power Supply	PoE (802.3af); PoE (802.3af) / DC 12V ± 10% (Multi-interface Version)		
	Power Consumption	2.5W MAX 5W MAX (With IR on)	2.5W MAX 5.5W MAX (With IR on)	5.2W 6.6W MAX (With IR on)
	Housing	Up to IP67-rated for Weather-resistant Performance; Vandal-proof IK10-rated Metal Housing		
	EN50155	Support		
	Weight	500g		
	Dimensions	118.5mmX110.8mmX65mm		
	Warranty	3/5 Years		

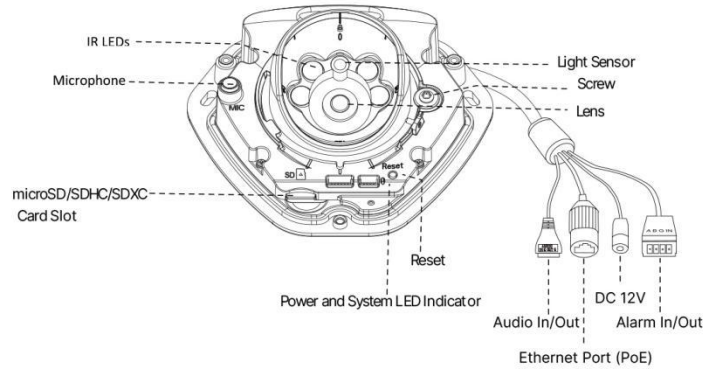
H.265+ Vandal-proof Mini Dome Network Camera



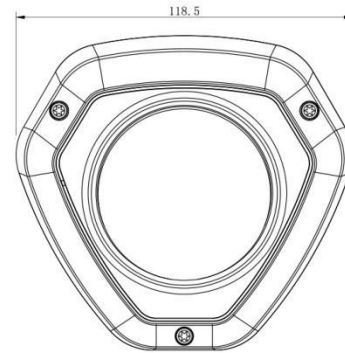
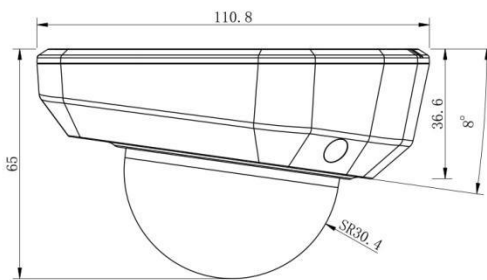
Structure Diagrams



(Default Version)



(Multi-interface Version)



Units: mm

Accessories Support

A01 Pole Mount

Weight: 720g
Dimensions: 170*51.5*152.6mm



A03 External Corner Bracket

Weight: 900g
Dimensions: 170*152.5*76.3mm



A71 Wall Mount

Weight: 530g
Dimensions: 162*124*78 mm



A73 Adapter Plate

Weight: 28g
Dimension: 115*122.5*10mm



A74 Junction Box

Weight: 60g
Dimensions: 121.5*116.5*37.2



Milesight Technology Co., Ltd. | www.milesight.com

Contact Us: sales@milesight.com support@milesight.com

Add: 220 NE 51st Street, Oakland Park, Florida 33334, USA
Tel: +1-800-561-0485

Add: 925, Anyang SK V1 Center, LS-ro 116beon-gil, Dongan-gu, Anyang-si, Korea
Tel: +82-31-990-7732

Add: No.23 Wanghai Road, 2nd Software Park, Xiamen, China
Tel: +86-592-5922772

